

Bianchi

**TECHNICAL
BOOK
2021
COLLECTION**

INDEX

06
ROAD

102
E-BIKES

174
MTB

210
CITY FITNESS

COLOR CONFIGURATOR

TAILOR-MADE DIGITAL PROGRAM

The new Bianchi Configurator allows to select from different Tavolozza color combinations and create unique custom projects. Selected high-end carbon frames are hand-painted and decaled in Italy by expert craftsmen, combining Bianchi's timeless skills of tailoring together with advanced technologies.

AVAILABLE FOR:



SPECIALISSIMA



OLTRE XR4



AQUILA CV



METHANOL CV RS

SIGNATURE COLLECTION

For those who value rarity and aesthetic, Bianchi has created the "Signature Collection": unique colourways for the frame and graphics, prepared and selected by Bianchi creative designers to offer exclusive pieces of art. The Signature Collection program is available for selected models only. For more info visit bianchi.com.

RIDING CONDITIONS CLASSIFICATION

SYMBOL	CATEGORY
	<p>RIDING ON PAVED ROADS</p> <p>This type of use includes bicycles and their components which can be used on paved roads where the tyres are intended to maintain ground contact.</p> <p>In this category: Road, TT/Triathlon, E-Road, E-City, Spillo</p>
	<p>RIDING ON PAVED AND UNPAVED ROADS WITH DROPS OF LESS THAN 15 cm</p> <p>This type of use includes bicycles and their components which can be used in category 1 or unpaved roads (tracks) with moderate gradients. In this type of use, contact with irregular terrain and loss of tyre contact with the ground may occur. Jumps and drops are intended to be less than or equal to 15 cm.</p> <p>In this category: Gravel, cyclocross, e-Gravel, e-TRK bikes, C-Sport</p>
	<p>RIDING ON ROUGH TERRAIN WITH DROPS OF LESS THAN 61 cm</p> <p>This type of use includes bicycles and their components which can be used in categories 1 and 2 or paths, roads and terrain that require technical expertise. Jumps and drops are intended to be less than or equal to 61 cm.</p> <p>In this category: Cross country, e-Mtb hardtail</p>
	<p>RIDING ON ROUGH TERRAIN WITH DROPS OF LESS THAN 122 cm</p> <p>This type of use includes bicycles and their components which can be used in categories 1, 2 and 3 or steep downhill gradients on rough terrain at a speed of less than 40 km/h or a combination of these conditions. Jumps and drops are intended to be less than or equal to 122 cm.</p> <p>In this category: e-Mtb full suspension</p>

Riding categories according to ASTM - American Society for Testing and Materials.

ROAD

RACING
ALL ROUNDER | AERO

ENDURANCE

GRAVEL

CYCLO-CROSS

TT & TRIATHLON



ROAD RANGE OVERVIEW

RACING

ALL-ROUNDER

SPECIALISSIMA / SPRINT

AERO

OLTRE XR4 / OLTRE XR3 / ARIA

ENDURANCE

INFINITO CV / INFINITO XE / VIA NIRONE 7

TT & TRIATHLON

AQUILA CV

CYCLO-CROSS

ZOLDER PRO

GRAVEL

ARCADEX / IMPULSO ALL ROAD / VIA NIRONE 7 ALLROAD

BIKE FIT CHART

HANDLEBAR / STEM / CRANKSET

RACING						ENDURANCE			CYCLO-CROSS			GRAVEL						CRANKSET	
ALL-ROUNDER			AERO																
SPECIALISSIMA SPRINT			OLTRE XR4 OLTRE XR3 ARIA			INFINITO CV INFINITO XE VIA NIRONE 7			ZOLDER PRO			ARCADEX			IMPULSO AR. VIA NIRONE 7 AR.				
Frame size	Stem size	Handlebar size (c-c)	Frame size	Stem size	Handlebar size (c-c)	Frame size	Stem size	Handlebar size (c-c)	Frame size	Stem size	Handlebar size (c-c)	Frame size	Stem size	Handlebar size (c-c)	Frame size	Stem size	Handlebar size (c-c)	Size	Length
44	70	40	44	70	40	44	70											44	165/170
												XS	80	40				XS	170
						46	70											46	170
47	90	40	47	70/90/100	40	47	70	40							47	70	40	47	170
									48	90	40							48	170
												SM	80	40				SM	170
50	90	40	50	90/100	40	50	90	40	50	90	40				50	90	40	50	170
									52	100	42							52	170
53	100	42	53	100/110	40/42	53	90/100	40/42							53	90	40	53	170
												MD	100	42				MD	172,5
									54	100	42							54	172,5
55	110	42	55	110	42	55	100/110	42							55	100	42	55	172,5
												LG	120	42				LG	172,5
									56	110	42							56	172,5
57	110	42	57	110/120	42/44	57	110/120	42							57	110	42	57	172,5
									58	120	44							58	172,5
59	120	42/44	59	120	42/44	59	110/120	42/44							59	110	42	59	172,5
												XL	120	44				XL	175
61	130	44	61	130	44	61	120	44							61	120	44	61	175
						63	130	44							63	120	44	63	175

RACING

ALL ROUNDER

SPECIALISSIMA • SPRINT

AERO

OLTRE XR4 • OLTRE XR3 • ARIA



ALL-ROUNDER

SPECIALISSIMA / SPRINT

The All-round category is for road riders who want to excel everywhere, whether battling in the mountains or sprinting for criterium wins. All-round riders are demanding and performance-minded, and bikes in this category perfectly meet their needs wherever they ride. The category is characterised by lightweight frames, elegant design lines, up-to-the-minute technologies and innovative features with performance goals.

AERO

OLTRE XR4 / OLTRE XR3 / ARIA

Every detail and characteristic of a Bianchi Aero bike is solely focused on speed. Road bikes in this category deliver the type of performance you need to win a Grand Tour stage or set a new personal best on your home roads. The rider who chooses a bike from the Aero category is single-minded and totally driven by speed. The category employs aerodynamically-optimised frame design and innovative integrations to achieve superlative performance.

NEW SPECIALISSIMA



RIDING ON PAVED ROADS

The new Specialissima is built with all-rounders in mind. Projected to achieve your goals and fly up mountains or dominate on the flat. The Specialissima is now available for the first time with the supreme stopping power of disc brakes. Truly special performance, available everywhere.

KEY FEATURES

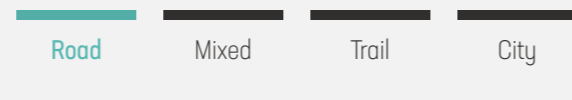
- Full Carbon frame and fork with Bianchi CV
- 1.5" to 1.5" head tube, ACR compatible
- 86.5x41mm BBset
- Fully internal hydraulic cable housing
- Mechanic and Electronic shifting compatible
- Flat mount calipers and thru axle 12x100mm - 12x142mm
- 27.2mm seatpost
- Tire size: up to 700x28
- 7 Sizes: 47, 50, 53, 55, 57, 59, 61cm



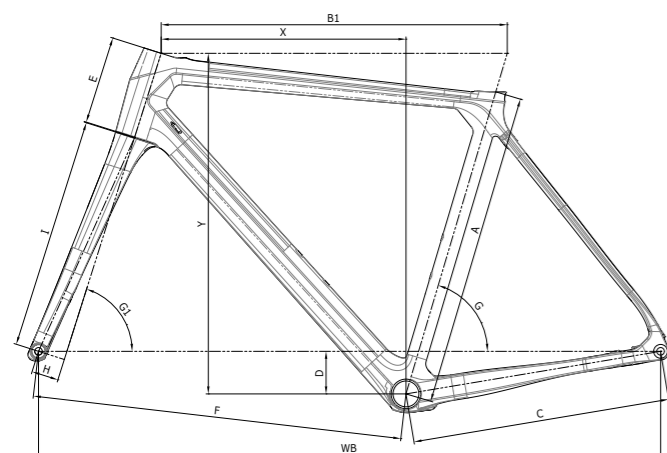
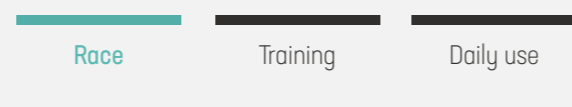
DESIGNED FOR

Pro riders looking for a complete race machine: a light bike with a superbly stiff frame.

COURSE/TERRAIN



ACTIVITY



MIS-SLP													
SIZE	A	B1	C	D	E	F	G	G1	H	I	X	Y	WB
470	426	515	410	58	105	579	74.5°	70.5°	43	368	376	490	979
500	452	525	410	58	110	581	74.5°	71.5°	43	368	384	499	981
530	481	535	410	68	125	582	74°	72°	43	368	385	524	983
550	500	550	410	68	140	587	73.5°	72.5°	43	368	389	540	988
570	520	560	410	68	155	593	73.5°	73°	43	368	395	556	994
590	540	575	412	68	175	603	73°	73°	43	368	398	575	1005
610	560	585	413	68	195	607	72.5°	73°	43	368	398	595	1010

NEW DISC SPECIFIC FULL CARBON FORK



INTEGRATED SEATPOST CLAMP



1.5" TO 1.5" HEAD TUBE

ACR compatible with cable routing for hydraulic brakes hoses and gear cables.



COMPATIBILITY UP TO 700x28 TIRES

for comfort and grip.

SIGNATURE COLLECTION

The new Bianchi Colour Configurator allows you to select from different combinations and create your own Specialissima. All frames are hand-painted in Italy by Bianchi's expert artisans with iridescent and holographic elements.



SUMMERTIME DREAM



CARINA NEBULA



VOLCANO GREY



GOLD / OLIVE



MILKY WAY

SPECIALISSIMA - SUPER RECORD EPS 12SP



CODE	YQBY4
COLOR	SB - Black Carbon UD/Mermaid Scale, SC - CK16/ Mermaid Scale, SJ - Greenish Blue/Mermaid Scale, Tavolozza
FRAME	Specialissima Disc carbon w/Bianchi CV, 1.5" - 1.5" headset, 27,2mm seatpost, mechanical/electronic shifting compatible, PressFit 86,5x41mm BB, internal cable routing for disc brakes, flat mount caliper, thru axle 12x142mm, sizes 47-50-53-55-57-59-61cm
BOLTS / HARDWARE	AL7075-T6 large button head bolts, Torx M5*14mm x 4pcs, Celeste w/Bianchi logo
SEATPOST CLAMP	included in the frame
HEADSET	Fsa NO.55R 1.5"/ACR/Bianchi, lower 1.5" - upper 1.5", 36°-45° ACB bearings, w/Carbon custom top cap specific for Disc ACR stem/handlebar, for 52mm/52mm OD head tube, w/Vision TH-881-1 compressor
FORK	Bianchi Full Carbon w/Bianchi CV, 1.5" integrated head, internal cable routing for disc brake, flat mount caliper, thru axle 12x100mm
SHIFTER	Campagnolo Super Record EPS 2x12sp
REAR DERAILLEUR	Campagnolo Super Record EPS 12sp
FRONT DERAILLEUR	Campagnolo Super Record EPS 12sp braze-on w/FD stiffness increaser
ELECTRIC CABLE	Campagnolo EPS V4 handlebar interface 12sp
BATTERY / MOUNT	Campagnolo EPS V4 12sp Power Unit
CHARGER / PWR CABLE	Campagnolo EPS battery charger kit for EPS V3/V4 12sp Power Unit. EEC, AUS, UK, USA compatible
CRANKSET	Campagnolo Super Record ultra-torque CT TI Carbon 50x34T, Crank Length: 170mm-47/53cm, 172.5mm-55/59cm, 175mm-61cm

BOTTOM BRACKET	Campagnolo Ultra Torque OS-Fit integrated cups 86,5x41mm
CHAIN	Campagnolo Super Record 12sp
CASSETTE / FREEWHEEL	Campagnolo Super Record 12sp, 11-29T
BRAKE	Campagnolo Hydraulic Disc Brakes, flat mount calipers
BRAKE LEVER	included w/shifters
DISC ROTOR	Campagnolo 03 AFS, diam. 160mm
RIM/WHEELSET	Fulcrum Wind 400 DB 2WF C19, full carbon disc brake 700X19c, 40mm profile, clincher and tubeless system, thru axle front 12x100mm, rear 12x142mm
TIRE	Vittoria Corsa G2.0 graphene, 700x25c, 320TPI, Folding, full black
STEM	Fsa NS ACR, ST-OS-160, 3D Forged/CNC AL6061, 31.8mm, rise -6°, Di2 compatible, Ext: 90mm-47/50cm, 100mm-53cm, 110mm-55/57cm, 120mm-59cm, 130mm-61cm
HANDLEBAR	Fsa K-Force Compact, UD Weave Carbon, diam. 31.8mm, drop 125mm, reach 80mm, 4° Outward Bend, Size:400mm-47/50cm, 420mm-53/57cm, 440mm-59/61cm
GRIP / TAPE	Black soft Microfiber taper w/shockproof EVA-139
SEATPOST	Fsa K-Force Light SB25, UD Carbon Monocoque, clamp type 2-Bolt Head "MTC", Setback 25 mm, Length 350mm, 27.2mm, Di2 Battery compatible
SADDLE	Fi'zi:k Argo Vento R1, nylon carbon reinforced shell w/ WingFlex, carbon braided 7x10 rail, 260x140mm



SPECIALISSIMA - DURA ACE DI2 11SP



CODE	YQBY5
COLOR	SB - Black Carbon UD/Mermaid Scale,SC - CK16/ Mermaid Scale,SJ - Greenish Blue/Mermaid Scale, Tavolozza
FRAME	Specialissima Disc carbon w/Bianchi CV, 1.5" - 1.5" headset, 27,2mm seatpost, mechanical/electronic shifting compatible, PressFit 86,5x41mm BB, internal cable routing for disc brakes, flat mount caliper, thru axle 12x142mm, sizes 47-50-53-55-57-59-61cm
BOLTS / HARDWARE	AL7075-T6 large button head bolts, Torx M5*14mm x 4pcs, Celeste w/Bianchi logo
SEATPOST CLAMP	included in the frame
HEADSET	Fsa NO.55R 1.5"/ACR/Bianchi, lower 1.5" - upper 1.5", 36°- 45° ACB bearings, w/Carbon custom top cap specific for Disc ACR stem/handlebar, for 52mm/52mm OD head tube, w/Vision TH-881-1 compressor
FORK	Bianchi Full Carbon w/Bianchi CV, 1.5" integrated head, internal cable routing for disc brake, flat mount caliper, thru axle 12x100mm
SHIFTER	Shimano Dura Ace Di2 ST-R9170 2x11sp
REAR DERAILLEUR	Shimano Dura Ace Di2 RD-R9150 SS 11sp, shadow design, direct attachment, Max 30T
FRONT DERAILLEUR	Shimano Dura Ace Di2 FD-R9150-F, braze-on type
ELECTRIC CABLE	Shimano Junction A EW-RS910, handlebar built-in type, e-tube port X2, charging port X1
CHARGER / PWR CABLE	Shimano Battery charger SM-BCR2, including charging cord for usb
CRANKSET	Shimano Dura Ace FC-R9100 50x34T, Hollowtech II, Crank Length: 170mm-47/53cm, 172.5mm-55/59cm, 175mm-61cm
BOTTOM BRACKET	Shimano SM-BB92-41B, PressFit
CHAIN	Shimano Dura Ace CN-HG901-11

CASSETTE / FREEWHEEL	Shimano Dura Ace CS-R9100, 11-12-13-14-15-17-19-21- 24-27-30T
BRAKE	Shimano BR-R9170 Hydraulic disc brake, flat mount caliper
BRAKE LEVER	included w/shifters
DISC ROTOR	Shimano SM-RT900 Center Lock, diam. 160mm
RIM/WHEELSET	Vision SC40 full carbon disc brake 700X19c, clincher and TLR system, Center Lock, thru axle front 12x100mm, rear 12x142mm, Center Lock
TIRE	Vittoria Corsa G2.0 graphene, 700x25c, 320TPI, Folding, full black
STEM	Fsa NS ACR, ST-OS-160, 3D Forged/CNC AL6061, 31.8mm, rise -6°, Di2 compatible, Ext: 90mm-47/50cm, 100mm-53cm, 110mm-55/57cm, 120mm-59cm, 130mm- 61cm
HANDLEBAR	Fsa K-Force Compact, UD Weave Carbon, diam. 31.8mm, drop 125mm, reach 80mm, 4° Outward Bend, Size:400mm-47/50cm, 420mm-53/57cm, 440mm- 59/61cm
GRIP / TAPE	Black soft Microfiber taper w/shockproof EVA-139
SEATPOST	Fsa K-Force Light SB25, UD Carbon Monocoque, clamp type 2-Bolt Head "MTC", Setback 25 mm, Length 350mm, 27.2mm, Di2 Battery compatible
SADDLE	Fi'zi:k Argo Vento R1, nylon carbon reinforced shell w/ WingFlex, carbon braided 7x10 rail, 260x140mm



SPECIALISSIMA - ULTEGRA DI2 11SP



CODE	YQBY6
COLOR	SB - Black Carbon UD/Mermaid Scale,SC - CK16/ Mermaid Scale,SJ - Greenish Blue/Mermaid Scale, Tavolozza
FRAME	Specialissima Disc carbon w/Bianchi CV, 1.5" - 1.5" headset, 27,2mm seatpost, mechanical/electronic shifting compatible, PressFit 86,5x41mm BB, internal cable routing for disc brakes, flat mount caliper, thru axle 12x142mm, sizes 47-50-53-55-57-59-61cm
BOLTS / HARDWARE	AL7075-T6 large button head bolts, Torx M5*14mm x 4pcs, Celeste w/Bianchi logo
SEATPOST CLAMP	included in the frame
HEADSET	Fsa NO.55R 1.5"/ACR/Bianchi, lower 1.5" - upper 1.5", 36°- 45° ACB bearings, w/Carbon custom top cap specific for Disc ACR stem/handlebar, for 52mm/52mm OD head tube, w/Vision TH-881-1 compressor
FORK	Bianchi Full Carbon w/Bianchi CV, 1.5" integrated head, internal cable routing for disc brake, flat mount caliper, thru axle 12x100mm
SHIFTER	Shimano Ultegra Di2 ST-R8070 2x11sp
REAR DERAILLEUR	Shimano Ultegra Di2 RD-R8050 SS 11sp, top normal Shadow Design, direct attachment, Max 30T
FRONT DERAILLEUR	Shimano Ultegra Di2 FD-R8050, brazed-on type
ELECTRIC CABLE	Shimano Junction A EW-RS910, handlebar built-in type, e-tube port X2, charging port X1
CHARGER / PWR CABLE	Shimano Battery charger SM-BCR2, including charging cord for usb
CRANKSET	Shimano Ultegra FC-R8000 50x34T, Hollowtech II, Crank Length: 170mm-47/53cm, 172.5mm-55/59cm, 175mm-61cm
BOTTOM BRACKET	Shimano SM-BB72-41B, PressFit
CHAIN	Shimano Ultegra CN-HG701-11, 11sp

CASSETTE / FREEWHEEL	Shimano Ultegra CS-R8000, 11-12-13-14-15-17-19-21- 24-27-30T
BRAKE	Shimano BR-R8070 Hydraulic disc brake, flat mount calipers
BRAKE LEVER	included w/shifters
DISC ROTOR	Shimano SM-RT800 Center Lock, diam. 160mm
RIM/WHEELSET	Fulcrum Racing 418 disc brake, R400 aluminum asymmetric rims 622x17c, tubeless ready, 34mm profile, thru axle front 12x100mm - rear 12x142mm, Center Lock AFS
TIRE	Vittoria Corsa G2.0 graphene, 700x25c, 320TPI, Folding, full black
STEM	Fsa NS ACR, ST-OS-160, 3D Forged/CNC AL6061, 31.8mm, rise -6°, Di2 compatible, Ext: 90mm-47/50cm, 100mm-53cm, 110mm-55/57cm, 120mm-59cm, 130mm- 61cm
HANDLEBAR	Fsa K-Force Compact, UD Weave Carbon, diam. 31.8mm, drop 125mm, reach 80mm, 4° Outward Bend, Size:400mm-47/50cm, 420mm-53/57cm, 440mm- 59/61cm
GRIP / TAPE	Black soft Microfiber taper w/shockproof EVA-139
SEATPOST	Fsa K-Force Light SB25, UD Carbon Monocoque, clamp type 2-Bolt Head "MTC", Setback 25 mm, Length 350mm, 27.2mm, Di2 Battery compatible
SADDLE	Fi'zi:k Argo Vento R1, nylon carbon reinforced shell w/ WingFlex, carbon braided 7x10 rail, 260x140mm



SPECIALISSIMA - RED ETAP AXS 12SP



CODE	YQBY8
COLOR	SB - Black Carbon UD/Mermaid Scale,SC - CK16/ Mermaid Scale,SJ - Greenish Blue/Mermaid Scale, Tavolozza
FRAME	Specialissima Disc carbon w/Bianchi CV, 1.5" - 1.5" headset, 27,2mm seatpost, mechanical/electronic shifting compatible, PressFit 86,5x41mm BB, internal cable routing for disc brakes, flat mount caliper, thru axle 12x142mm, sizes 47-50-53-55-57-59-61cm
BOLTS / HARDWARE	AL7075-T6 large button head bolts, Torx M5*14mm x 4pcs, Celeste w/Bianchi logo
SEATPOST CLAMP	included in the frame
HEADSET	Fsa NO.55R 1.5"/ACR/Bianchi, lower 1.5" - upper 1.5", 36°- 45° ACB bearings, w/Carbon custom top cap specific for Disc ACR stem/handlebar, for 52mm/52mm OD head tube, w/Vision TH-881-1 compressor
FORK	Bianchi Full Carbon w/Bianchi CV, 1.5" integrated head, internal cable routing for disc brake, flat mount caliper, thru axle 12x100mm
SHIFTER	Sram Red eTap AXS D1 2x12sp
REAR DERAILLEUR	Sram Red eTap AXS D1 12sp
FRONT DERAILLEUR	Sram Red eTap AXS D1, brazed on type
BATTERY / MOUNT	Sram eTap EP Powerpack, 2 batteries
CHARGER / PWR CABLE	Included w/battery
CRANKSET	Sram Red D1 46x33T, Crank Length: 170mm-47/53cm, 172.5mm-55/59cm, 175mm-61cm
BOTTOM BRACKET	Sram PressFit Road 86,5x41mm
CHAIN	Sram Red D1 12sp
CASSETTE / FREEWHEEL	Sram Red XG-1290 D1 12sp, 10-11-12-13-14-15-16-17-19- 21-24-28T

BRAKE	included w/shifters
DISC ROTOR	Sram Centerline X Road, 160mm
RIM/WHEELSET	Vision SC40 full carbon disc brake 700X19c, clincher and TLR system, Centerlock, thru axle front 12x100mm - rear 12x142mm
TIRE	Vittoria Corsa G2.0 graphene, 700x25c, 320TPI, Folding, full black
STEM	Fsa NS ACR, ST-OS-160, 3D Forged/CNC AL6061, 31.8mm, rise -6°, Di2 compatible, Ext: 90mm-47/50cm, 100mm-53cm, 110mm-55/57cm, 120mm-59cm, 130mm- 61cm
HANDLEBAR	Fsa K-Force Compact, UD Weave Carbon, diam. 31.8mm, drop 125mm, reach 80mm, 4° Outward Bend, Size:400mm-47/50cm, 420mm-53/57cm, 440mm- 59/61cm
GRIP / TAPE	Black soft Microfiber taper w/shockproof EVA-139
SEATPOST	Fsa K-Force Light SB25, UD Carbon Monocoque, clamp type 2-Bolt Head "MTC", Setback 25 mm, Length 350mm, 27.2mm, Di2 Battery compatible
SADDLE	Fi'zi:k Argo Vento R1, nylon carbon reinforced shell w/ WingFlex, carbon braided 7x10 rail, 260x140mm



SPECIALISSIMA - ULTEGRA 11SP



CODE	YQBY7
COLOR	SB - Black Carbon UD/Mermaid Scale,SC - CK16/ Mermaid Scale,SJ - Greenish Blue/Mermaid Scale, Tavolozza
FRAME	Specialissima Disc carbon w/Bianchi CV, 1.5" - 1.5" headset, 27,2mm seatpost, mechanical/electronic shifting compatible, PressFit 86,5x41mm BB, internal cable routing for disc brakes, flat mount caliper, thru axle 12x142mm, sizes 47-50-53-55-57-59-61cm
BOLTS / HARDWARE	AL7075-T6 large button head bolts, Torx M5*14mm x 4pcs, Celeste w/Bianchi logo
SEATPOST CLAMP	included in the frame
HEADSET	Fsa NO.55R 1.5"/ACR/Bianchi, lower 1.5" - upper 1.5", 36°- 45° ACB bearings, w/Carbon custom top cap specific for Disc ACR stem/handlebar, for 52mm/52mm OD head tube, w/Vision TH-881-1 compressor
FORK	Bianchi Full Carbon w/Bianchi CV, 1.5" integrated head, internal cable routing for disc brake, flat mount caliper, thru axle 12x100mm
SHIFTER	Shimano Ultegra ST-R8020 2x11sp, hydraulic discbrake, Shimano Ultegra ST-R8025 2x11sp, smaller lever size for sizes 47/53cm
REAR DERAILLEUR	Shimano Ultegra RD-R8000 SS 11sp, top normal shadow design, direct attachment, Max 25-30T for double
FRONT DERAILLEUR	Shimano Ultegra FD-R8000, down swing, brazed-on type, 61-66°, max chainring 46/53T, CL: 43,5mm
CRANKSET	Shimano Ultegra FC-R8000 50x34T, Crank Length: 165mm-44cm, 170mm-47/53cm, 172.5mm-55/59cm, 175mm-61cm
BOTTOM BRACKET	Shimano SM-BB72-41B, PressFit
CHAIN	Shimano Ultegra CN-HG701-11, 11sp
CASSETTE / FREEWHEEL	Shimano Ultegra CS-R8000, 11-12-13-14-15-17-19-21- 24-27-30T

BRAKE	Shimano BR-R8070 Hydraulic disc brake, flat mount calipers
BRAKE LEVER	included w/shifters
DISC ROTOR	Shimano SM-RT800 Center Lock, diam. 160mm
RIM/WHEELSET	Fulcrum Racing 418 disc brake, R400 aluminum asymmetric rims 622x17c, tubeless ready, 34mm profile, thru axle front 12x100mm - rear 12x142mm, Center Lock AFS
TIRE	Vittoria Corsa G2.0 graphene, 700x25c, 320TPI, Folding, full black
STEM	Fsa NS ACR, ST-OS-160, 3D Forged/CNC AL6061, 31.8mm, rise -6°, Di2 compatible, Ext: 90mm-47/50cm, 100mm-53cm, 110mm-55/57cm, 120mm-59cm, 130mm- 61cm
HANDLEBAR	Fsa Energy SCR Compact, Double Butted and tapered AL7050, 31.8mm, drop 125mm, reach 80mm, 4° Outward Bend, size: 400mm-47/50cm, 420mm-53/57cm, 440mm-59/61cm
GRIP / TAPE	Black soft Microfiber taper w/shockproof EVA-139
SEATPOST	Reparto Corse UD carbon shaft, forged alloy head, 15mm offset, diam. 27,2mm, length 350mm
SADDLE	Fi'zi:k Antares R7, nylon carbon reinforced shell w/ WingFlex, S alloy rail, 274x142mm



SPECIALISSIMA DISC - FRAME KIT



CODE	XQB04
COLOR	SB - Black Carbon UD/Mermaid Scale,SC - CK16/Mermaid Scale,SJ - Greenish Blue/Mermaid Scale,Tavolozza
FRAME	Specialissima Disc carbon w/Bianchi CV, 1.5" - 1.5" headset, 27,2mm seatpost, mechanical/electronic shifting compatible, PressFit 86,5x41mm BB, internal cable routing for disc brakes, flat mount caliper, thru axle 12x142mm, sizes 47-50-53-55-57-59-61cm
BOLTS / HARDWARE	AL7075-T6 large button head bolts, Torx M5*14mm x 4pcs, Celeste w/Bianchi logo
SEATPOST CLAMP	included in the frame
HEADSET	Fsa NO.55R 1.5"/ACR/Bianchi, lower 1.5" - upper 1.5", 36° - 45° ACB bearings, w/Carbon custom top cap specific for Disc ACR stem/handlebar, for 52mm/52mm OD head tube, w/Vision TH-894/CR-1 compressor
FORK	Bianchi Full Carbon w/Bianchi CV, 1.5" integrated head, internal cable routing for disc brake, flat mount caliper, thru axle 12x100mm
STEM	Fsa NS ACR, ST-OS-160, 3D Forged/CNC AL6061, 31.8mm, rise -6°, Di2 compatible, Ext: 90mm-47/50cm, 100mm-53cm, 110mm-55/57cm, 120mm-59cm, 130mm-61cm
HANDLEBAR	Fsa K-Force Compact, UD Weave Carbon, diam. 31.8mm, drop 125mm, reach 80mm, 4° Outward Bend, Size:400mm-47/50cm, 420mm-53/57cm, 440mm-59/61cm



SPECIALISSIMA - FRAME KIT



CODE	XPB27
COLOR	SB - Black Carbon UD/Mermaid Scale,SC - CK16/Mermaid Scale, Tavolozza
FRAME	Specialissima super light carbon with Bianchi CV 1.1/8" > 1.4" headset, seatpost 27,2mm, PressFit 86,5x41mm, sizes 47-50-53-55-57-59-61cm
BOLTS / HARDWARE	AL7075-T6 large button head bolts, Torx M5*14mm x 4pcs, celeste color with Bianchi logo
SEATPOST CLAMP	Carbon Ti X-Clamp 3, AL7075-T6 machined body and Titanium grade 5 M5 Screw, diam. 31.8mm
HEADSET	Fsa NO.44/CF-R, 1.1/8" > 1.4" w/alloy bearings, w/carbon cap 8.7mm, for 47mm/52mm OD head tube
FORK	Bianchi Full Carbon with Bianchi CV, 1.1/8" > 1.4"



SPRINT



RIDING ON PAVED ROADS

The Sprint is worthy of inclusion in Bianchi's Allrounder Racing category, created for those starting out on their journey in competition. Launched in the 1970s, the original Sprint was loved by riders of the time, and is much ad-mired still as an iconic piece of cycling's history.

KEY FEATURES

- Full carbon monocoque frame and fork;
- Racing geometry, UCI Approved;
- Electronic and mechanical shifting compatible;
- Head tube with aero profile;
- Internal cable routing;
- Integrated Seatpost clamp;
- Tapered head Tube 1.1/8"-1.4";
- Integrated Seatpost clamp;
- PressFit 86.4x41mm BB;
- 27.2mm round seatpost;
- SPRINT: Tire size: up to 700x28; weight: 1.080g; 8 Sizes: 44-47-50-53-55-57-59-61cm;
- SPRINT DISC: Flat mount calipers & thru axle 12x 100/142mm; weight 1.100g; tire size up to 700x32 7; sizes: 47-50-53-55-57-59-61cm.

DESIGNED FOR

Expert riders and for those starting their racing career.

COURSE/TERRAIN

Road Mixed Trail City

ACTIVITY

Race Training Daily use

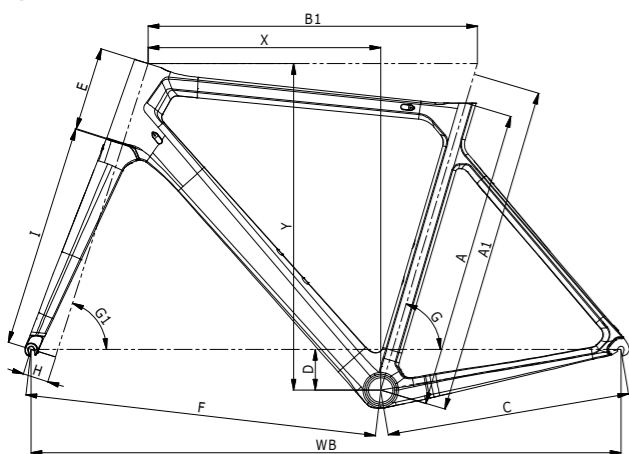
Lightweight	██████████
Design	██████████
Comfort	██████████
Performance	██████████



FULL CARBON FORK

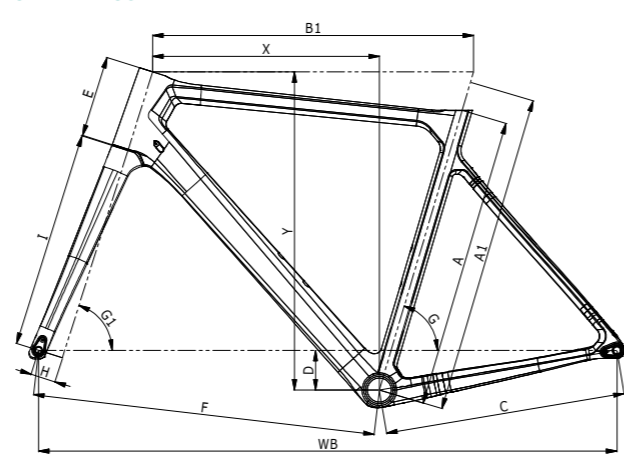
The carbon fork delivers low weight for graceful climbing and agile handling in the turns.

SPRINT



MIS-SLP	AL	A	BL	C	D	E	F	G	GL	H	I	X	Y	WB
440	390	505	405	60	95	574	74.5°	70°	43	373	370	486	971	
470	420	515	405	60	105	580	74.5°	70.5°	43	373	377	497	978	
500	450	525	405	60	110	582	74.5°	71.5°	43	373	383	505	979	
530	480	535	406	68	125	583	74°	72°	43	373	384	529	980	
550	500	550	407	68	140	588	73.5°	73°	43	373	388	545	985	
570	520	560	407	68	155	593	73.5°	73°	43	373	393	561	990	
590	540	575	409	68	175	603	73°	73°	43	373	396	580	1002	
610	560	585	411	68	195	607	72.5°	73°	43	373	397	599	1009	

SPRINT DISC



MIS-SLP	AL	A	BL	C	D	E	F	G	GL	H	I	X	Y	WB
470	420	515	410	60	105	580	74.5°	70.5°	43	373	377	497	982	
500	450	525	410	60	110	582	74.5°	71.5°	43	373	383	505	983	
530	480	535	410	68	125	583	74°	72°	43	373	384	529	984	
550	500	550	413	68	140	588	73.5°	73°	43	373	388	545	991	
570	520	560	413	68	155	593	73.5°	73°	43	373	393	561	996	
590	540	575	413	68	175	603	73°	73°	43	373	396	580	1006	
610	560	585	413	68	195	607	72.5°	73°	43	373	397	599	1012	



CLEARANCE

Sprint frame is compatible with larger volume tires to enhance comfort and grip without affecting rolling efficiency or speed. Disc version can accommodate tires

UP TO 700x32

while caliper model is compatible with

700x28 TIRES.

SPRINT DISC - FORCE ETAP AXS 12SP



CODE	YQBR8
COLOR	SW - Black/Graphite Full Glossy, 1D - CK16 full glossy (Asia program only)
FRAME	Sprint Disc carbon monocoque, mechanical/electronic shifting compatible, PressFit 86,5x41mm, head tube 1.4"-1.1/8", integrated seat clamp, full carbon dropout, flat mount caliper, thru axle 12x142mm, 32mm tires compatible, sizes 47-50-53-55-57-59-61cm
SEATPOST CLAMP	included in the frame
HEADSET	Fsa Orbit C-33, NO.44E, 1.1/8" > 1.14", 45°/45° ACB steel bearings, w/15mm top cap for 47mm/52mm OD head tube
FORK	Bianchi Full Carbon 1.4" > 1.1/8" integrated head, Disc brake flat mount, thru axle 12x100mm
SHIFTER	Sram Force eTap AXS D1 2x12sp
REAR DERAILLEUR	Sram Force eTap AXS D1 12sp
FRONT DERAILLEUR	Sram Force eTap AXS D1, brazed-on
BATTERY / MOUNT	Sram eTap EP Powerpack, 2 batteries
CHARGER / PWR CABLE	Included w/battery
CRANKSET	Sram Force D1 46x33T, Crank Length: 170mm-47/53cm, 172.5mm-55/59cm, 175mm-61cm
BOTTOM BRACKET	Sram PressFit Road 86,5x41mm

CHAIN	Sram Force D1 12sp
CASSETTE / FREEWHEEL	Sram Force XG-1270 D1 12sp, 10-11-12-13-14-15-17-19-21-24-28-33T
BRAKE	Sram Force HydroC
BRAKE LEVER	included w/shifters
DISC ROTOR	Sram centerline Road diam. 160mm
RIM/WHEELSET	Fulcrum Racing 618 disc brake, R600 aluminum asymmetric 622x17c, center lock AFS, thru axle front 12x100mm - rear 12x142mm, XDR body
TIRE	Vittoria Rubino IV 700x28, 60TPI, Folding, G2.0 Graphene, black
STEM	Reparto Corse Alloy 6061, rise +/-7°, 1.1/8", Ext: 90mm-47/50cm, 100mm-53cm, 110mm-55/57cm, 120mm-59cm, 130mm-61cm
HANDLEBAR	Reparto Corse Compact, Flat Top, alloy 6061 diam. 31.8mm, reach 80mm, drop 130mm, Size: 400mm-47/53cm, 420mm-55/59cm, 440mm-61cm
GRIP / TAPE	La Spirale Ribbon cork w/carbon look plugs w/Bianchi logo
SEATPOST	Reparto Corse Alloy 6061 shaft, alloy head, 15mm offset, diam. 27.2mm, Length 350mm
SADDLE	Selle Royal Seta S1, steel rails, 278x144mm



SPRINT DISC - ULTEGRA 11SP



CODE	YQBR4
COLOR	ID - CK16 Glossy, SW - Black/Graphite Full Glossy
FRAME	Sprint Disc carbon monocoque, mechanical/electronic shifting compatible, PressFit 86,5x41mm, head tube 1.4"-1.1/8", integrated seat clamp, full carbon dropout, flat mount caliper, thru axle 12x142mm, 32mm tires compatible, sizes 47-50-53-55-57-59-61cm
SEATPOST CLAMP	included in the frame
HEADSET	Fsa Orbit C-33, NO.44E, 1.1/8"x1.14", 45°/45° ACB steel bearings, w/15mm top cap for 47mm/52mm OD head tube
FORK	Bianchi Full Carbon 1.4"x1.1/8" integrated head, Disc brake flat mount, thru axle 12x100mm
SHIFTER	Shimano Ultegra ST-R8020 2x11sp, hydraulic disc brake, Shimano Ultegra ST-R8025 2x11sp, smaller lever size for sizes 47/53cm
REAR DERAILLEUR	Shimano Ultegra RD-R8000 GS 11sp, top normal shadow design, direct attachment, compatible with low gear 28-34T
FRONT DERAILLEUR	Shimano Ultegra FD-R8000, down swing, brazed-on type, 61-66°, max chainring 46/53T, CL: 43.5mm
CRANKSET	Shimano Ultegra FC-R8000 50x34T, Crank Length: 170mm-47/53cm, 172.5mm-55/59cm, 175mm-61cm
BOTTOM BRACKET	Shimano SM-BB71-41B
CHAIN	Kmc X11-1 EPT finish, 11sp
CASSETTE / FREEWHEEL	Shimano 105 CS-R7000, 11-12-13-14-16-18-20-22-25-28-32T
BRAKE	Shimano BR-R8070 Hydraulic disc brake, flat mount calipers
BRAKE LEVER	included w/shifters

DISC ROTOR	Shimano SM-RT70, Center Lock, with Ice Technology, diam. 160mm
RIM/WHEELSET	Vision Team 30 alloy, C19 disc brake clincher 622x19C, 30mm profile, thru axle front 12x100mm, rear 12x142mm
TIRE	Vittoria Rubino IV 700x28, 60TPI, Folding, G2.0 Graphene, black
STEM	Reparto Corse Alloy 6061, rise +/-7°, 1.1/8", Ext: 90mm-47/50cm, 100mm-53cm, 110mm-55/57cm, 120mm-59cm, 130mm-61cm
HANDLEBAR	Reparto Corse Compact, Flat Top, alloy 6061 diam. 31.8mm, reach 80mm, drop 130mm, Size: 400mm-47/53cm, 420mm-55/59cm, 440mm-61cm
GRIP / TAPE	Cork w/Bianchi logo
SEATPOST	Reparto Corse Alloy 6061 shaft, alloy head, 15mm offset, diam. 27.2mm, Length 350mm
SADDLE	Selle Royal Seta S1, steel rails, 278x144mm



SPRINT DISC - 105 11SP



THE IMAGE SHOWN IS INDICATIVE ONLY. Components and graphic details may differ from the actual model.

CODE	YQBR5
COLOR	ID - CK16 full glossy, SW - Black/Graphite full glossy
FRAME	Sprint Disc carbon monocoque, mechanical/electronic shifting compatible, PressFit 86,5x41mm, head tube 1.4"-1.1/8", integrated seat clamp, full carbon dropout, flat mount caliper, thru axle 12x142mm, 32mm tires compatible, sizes 47-50-53-55-57-59-61cm
SEATPOST CLAMP	included in the frame
HEADSET	Fsa Orbit C-33, NO.44E, 1.1/8"x1.14", 45°/45° ACB steel bearings, w/15mm top cap for 47mm/52mm OD head tube
FORK	Bianchi Full Carbon 1.4"x1.1/8" integrated head, Disc brake flat mount, thru axle 12x100mm
SHIFTER	Shimano 105 ST-R7020 2x11sp, Hydraulic disc brake, Shimano 105 ST-R7025 2x11sp smaller lever size for sizes 47/53cm
REAR DERAILLEUR	Shimano 105 RD-R7000 GS 11sp, top normal shadow design, direct attachment
FRONT DERAILLEUR	Shimano 105 FD-R7000-L, down-swing, brazed on type, 61-66°, for 46/53T CL 43.5mm
CRANKSET	Shimano 105 FC-R7000 50x34T, Crank Length: 170mm-47/53cm, 172.5mm-55/59cm, 175mm-61cm
BOTTOM BRACKET	Shimano SM-BB71-41B
CHAIN	Kmc X11-1 EPT finish, 11sp
CASSETTE / FREEWHEEL	Shimano 105 CS-R7000, 11-12-13-14-16-18-20-22-25-28-32T
BRAKE	Shimano 105 BR-R7070, hydraulic disc brake, flat mount calipers

BRAKE LEVER	included w/shifters
DISC ROTOR	Shimano SM-RT70, Center Lock, with Ice Technology, diam. 160mm
RIM/WHEELSET	Vision Team 30 alloy, C19 disc brake clincher 622x19C, 30mm profile, thru axle front 12x100mm, rear 12x142mm
TIRE	Vittoria Rubino IV 700x28, 60TPI, Folding, G2.0 Graphene, black
STEM	Reparto Corse Alloy 6061, rise +/-7°, 1.1/8", Ext: 90mm-47/50cm, 100mm-53cm, 110mm-55/57cm, 120mm-59cm, 130mm-61cm
HANDLEBAR	Reparto Corse Compact, Flat Top, alloy 6061 diam. 31.8mm, reach 80mm, drop 130mm, Size: 400mm-47/53cm, 420mm-55/59cm, 440mm-61cm
GRIP / TAPE	La Spirale Ribbon cork w/carbon look plugs w/Bianchi logo
SEATPOST	Reparto Corse Alloy 6061 shaft, alloy head, 15mm offset, diam. 27.2mm, Length 350mm
SADDLE	Selle Royal Seta S1, steel rails, 278x144mm



SPRINT - 105 11SP

CODE	YQBR3
COLOR	ID - CK16 glossy, SW - Black/Graphite glossy
FRAME	Sprint carbon monocoque, PressFit 86.5x41mm, mechanical and electronic shifting compatible, 28mm tires compatible, sizes 44-47-50-53-55-57-59-61cm
SEATPOST CLAMP	Included in the frame
HEADSET	Fsa Orbit C-33, NO.44E, 1.1/8" x 1.14", 45°/45° ACB steel bearings, w/15mm top cap for 47mm/52mm OD head tube
FORK	Bianchi Full Carbon 1.4" x 1.1/8", 28mm tires compatible
SHIFTER	Shimano 105 ST-R7000 2x11sp
REAR DERAILLEUR	Shimano 105 RD-R7000 GS 11sp, top normal shadow design, direct attachment
FRONT DERAILLEUR	Shimano 105 FD-R7000-L, down-swing, brazed on type, 61-66°, for 46/53T CL 43.5mm
CRANKSET	Shimano FC-RS510 50x34T, Crank Length: 165mm-44cm, 170mm-47/53cm, 172.5mm-55/59cm, 175mm-61cm
BOTTOM BRACKET	Shimano SM-BB71-41B
CHAIN	Kmc X11-1 EPT finish, 11sp
CASSETTE / FREEWHEEL	Shimano 105 CS-R7000, 11-12-13-14-16-18-20-22-25-28-32T
BRAKE	Shimano BR-R561-L, shoes R55CT4, black
BRAKE LEVER	included w/shifters
RIM/WHEELSET	Shimano WH-RS100
TIRE	Vittoria Zaffiro Pro V 700x25, 26TPI, G2.0 Folding, black

STEM	Reparto Corse Alloy 6061, rise +/-7°, 1.1/8", Ext: 70mm-44cm, 90mm-47/50cm, 100mm-53cm, 110mm-55/57cm, 120mm-59cm, 130mm-61cm
HANDLEBAR	Reparto Corse Compact, Flat Top, alloy 6061 diam. 31.8mm, reach 80mm, drop 130mm, Size: 400mm-44/53cm, 420mm-55/59cm, 440mm-61cm
GRIP / TAPE	Ribbon cork plug carbon look with Bianchi logo
SEATPOST	Reparto Corse Alloy 6061 shaft, alloy head, 15mm offset, diam. 27.2mm, length: 300mm-44cm, 350mm-47/61cm
SADDLE	Selle Royal Seta S1, steel rails, 278x144mm



OLTRE XR4



RIDING ON PAVED ROADS

Super aerodynamic bike, with rigid frame engineered with Bianchi CV vibration cancelling system to maximize your aero advantage. The most complete extreme racing bike ever created.

KEY FEATURES

- CFD designed aero full carbon HM monocoque frame and fork
- Bianchi CV technology to reduce muscle fatigue and support the best aero position;
- EPS mandrel to control the dimension of pre-shape with smooth internal surface for higher strength after molding process;
- Dedicated handlebar and headset;
- New Metron 5D ACR aero handlebar featuring fully-enclosed cable
- BBset Press fit 86.5 x 41;
- Double compatibility mechanic and electronic groupset;
- Dedicated seatpost system with integrated look and adjustable offset 25mm or -10mm;
- 7 sizes: 47, 50, 53, 55, 57, 59 and 61cm;
- OLTRE XR4: Tapered headtube 1.1/8" to 1.4" and internal cable routing;
- OLTRE XR4 DISC: full internal disc brake cable housing, 1.5" headset.

 COLOR CONFIGURATOR

DESIGNED FOR

Pro riders always on the attack and for those who want to keep the best aero position for longer.

COURSE/TERRAIN

Road Mixed Trail City

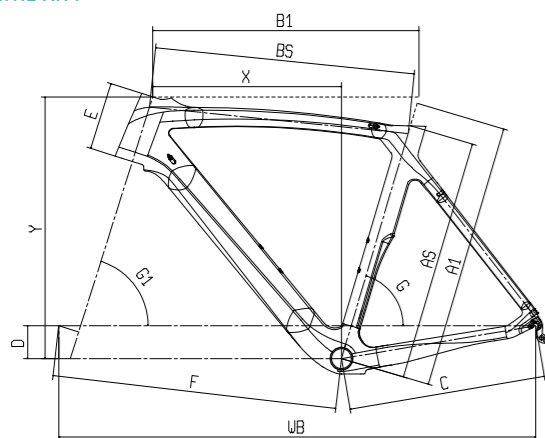
ACTIVITY

Race Training Daily use

Lightweight	
Design	
Comfort	
Performance	

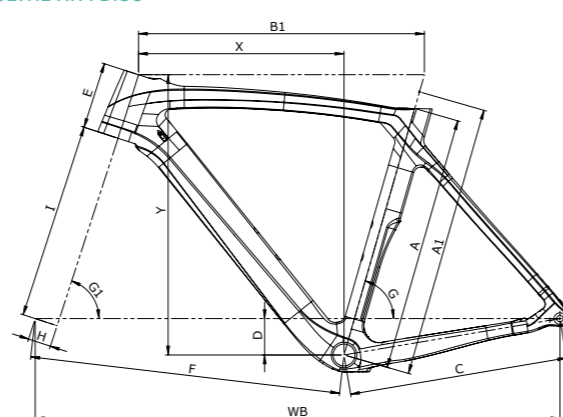


OLTRE XR4



MIS-SLP												
A1	AS	B1	BS	C	D	E	F	G	G1	Y	X	WB
440	400	505	480	400	58	95	575	74.5°	70°	479	372	968
470	420	515	500	400	58	105	579	74.5°	70.5°	490	377	972
500	450	525	515	406	58	110	581	74.5°	71.5°	499	384	973.5
530	480	535	525	406	68	125	582	74°	72°	525	385	978.5
550	500	550	540	407	68	140	588	73.5°	72.5°	541	390	985.5
570	520	560	550	407	68	155	593	73.5°	73°	557	395	991
590	540	575	565	409	68	175	603	73°	73°	576	398	1002.5
610	560	585	575	411	68	195	607	72.5°	73°	495	399	1009

OLTRE XR4 DISC



MIS-SLP													
A1	A	B1	C	D	E	F	G	G1	H	I	X	Y	WB
470	420	513	410	58	105	579	74.5°	70.5°	43	368	377	490	982
500	450	523	410	58	110	581	74.5°	71.5°	43	368	385	498	983
530	480	535	410	68	125	582	74°	72°	43	368	385	524	984
550	501	550	410	68	140	588	73.5°	72.5°	43	368	390	545	988
570	520	560	412	68	155	593	73.5°	73°	43	368	395	556	995
590	540	575	412	68	175	603	73°	73°	43	368	398	575	1005
610	560	585	414	68	195	607	72.5°	73°	43	368	398	594	1011

POWER. PRECISION. CONTROL.



FULL AERO PERFORMANCE

The Bianchi engineers used Computational Fluid Dynamic (CFD), to refine and optimize every aspect of the wind tunnel tested Oltre XR4 frameset, to ensure the new XR4 Disc is a masterpiece of aerodynamic design.



AERO EFFICIENCY

Aero efficiency is key to the Oltre XR4 Disc, and this extends to the new Metron 5D ACR aero handlebar featuring fully-enclosed cable routing through the handlebar itself and stem - for the hydraulic brake hoses and the gear cables.



AERO SEATPOST

Aero seatpost with integrated look and adjustable head clamp offset 25mm or -10mm.



OLTRE XR4 DISC - DURA ACE DI2 IISP



CODE	YQB15
COLOR	5K - CK16/Black Full Glossy, 2R - Black/Graphite Full Glossy, Tavalozza
FRAME	Oltre XR4 Disc carbon w/Bianchi CV, mechanical/electronic shifting compatible, headset 1.5", PressFit BB 86,5x41mm, Disc brake internal cable routing, flat mount, thru axle 12x142mm, sizes 47-50-53-55-57-59-61cm
BOLTS / HARDWARE	AL7075-T6 large button head bolts, Torx M5*14mm x 4pcs, celeste color with Bianchi logo
SEATPOST CLAMP	included in the frame
HEADSET	Fsa Orbit custom 5D ACR, 36° - 45° ACB bearings lower 1.5" - top 1.5", w/UD Carbon top cap specific for Metron Disc integrated handlebar, for 52mm/52mm OD head tube
FORK	Bianchi Full Carbon w/Bianchi CV, Disc, Disc Brake internal cable, thru axle 12x100mm
SHIFTER	Shimano Dura Ace Di2 ST-R9170 2x11sp
REAR DERAILLEUR	Shimano Dura Ace Di2 RD-R9150 SS 11sp, shadow design, direct attachment, Max 30T
FRONT DERAILLEUR	Shimano Dura Ace Di2 FD-R9150-F, braze-on type
ELECTRIC CABLE	Shimano Junction A EW-RS910, handlebar built-in type, e-tube port X2, charging port X1
CHARGER / PWR CABLE	Shimano Battery charger SM-BCR2, including charging cord for usb
CRANKSET	Shimano Dura Ace FC-R9100 50x34T, Hollowtech II, Crank Length: 170mm-47/53cm, 172.5mm-55/59cm, 175mm-61cm
BOTTOM BRACKET	Shimano SM-BB92-41B, PressFit
CHAIN	Shimano Dura Ace CN-HG901-11

CASSETTE / FREEWHEEL	Shimano Dura Ace CS-R9100, 11-12-13-14-15-17-19-21-23-25-28T
BRAKE	Shimano BR-R9170 Hydraulic disc brake, flat mount caliper
BRAKE LEVER	included w/shifters
DISC ROTOR	Shimano SM-RT900 Center Lock, diam. 160mm
RIM/WHEELSET	Vision 55 SC, full carbon disc brake rims 700X19c, clincher and TLR system, thru axle front 12x100mm - rear 12x142mm
TIRE	Vittoria Corsa G2.0 graphene, 700x25c, 320TPI, Folding, full black
STEM	included with handlebar
HANDLEBAR	Vision Metron 5D ACR Disc Integrated Aero bar, Bar/stem Integrated, material UD Weave Carbon, drop 125mm, reach 80mm, Di2 compatible, Ext: 100x400mm-47/50cm, 110x420mm-53/55cm, 120x420mm-57/59cm, 130x440mm-61cm
GRIP / TAPE	Black soft Microfiber taper w/shockproof EVA-139
SEATPOST	Oltre Full Carbon Aero, clamp with alloy head adjustable and reversible +/- 35mm, length: 250mm-47cm, 300mm-50/53cm, 350mm-55/59cm, 380mm-61cm, Setback: 25mm/-10mm
SADDLE	Fi'zi:k Argo Vento R1, nylon carbon reinforced shell w/ WingFlex, carbon braided 7x10 rail, 260x140mm



OLTRE XR4 DISC - DURA ACE 11SP



CODE	YQB16
COLOR	5K - CK16/Black Full Glossy, 2R - Black/Graphite Full Glossy, Tavalozza
FRAME	Oltre XR4 Disc carbon w/Bianchi CV, mechanical/electronic shifting compatible, headset 1.5", PressFit BB 86,5x41mm, Disc brake internal cable routing, flat mount, thru axle 12x142mm, sizes 47-50-53-55-57-59-61cm
BOLTS / HARDWARE	AL7075-T6 large button head bolts, Torx M5*14mm x 4pcs, celeste color with Bianchi logo
SEATPOST CLAMP	included in the frame
HEADSET	Fsa Orbit custom 5D ACR, 36° - 45° ACB bearings lower 1.5" - top 1.5", w/UD Carbon top cap specific for Metron Disc integrated handlebar, for 52mm/52mm OD head tube
FORK	Bianchi Full Carbon w/Bianchi CV, Disc, Disc Brake internal cable, thru axle 12x100mm
SHIFTER	Shimano Dura Ace ST-9120 2x11sp
REAR DERAILLEUR	Shimano Dura Ace RD-R9100 SS 11sp, shadow design, direct attachment
FRONT DERAILLEUR	Shimano Dura Ace FD-R9100 11sp, brazed-on type
CRANKSET	Shimano Dura Ace FC-R9100 50x34T, Hollowtech II, Crank Length: 170mm-47/53cm, 172.5mm-55/59cm, 175mm-61cm
BOTTOM BRACKET	Shimano SM-BB92-41B, PressFit Road
CHAIN	Shimano Dura Ace CN-HG901-11
CASSETTE / FREEWHEEL	Shimano Dura Ace CS-R9100, 11-12-13-14-15-17-19-21-23-25-28T
BRAKE	Shimano BR-R9170 Hydraulic disc brake, flat mount caliper

BRAKE LEVER	included w/shifters
DISC ROTOR	Shimano SM-RT900 Center Lock, diam. 160mm
RIM/WHEELSET	Vision 55 SC, full carbon disc brake rims 700X19c, clincher and TLR system, thru axle front 12x100mm - rear 12x142mm
TIRE	Vittoria Corsa G2.0 graphene, 700x25c, 320TPI, Folding, full black
STEM	included w/handlebar
HANDLEBAR	Vision Metron 5D ACR Disc Integrated Aero bar, Bar/stem Integrated, material UD Weave Carbon, drop 125mm, reach 80mm, Di2 compatible, Ext: 100x400mm-47/50cm, 110x420mm-53/55cm, 120x420mm-57/59cm, 130x440mm-61cm
GRIP / TAPE	Black soft Microfiber taper w/shockproof EVA-139
SEATPOST	Oltre Full Carbon Aero, clamp with alloy head adjustable and reversible +/- 35mm, length: 250mm-47cm, 300mm-50/53cm, 350mm-55/59cm, 380mm-61cm, Setback: 25mm/-10mm
SADDLE	Fi'zi:k Argo Vento R1, nylon carbon reinforced shell w/WingFlex, carbon braided 7x10 rail, 260x140mm



OLTRE XR4 DISC - ULTEGRA DI2 11SP



CODE	YQB17
COLOR	5K - CK16/Black Full Glossy, 2R - Black/Graphite Full Glossy, Tavalozza
FRAME	Oltre XR4 Disc carbon w/Bianchi CV, mechanical/electronic shifting compatible, headset 1.5", PressFit BB 86,5x41mm, Disc brake internal cable routing, flat mount, thru axle 12x142mm, sizes 47-50-53-55-57-59-61cm
BOLTS / HARDWARE	AL7075-T6 large button head bolts, Torx M5*14mm x 4pcs, celeste color with Bianchi logo
SEATPOST CLAMP	included in the frame
HEADSET	Fsa Orbit custom 5D ACR, 36° - 45° ACB bearings lower 1.5" - top 1.5", w/UD Carbon top cap specific for Metron Disc integrated handlebar, for 52mm/52mm OD head tube
FORK	Bianchi Full Carbon w/Bianchi CV, Disc, Disc Brake internal cable, thru axle 12x100mm
SHIFTER	Shimano Ultegra Di2 ST-R8070 2x11sp
REAR DERAILLEUR	Shimano Ultegra Di2 RD-R8050 SS 11sp, top normal Shadow Design, direct attachment, Max 30T
FRONT DERAILLEUR	Shimano Ultegra Di2 FD-R8050, brazed-on type
ELECTRIC CABLE	Shimano Junction A EW-RS910, handlebar built-in type, e-tube port X2, charging port X1
CHARGER / PWR CABLE	Shimano Battery charger SM-BCR2, including charging cord for usb
CRANKSET	Shimano Ultegra FC-R8000 50x34T, Hollowtech II, Crank Length: 170mm-47/53cm, 172.5mm-55/59cm, 175mm-61cm
BOTTOM BRACKET	Shimano SM-BB72-41B, PressFit
CHAIN	Shimano Ultegra CN-HG701-11, 11sp

CASSETTE / FREEWHEEL	Shimano Ultegra CS-R8000, 11-12-13-14-15-17-19-21-23-25-28T
BRAKE	Shimano BR-R8070 Hydraulic disc brake, flat mount calipers
BRAKE LEVER	included w/shifters
DISC ROTOR	Shimano SM-RT800 Center Lock, diam. 160mm
RIM/WHEELSET	Fulcrum Racing 418 disc brake, R400 aluminum asymmetric rims 622x17c, 34mm profile, thru axle front 12x100mm - rear 12x142mm, Center Lock AFS
TIRE	Vittoria Rubino Pro G2.0 graphene, 700x25c, 150TPI, Folding, full Black
STEM	included w/handlebar
HANDLEBAR	Vision Metron 5D ACR Disc Integrated Aero bar, Bar/stem Integrated, material UD Weave Carbon, drop 125mm, reach 80mm, Di2 compatible, Ext: 100x400mm-47/50cm, 110x420mm-53/55cm, 120x420mm-57/59cm, 130x440mm-61cm
GRIP / TAPE	Black soft Microfiber taper w/shockproof EVA-139
SEATPOST	Oltre Full Carbon Aero, clamp with alloy head adjustable and reversible +/- 35mm, length: 250mm-47cm, 300mm-50/53cm, 350mm-55/59cm, 380mm-61cm, Setback: 25mm/-10mm
SADDLE	Fi'zi:k Argo Vento R3, nylon carbon reinforced shell w/WingFlex, K:iium rails, 260x140mm



OLTRE XR4 DISC - RED ETAP AXS 12SP



CODE	YQB09
COLOR	5K - CK16/Black Full Glossy, 2R - Black/Graphite Full Glossy, Tavalozza
FRAME	Oltre XR4 Disc carbon w/Bianchi CV, mechanical/electronic shifting compatible, headset 1.5", PressFit BB 86,5x41mm, Disc brake internal cable routing, flat mount, thru axle 12x142mm, sizes 47-50-53-55-57-59-61cm
BOLTS / HARDWARE	AL7075-T6 large button head bolts, Torx M5*14mm x 4pcs, celeste color with Bianchi logo
SEATPOST CLAMP	included in the frame
HEADSET	Fsa Orbit custom 5D ACR, 36°- 45° ACB bearings lower 1.5"- top 1.5", w/UD Carbon top cap specific for Metron Disc integrated handlebar, for 52mm/52mm OD head tube
FORK	Bianchi Full Carbon w/Bianchi CV, Disc, Disc Brake internal cable, thru axle 12x100mm
SHIFTER	Sram Red eTap AXS D1 2x12sp
REAR DERAILLEUR	Sram Red eTap AXS D1 12sp
FRONT DERAILLEUR	Sram Red eTap AXS D1, brazed on type
BATTERY / MOUNT	Sram eTap EP Powerpack, 2 batteries
CHARGER / PWR CABLE	Included w/battery
CRANKSET	Sram Red D1 46x33T, Crank Length: 170mm-47/53cm, 172.5mm-55/59cm, 175mm-61cm
BOTTOM BRACKET	Sram PressFit Road 86,5x41mm
CHAIN	Sram Red D1 12sp
CASSETTE / FREEWHEEL	Sram Red XG-1290 D1 12sp, 10-11-12-13-14-15-16-17-19-21-24-28T
BRAKE	included w/shifters
DISC ROTOR	Sram Centerline X Road, 160mm

RIM/WHEELSET	Vision 55 SC, full carbon 700x19c disc brake rims, clincher and TLR system, thru axle front 12x100mm - rear 12x142mm, XDR freewheel body
TIRE	Vittoria Corsa G2.0 graphene, 700x25c, 320TPI, Folding, full black
STEM	included w/handlebar
HANDLEBAR	Vision Metron 5D ACR Disc Integrated Aero bar, Bar/stem Integrated, material UD Weave Carbon, drop 125mm, reach 80mm, Di2 compatible, Ext: 100x400mm-47/50cm, 110x420mm-53/55cm, 120x420mm-57/59cm, 130x440mm-61cm
GRIP / TAPE	Black soft Microfiber taper w/shockproof EVA-139
SEATPOST	Oltre Full Carbon Aero, clamp with alloy head adjustable and reversible +/- 35mm, length: 250mm-47cm, 300mm-50/53cm, 350mm-55/59cm, 380mm-61cm, Setback: 25mm/-10mm
SADDLE	Fizik Argo Vento R1, nylon carbon reinforced shell w/WingFlex, carbon braided 7x10 rail, 260x140mm



OLTRE XR4 DISC - FRAME KIT



CODE	XPB02
COLOR	5K - CK16/Black Full Glossy, 2R - Black/Graphite Full Glossy, Tavalozza
FRAME	Oltre XR4 carbon w/Bianchi cv, mechanical/electronic shifting compatible, headset 1.5", PressFit BB 86,5x41mm, disc brake internal cable routing, Flat Mount calipers, thru axle 12x142mm, sizes 47-50-53-55-57-59-61cm
BOLTS / HARDWARE	AL7075-T6 large button head bolts, Torx M5*14mm x 4pcs, celeste color with Bianchi logo
SEATPOST CLAMP	included in the frame
HEADSET	Fsa Orbit w/UD carbon custom Metron 5D ACR compatible top cap, 45°- 45° ACB bearings lower 1.5"- top 1.5"
FORK	Bianchi Full Carbon w/Countervail, Disc, thru axle 12x100mm
STEM	Included with handlebar OPTION STEM: Fsa NS ACR, 3D Forged/CNC AL6061, -6°, Di2 compatible, Ext: 90mm-47/50cm, 100mm-53cm, 110mm-55/57cm, 120mm-59cm, 130mm-61cm
HANDLEBAR	Vision Metron 5D Integrated Aero bar, Bar/stem Integrated, material UD Weave Carbon, drop 125mm, reach 80mm, Di2 compatible, Ext: 100x400mm-47/50cm, 110x420mm-53/55cm, 120x420mm-57/59cm, 130x440mm-61cm OPTION HANDLEBAR: Fsa Energy SCR Compact, AL7050DB, diam. 31.8mm, drop 125mm, reach 80mm, 4° Outward Bend, Size:400mm-47/50cm, 420mm-53/57cm, 440mm-59/61cm
SEATPOST	Oltre Full Carbon Aero; clamp with alloy head adjustable and reversible +/- 35mm, length: 250mm-47cm, 300mm-50/53cm, 350mm-55/59cm, 380mm-61cm, Setback: 25mm/-10mm



OLTRE XR4 - ULTEGRA DI2 11SP



CODE	YQBL9H
COLOR	5K - CK16/Black Full Glossy, 2R - Black/Graphite Full Glossy, Tavalozza
FRAME	Oltre XR4 carbon w/Bianchi CV, mechanical/electronic shifting compatible, head tube 1.4" - 1.1/8", direct mount brakes, PressFit 86,5x41mm BB, sizes 44-47-50-53-55-57-59-61cm
BOLTS / HARDWARE	AL7075-T6 large button head bolts, Torx M5*14mm x 4pcs, celeste color with Bianchi logo
SEATPOST CLAMP	included in the frame
HEADSET	Fsa Orbit C-33 Matt UD Carbon 1.1/8" x 1.1/4", 45° - 45° ACB bearings, w/Carbon custom cap specific for Metron 5D integrated handlebar, for 47mm/52mm OD head tube, NO.44/CF-R/5D
FORK	Bianchi Full Carbon Aero w/Countervail, 1.1/8" x 1.4" integrated head
SHIFTER	Shimano Ultegra Di2 ST-R8050 2x11sp
REAR DERAILLEUR	Shimano Ultegra Di2 RD-R8050 SS 11sp, top normal Shadow Design, direct attachment, Max 30T
FRONT DERAILLEUR	Shimano Ultegra Di2 FD-R8050, brazed-on type
ELECTRIC CABLE	Shimano Junction-A SM-EW90-A, Dura-Ace Di2, E-Tube port X3, charging port X1
CHARGER / PWR CABLE	Shimano Battery charger SM-BCR2, including charging cord for usb
CRANKSET	Shimano Ultegra FC-R8000 50x34T, Hollowtech II, Crank Length: 165mm-44cm, 170mm-47/53cm, 172.5mm-55/59cm, 175mm-61cm
BOTTOM BRACKET	Shimano SM-BB72-41B, PressFit
CHAIN	Shimano Ultegra CN-HG701-11, 11sp
CASSETTE / FREEWHEEL	Shimano Ultegra CS-R8000, 11-12-13-14-15-17-19-21-23-25-28T

BRAKE	Shimano Ultegra BR-R8010, direct mount
BRAKE LEVER	included w/shifters
RIM/WHEELSET	Vision Trimax 35 700x19c, clincher
TIRE	Vittoria Corsa G2.0 graphene, 700x25c, 320TPI, Folding, full black
STEM	included w/handlebar
HANDLEBAR	Vision Metron 5D Integrated Aero bar, UD Weave Carbon, drop 125mm, reach 80mm, Di2 compatible, Ext: 100x400mm-44-50cm, 110x420mm-53/55cm, 120x420mm-57-59cm, 130x440mm-61cm
GRIP / TAPE	Black soft Microfiber taper w/shockproof EVA-139
SEATPOST	Oltre Full Carbon Aero; clamp with alloy head adjustable and reversible +/- 35mm, length: 250mm-44/47cm, 300mm-50/53cm, 350mm-55/59cm, 380mm-61cm, Setback: 25mm/-10mm
SADDLE	Fi'zi:k Argo Vento R3, nylon carbon reinforced shell w/ WingFlex, K:iium rails, 260x140mm



OLTRE XR4 - ULTEGRA 11SP



CODE	YQBL2
COLOR	5K - CK16/Black Full Glossy, 2R - Black/Graphite Full Glossy, Tavalozza
FRAME	Oltre XR4 carbon w/Bianchi CV, mechanical/electronic shifting compatible, head tube 1.4" - 1.1/8", direct mount brakes, PressFit 86,5x41mm BB, sizes 44-47-50-53-55-57-59-61cm
BOLTS / HARDWARE	AL7075-T6 large button head bolts, Torx M5*14mm x 4pcs, celeste color with Bianchi logo
SEATPOST CLAMP	included in the frame
HEADSET	Fsa Orbit C-33 Matt UD Carbon 1.1/8" x 1.1/4", 45° - 45° ACB bearings, w/Carbon custom cap specific for Metron 5D integrated handlebar, for 47mm/52mm OD head tube, NO.44/CF-R/5D
FORK	Bianchi Full Carbon Aero w/Countervail, 1.1/8" x 1.4" integrated head
SHIFTER	Shimano Ultegra ST-R8000 2x11sp
REAR DERAILLEUR	Shimano Ultegra RD-R8000 SS 11sp, top normal shadow design, direct attachment, Max 25-30T for double
FRONT DERAILLEUR	Shimano Ultegra FD-R8000, down swing, brazed-on type, 61-66°, max chainring 46/53T, CL: 43.5mm
CRANKSET	Shimano Ultegra FC-R8000 50x34T, Hollowtech II, Crank Length: 165mm-44cm, 170mm-47/53cm, 172.5mm-55/59cm, 175mm-61cm
BOTTOM BRACKET	Shimano SM-BB72-41B, PressFit
CHAIN	Shimano Ultegra CN-HG701-11, 11sp
CASSETTE / FREEWHEEL	Shimano Ultegra CS-R8000, 11-12-13-14-15-17-19-21-24-27-30T
BRAKE	Shimano Ultegra BR-R8010, direct mount
BRAKE LEVER	included w/shifters

RIM/WHEELSET	Vision Trimax 35 700x19c, clincher
TIRE	Vittoria Corsa G2.0 graphene, 700x25c, 320TPI, Folding, full black
STEM	Reparto Corse, 3D Forged alloy 6061, rise +/-7°, 1.1/8", Ext: 70mm-44/47cm, 90mm-50cm, 100mm-53cm, 110mm-55cm, 120mm-57/61cm
HANDLEBAR	Reparto Corse Aero Compact, alloy 2014 diam. 31.8mm, reach 80mm, drop 130mm, Size: 400mm-44/50cm, 420mm-53/57cm, 440mm-59/61cm
GRIP / TAPE	Black soft Microfiber taper w/shockproof EVA-139
SEATPOST	Oltre Full Carbon Aero; clamp with alloy head adjustable and reversible +/- 35mm, length: 250mm-44/47cm, 300mm-50/53cm, 350mm-55/59cm, 380mm-61cm, Setback: 25mm/-10mm
SADDLE	Fi'zi:k Argo Vento R3, nylon carbon reinforced shell w/ WingFlex, K:iium rails, 260x140mm



OLTRE XR4 - FRAME KIT



CODE	XPB03
COLOR	5K - CK16/Black Full Glossy, 2R-Black/Graphite Full Glossy, Tavolozza
FRAME	Oltre XR.4 Carbon w/Countervail, mechanical/electronic shifting compatible, headset 1.1/8" x 1.1/4", direct mount brakes, BB PressFit 86,5x41mm, sizes 44-47-50-53-55-57-59-61cm
BOLTS / HARDWARE	AL7075-T6 large button head bolts, Torx M5*14mm x 4pcs, celeste color with Bianchi logo
SEATPOST CLAMP	included in the frame
HEADSET	Fsa Orbit C-33, 1.1/8"-1.4", 45°- 45 ACB bearings, w/Carbon custom top cap for normal stem
FORK	Bianchi Full Carbon Aero w/Countervail, 1.1/8" x 1.4" integrated head
SEATPOST	Oltre Full Carbon Aero; clamp with alloy head adjustable and reversible +/- 35mm, length: 250mm-44/47cm, 300mm-50/53cm, 350mm-55/59cm, 380mm-61cm, Setback: 25mm/-10mm



OLTRE XR3



RIDING ON PAVED ROADS

Racing disc frame and fork engineered with Bianchi CV vibration cancelling system. A well-balanced fast road bike with aero profiles, with rigidity and handling you would expect from the ultimate Oltre frame platform. Oltre XR3 extends the availability of the Oltre family to a wider group of cyclists.

KEY FEATURES

- Aero shape disc brake carbon frame with Bianchi CV vibration cancelling system;
- Integrated fork;
- Wider fork blade and rear dropout with flat mount system (Shimano standard)
- Thru axle 12mm x 100/142mm QR51 model with alloy lever
- Compatible with 140mm and 160mm rotor
- Flat mount calipers system;
- Full carbon seatpost, easy to adjust;
- Best performance-to-price ratio;
- 7 sizes: 47, 50, 53, 55, 57, 59 and 61cm.

DESIGNED FOR

Expert riders, road warriors with the need of speed.

COURSE/TERRAIN

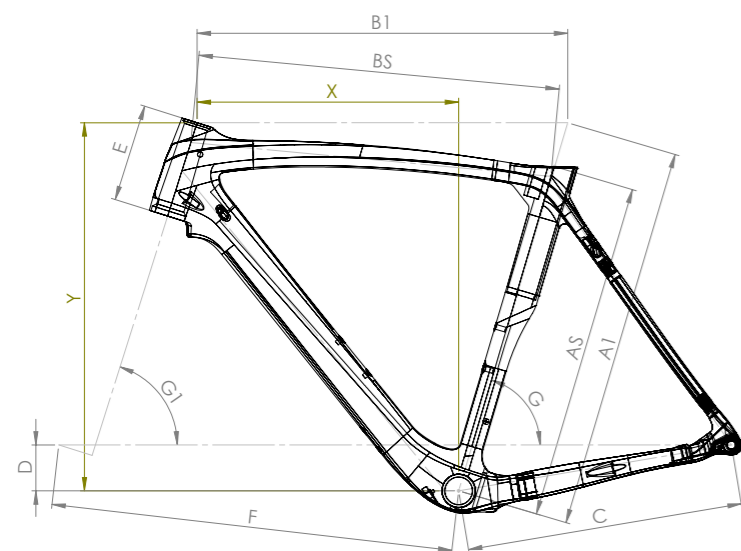
Road Mixed Trail City

ACTIVITY

Race Training Daily use

OTHER

Lightweight	<div style="width: 90%;"></div>
Design	<div style="width: 90%;"></div>
Comfort	<div style="width: 90%;"></div>
Performance	<div style="width: 90%;"></div>

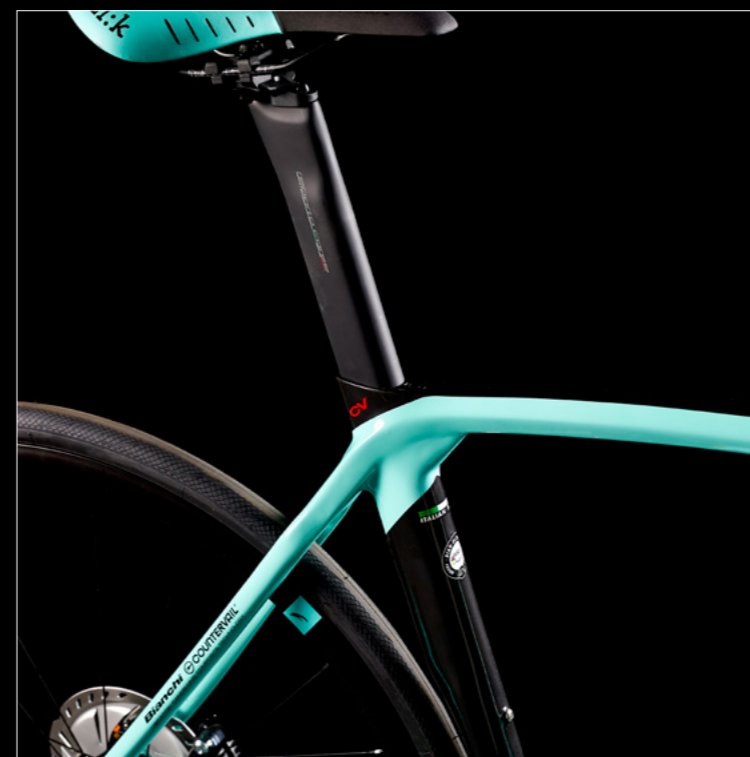


MIS-SLP											
Al	AS	Bl	BS	C	D	E	F	G	G1	Y	X
470	426	512	486	410	59	110	578	74.5°	70.5°	495	375
500	454	523	509	410	59	115	580	74.5°	71.5°	503	382
530	480	534	519	410	68	130	582	74°	72°	529	383
550	501	549	534	410	68	145	587	73.5°	72.5°	546	388
570	519	560	544	410	68	160	593	73.5°	73°	561	393
590	539	575	559	412	68	180	603	73°	73°	580	396
610	559	586	568	414	68	200	603	72.5°	73.5°	601	397



FORK

- Full carbon 1.1/8" to 1.5" with Bianchi CV vibration cancelling system
- Head crown tube 1.5" with integrated design for perfect head tube connection
- Flat mount system (Shimano standard)
- Developed specifically for disc brakes
- Internal hydraulic cable guide housing
- Reactive geometry
- Super rigid
- Weight: 450g



AERO SEATPOST

- Aero seatpost with integrated look and adjustable head clamp offset (25mm or -10mm)
- Hidden seatpost clamp for perfect aerodynamic design and nice looking

OLTRE XR3 DISC - ULTEGRA DI2 11SP



CODE	YQB18
COLOR	5K - CK16/Black Full Glossy, 2R - Black/Graphite Full Glossy
FRAME	Oltre XR3 Disc carbon w/Bianchi CV, mechanical/electronic shifting compatible, PressFit BB 86,5x41mm, flat mount calipers, thru axle 12x142mm, sizes 47-50-53-55-57-59-61cm
SEATPOST CLAMP	included in the frame
HEADSET	Fsa Orbit C-40-ACB ; NO.42/ACB, Sealed ACB Bearings 1.1/8" ACB Top, 1.5" ACB Btm (for 46/56mm Head Tubes), w/15mm alloy cap
FORK	Bianchi Full Carbon w/Bianchi CV Aero Disc, 1.5" x 1.1/8", flat Mount calipers, thru axle 12x100mm
SHIFTER	Shimano Ultegra Di2 ST-R8070 2x11sp
REAR DERAILLEUR	Shimano Ultegra Di2 RD-R8050 SS 11sp, top normal Shadow Design, direct attachment, Max 30T
FRONT DERAILLEUR	Shimano Ultegra Di2 FD-R8050, brazed-on type, w/clamp adapter for FD-R9150-F, SM-AD91, L-size (34.9mm)
ELECTRIC CABLE	Shimano Junction-A SM-EW90-A, Dura-Ace Di2, E-Tube port X3, charging port X1
CHARGER / PWR CABLE	Shimano Battery charger SM-BCR2, including charging cord for usb
CRANKSET	Shimano Ultegra FC-R8000 50x34T, Crank Length: 170mm-47/53cm, 172.5mm-55/59cm, 175mm-61cm
BOTTOM BRACKET	Shimano SM-BB72-41B, PressFit
CHAIN	Shimano Ultegra CN-HG701-11, 11sp
CASSETTE / FREEWHEEL	Shimano Ultegra CS-R8000, 11-12-13-14-15-17-19-21-24-27-30T

BRAKE	Shimano BR-R8070 Hydraulic disc brake, flat mount calipers
BRAKE LEVER	included w/shifters
DISC ROTOR	Shimano SM-RT800 Center Lock, diam. 160mm
RIM/WHEELSET	Fulcrum Racing 418 disc brake, R400 aluminum asymmetric rims 622x17c, tubeless ready, 34mm profile, thru axle front 12x100mm - rear 12x142mm, Center Lock AFS
TIRE	Vittoria Rubino Pro G2.0 graphene, 700x28c, 150TPI, Folding, full Black
STEM	Reparto Corse 3D Forged alloy 6061, rise +/-6°, 1.1/8", Ext: 90mm-47/50cm, 100mm-53cm, 110mm-55/57cm, 120mm-59cm, 130mm-61cm
HANDLEBAR	Reparto Corse Aero Compact, alloy 6061 diam. 31.8mm, reach 74mm, drop 116mm, Size: 400mm-47/53cm, 420mm-55/59cm, 440mm-61cm
GRIP / TAPE	La Spirale Ribbon cork w/carbon look plugs w/Bianchi logo
SEATPOST	Oltre Full Carbon Aero, clamp with alloy head adjustable and reversible +/- 35mm, length: 250mm-47cm, 300mm-50/53cm, 350mm-55/59cm, 380mm-61cm, Setback: 25mm/-10mm
SADDLE	Fi'zi:k Antares R7, microtex cover, nylon carbon reinforced shell w/WingFlex, S alloy rail, 274x142mm



OLTRE XR3 DISC - ULTEGRA 11SP

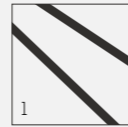


CODE	YQBK7
COLOR	5K - CK16/Black Full Glossy, 2R - Black/Graphite Full Glossy
FRAME	Oltre XR3 Disc carbon w/Bianchi CV, mechanical/electronic shifting compatible, PressFit BB 86,5x41mm, flat mount calipers, thru axle 12x142mm, sizes 47-50-53-55-57-59-61cm
SEATPOST CLAMP	included in the frame
HEADSET	Fsa Orbit C-40-ACB ; NO.42/ACB, Sealed ACB Bearings 1.1/8" ACB Top, 1.5" ACB Btm (for 46/56mm Head Tubes), w/15mm alloy cap
FORK	Bianchi Full Carbon w/Bianchi CV Aero Disc, 1.5" x 1.1/8", flat Mount calipers, thru axle 12x100mm
SHIFTER	Shimano Ultegra ST-R8020 2x11sp, hydraulic discbrake, Shimano Ultegra ST-R8025 2x11sp, smaller lever size for sizes 47/53cm
REAR DERAILLEUR	Shimano Ultegra RD-R8000 SS 11sp, top normal shadow design, direct attachment, Max 25-30T for double
FRONT DERAILLEUR	Shimano Ultegra FD-R8000, down swing, band type (34.9mm), 61-66° for 46/53T cl: 43.5mm
CRANKSET	Shimano Ultegra FC-R8000 50x34T, Crank Length: 170mm-47/53cm, 172.5mm-55/59cm, 175mm-61cm
BOTTOM BRACKET	Shimano SM-BB72-41B, PressFit
CHAIN	Shimano Ultegra CN-HG701-11, 11sp
CASSETTE / FREEWHEEL	Shimano Ultegra CS-R8000, 11-12-13-14-15-17-19-21-24-27-30T
BRAKE	Shimano BR-R8070 Hydraulic disc brake, flat mount calipers
BRAKE LEVER	included w/shifters
DISC ROTOR	Shimano SM-RT800 Center Lock, diam. 160mm

RIM/WHEELSET	Fulcrum Racing 418 disc brake, R400 aluminum asymmetric rims 622x17c, tubeless ready, 34mm profile, thru axle front 12x100mm - rear 12x142mm, Center Lock AFS
TIRE	Vittoria Rubino Pro G2.0 graphene, 700x28c, 150TPI, Folding, full Black
STEM	Reparto Corse 3D Forged alloy 6061, rise +/-6°, 1.1/8", Ext: 90mm-47/50cm, 100mm-53cm, 110mm-55/57cm, 120mm-59cm, 130mm-61cm
HANDLEBAR	Reparto Corse Aero Compact, alloy 6061 diam. 31.8mm, reach 74mm, drop 116mm, Size: 400mm-47/53cm, 420mm-55/59cm, 440mm-61cm
GRIP / TAPE	La Spirale Ribbon cork w/carbon look plugs w/Bianchi logo
SEATPOST	Oltre Full Carbon Aero, clamp with alloy head adjustable and reversible +/- 35mm, length: 250mm-47cm, 300mm-50/53cm, 350mm-55/59cm, 380mm-61cm, Setback: 25mm/-10mm
SADDLE	Fi'zi:k Antares R7, microtex cover, nylon carbon reinforced shell w/WingFlex, S alloy rail, 274x142mm



NEW ARIA



RIDING ON PAVED ROADS

Aerodynamic bike with aero racing shape frame/fork/seatpost. Fast road bike with aero tubes profiles, rigidity and handling you would expect from a true racing bike with an outstanding performance/price ratio.

KEY FEATURES

- Aero shape frame with integrated fork;
- Thru axle 12mm front 100mm and rear OLD 142mm specific dimension model
- QR50 with alloy lever (M12 x P1.5)
- Compatible with 140mm and 160mm rotor
- Full carbon aero seatpost;
- Tapered headtube;
- BBset 86.5 x 41;
- Internal cable routing;
- Double compatibility mechanic and electronic groupset;
- Best performance-to-price ratio;
- 8 sizes: 44, 47, 50, 53, 55, 57, 59, 61cm;
- ARIA: Weight in 55 size: 1.100g (+/- 5%);
- ARIA DISC: Compatible with 140mm and 160mm, internal hydraulic cable guide housing in the frame and fork; weight in 55 size: 1150g target (+/- 5%).

DESIGNED FOR

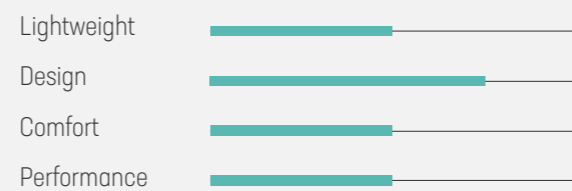
Expert competitive riders looking for a fast aero bike.

COURSE/TERRAIN

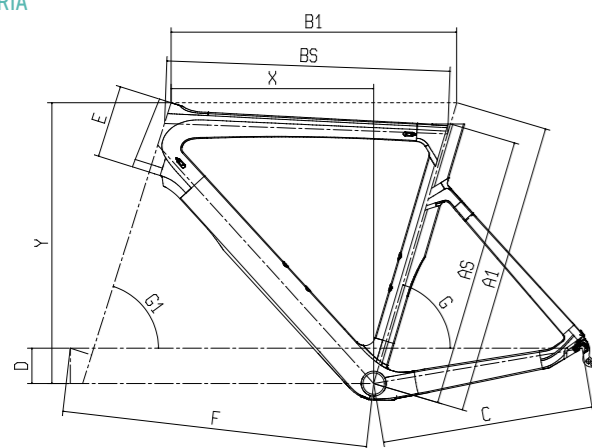
Road Mixed Trail City

ACTIVITY

Race Training Daily use



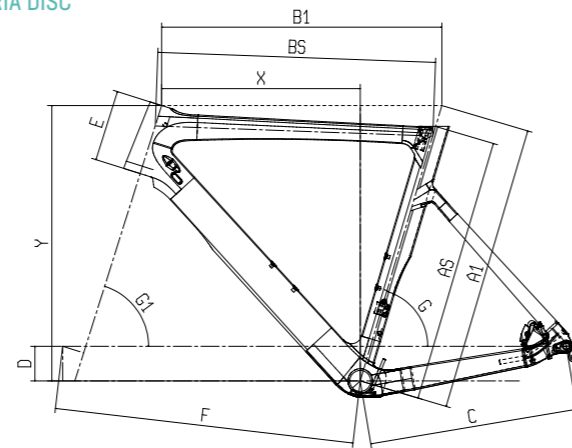
ARIA



MIS-SLP

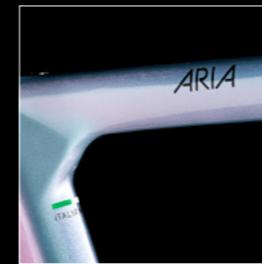
AL	AS	BL	BS	C	D	E	F	G	GL	Y	X
440	420	505	495	410	58	95	575	75°	70.5°	481	376
470	440	515	505	410	58	105	581	74.5°	70.5°	490	379
500	470	525	519	410	58	110	582	74.5°	71.5°	499	387
530	500	535	528	410	68	125	583	74°	72°	525	385
550	520	550	541	410	68	140	588	73.5°	72.5°	541	390
570	540	560	553	410	68	155	593	73.5°	73°	557	395
590	560	575	567	412	68	175	603	73°	73°	576	397
610	580	585	576	414	68	195	607	72.5°	73°	595	398

ARIA DISC



MIS-SLP

AL	AS	BL	BS	C	D	E	F	G	GL	Y	X
440	420	505	495	410	58	95	575	75°	70.5°	481	376
470	440	515	505	410	58	105	581	74.5°	70.5°	490	379
500	470	525	519	410	58	110	582	74.5°	71.5°	499	387
530	500	535	528	410	68	125	583	74°	72°	525	385
550	520	550	541	410	68	140	588	73.5°	72.5°	541	390
570	540	560	553	410	68	155	593	73.5°	73°	557	395
590	560	575	567	412	68	175	603	73°	73°	576	397
610	580	585	576	414	68	195	607	72.5°	73°	595	398



THREE COLOURWAYS EACH WITH ITS OWN MYSTIQUE

2021 Aria colourways represent a new approach from Bianchi, utilising cleaner lines for a sleeker, more streamlined aesthetic. Innovative and atypical approaches show Bianchi has moved into a new phase, with an eye on fashion trends for more complex paintwork and an innate Italian sense of style.

AERO SEATPOST

- Aero seatpost with integrated look and head clamp offset 20mm
- Hidden seatpost clamp for perfect aerodynamic design and nice looking
- Seatpost length:

1. 250mm = 44cm
2. 300mm = 47-50cm
3. 350mm = 53-61cm





CODE	YQB38
COLOR	PX - Summertime Dream/Black
FRAME	Aria Disc carbon, mechanical/electronic shifting compatible, PressFit 86.5x41mm BB, head tube 1.4"-1.1/8", integrated seat clamp, full carbon dropout, flat mount, thru axle 12x142mm, sizes 44-47-50-53-55-57-59-61cm
SEATPOST CLAMP	included in the frame
HEADSET	Fsa Orbit C-33, NO.44E, 1.1/8"x1.14", 45°/45° ACB steel bearings, w/15mm top cap for 47mm/52mm OD head tube
FORK	Bianchi Full Carbon 1.4"x1.1/8" integrated head, Disc brake flat mount, thru axle 12x100mm
SHIFTER	Shimano Ultegra Di2 ST-R8070 2x11sp
REAR DERAILLEUR	Shimano Ultegra Di2 RD-R8050 SS 11sp, top normal Shadow Design, direct attachment, Max 30T
FRONT DERAILLEUR	Shimano Ultegra Di2 FD-R8050, brazed-on type
ELECTRIC CABLE	Shimano Junction-A SM-EW90-A, Dura-Ace Di2, E-Tube port X3, charging port X1
CHARGER / PWR CABLE	Shimano Battery charger SM-BCR2, including charging cord for usb
CRANKSET	Shimano Ultegra FC-R8000 50x34T, Hollowtech II, Crank Length: 165mm-44cm, 170mm-47/53cm, 172.5mm-55/59cm, 175mm-61cm
BOTTOM BRACKET	Shimano SM-BB72-41B, PressFit

CHAIN	Kmc X11-1 EPT finish, 11sp
CASSETTE / FREEWHEEL	Shimano Ultegra CS-R8000, 11-12-13-14-15-17-19-21-24-27-30T
BRAKE	Shimano BR-R8070 Hydraulic disc brake, flat mount calipers
BRAKE LEVER	included w/shifters
DISC ROTOR	Shimano SM-RT800 Center Lock, diam. 160mm
RIM/WHEELSET	Fulcrum Racing 818 disc brake, aluminum C19 2WF-R Tubeless ready rims 622x19c, 34mm profile, thru axle front 12x100mm- rear 12x142mm, center lock AFS
TIRE	Vittoria Rubino IV 700x28, 60TPI, Folding, G2.0Graphene, black
STEM	Reparto Corse 3D Forged alloy 6061, rise -8°, 1.1/8", Ext: 70mm-44cm, 90mm-47/50cm, 100mm-53cm, 110mm-55/57cm, 120mm-59cm, 130mm-61cm
HANDLEBAR	Reparto Corse Aero Compact, alloy 6061 diam. 31.8mm, reach 74mm, drop 116mm, Size: 400mm-44/53cm, 420mm-55/59cm, 440mm-61cm
GRIP / TAPE	La Spirale Ribbon cork w/carbon look plugs w/Bianchi logo
SEATPOST	Aria Full Carbon Aero, clamp with alloy head adjustable and reversible +/- 35mm; length: 250mm-44cm, 300mm-47/50cm, 350mm-53/61cm
SADDLE	Selle Royal Seta S1, steel rails, 278x144mm



ARIA DISC - ULTEGRA 11SP



CODE	YQB9D
COLOR	5K - CK16/Black Full Glossy, PX - Summertime dream/Black
FRAME	Aria Disc carbon, mechanical/electronic shifting compatible, PressFit 86,5x41mm BB, head tube 1.4"-1.1/8", integrated seat clamp, full carbon dropout, flat mount, thru axle 12x142mm, sizes 44-47-50-53-55-57-59-61cm
SEATPOST CLAMP	included in the frame
HEADSET	Fsa Orbit C-33, NO.44E, 1.1/8"x1.14", 45°/45° ACB steel bearings, w/15mm top cap for 47mm/52mm OD head tube
FORK	Bianchi Full Carbon 1.4"x1.1/8" integrated head, Disc brake flat mount, thru axle 12x100mm
SHIFTER	Shimano Ultegra ST-R8020 2x11sp, Shimano ST-R8025 smaller lever size only for frame sizes 44-47-50-53cm
REAR DERAILLEUR	Shimano Ultegra RD-R8000 SS 11sp, top normal shadow design, direct attachment, Max 25-30T for double
FRONT DERAILLEUR	Shimano Ultegra FD-R8000, down swing, brazed-on type, 61-66", max chainring 46/53T, CL: 43.5mm
CRANKSET	Shimano Ultegra FC-R8000 50x34T, Hollowtech II, Crank Length: 165mm-44cm, 170mm-47/53cm, 172.5mm-55/59cm, 175mm-61cm
BOTTOM BRACKET	Shimano SM-BB72-41B, PressFit
CHAIN	Kmc X11-1 EPT finish, 11sp
CASSETTE / FREEWHEEL	Shimano 105 CS-R7000 11sp, 11-12-13-14-15-17-19-21-24-27-30T
BRAKE	Shimano BR-R8070 Hydraulic disc brake, flat mount calipers
BRAKE LEVER	included w/shifters

DISC ROTOR	Shimano SM-RT800 Center Lock, diam. 160mm
RIM/WHEELSET	Fulcrum Racing 818 disc brake, aluminum C19 2WF-R Tubeless ready rims 622x19c, 34mm profile, thru axle front 12x100mm- rear 12x142mm, center lock AFS
TIRE	Vittoria Rubino IV 700x28, 60TPI, Folding, G2.0Graphene, black
STEM	Reparto Corse 3D Forged alloy 6061, rise -8°, 1.1/8", Ext: 70mm-44cm, 90mm-47/50cm, 100mm-53cm, 110mm-55/57cm, 120mm-59cm, 130mm-61cm
HANDLEBAR	Reparto Corse Aero Compact, alloy 6061 diam. 31,8mm, reach 74mm, drop 116mm, Size: 400mm-44/53cm, 420mm-55/59cm, 440mm-61cm
GRIP / TAPE	La Spirale Ribbon cork w/carbon look plugs w/Bianchi logo
SEATPOST	Aria Full Carbon Aero, clamp with alloy head adjustable and reversible +/- 35mm; length: 250mm-44cm, 300mm-47/50cm, 350mm-53/61cm
SADDLE	Selle Royal Seta S1, steel rails, 278x144mm



ARIA DISC - 105 11SP



CODE	YQB8D
COLOR	2R - Black/Graphite Full Glossy, 5K - CK16/Black Full Glossy
FRAME	Aria Disc carbon, mechanical/electronic shifting compatible, PressFit 86,5x41mm BB, head tube 1.4"-1.1/8", integrated seat clamp, full carbon dropout, flat mount, thru axle 12x142mm, sizes 44-47-50-53-55-57-59-61cm
SEATPOST CLAMP	included in the frame
HEADSET	Fsa Orbit C-33, NO.44E, 1.1/8"x1.14", 45°/45° ACB steel bearings, w/15mm top cap for 47mm/52mm OD head tube
FORK	Bianchi Full Carbon 1.4"x1.1/8" integrated head, Disc brake flat mount, thru axle 12x100mm
SHIFTER	Shimano 105 ST-R7020 2x11sp, Hydraulic disc brake, Shimano 105 ST-R7025 2x11sp smaller lever size for sizes 47/53cm
REAR DERAILLEUR	Shimano RD-R7000 SS 11sp, top normal, Shadow Design, direct attachment
FRONT DERAILLEUR	Shimano 105 FD-R7000-L, down-swing, brazed on type, 61-66", for 46/53T CL 43.5mm
CRANKSET	Shimano 105 FC-R7000 50x34T, Hollowtech II, crank length: 165mm-44cm, 170mm-47/53cm, 172.5mm-55/59cm, 175mm-61cm
BOTTOM BRACKET	Shimano SM-BB72-41B, PressFit
CHAIN	Kmc X11-1 EPT finish, 11sp
CASSETTE / FREEWHEEL	Shimano 105 CS-R7000 11sp, 11-12-13-14-15-17-19-21-24-27-30T
BRAKE	Shimano BR-RS505, flat mount, hydraulic disc brake
BRAKE LEVER	included w/shifters

DISC ROTOR	Shimano SM-RT70, Center Lock, with Ice Technology, diam. 160mm
RIM/WHEELSET	Fulcrum Racing 818 disc brake, aluminum C19 2WF-R Tubeless ready rims 622x19c, 34mm profile, thru axle front 12x100mm- rear 12x142mm, center lock AFS
TIRE	Vittoria Zaffiro Pro V 700x28c, 26TPI, G2.0, Folding, black
STEM	Reparto Corse 3D Forged alloy 6061, rise -8°, 1.1/8", Ext: 70mm-44cm, 90mm-47/50cm, 100mm-53cm, 110mm-55/57cm, 120mm-59cm, 130mm-61cm
HANDLEBAR	Reparto Corse Aero Compact, alloy 6061 diam. 31,8mm, reach 74mm, drop 116mm, Size: 400mm-44/53cm, 420mm-55/59cm, 440mm-61cm
GRIP / TAPE	La Spirale Ribbon cork w/carbon look plug w/Bianchi logo
SEATPOST	Aria Full Carbon Aero, clamp with alloy head adjustable and reversible +/- 35mm; length: 250mm-44cm, 300mm-47/50cm, 350mm-53/61cm
SADDLE	Selle Royal Seta S1, steel rails, 278x144mm



ARIA - ULTEGRA 11SP



CODE	YQB47
COLOR	2R - Black/ Graphite Full Glossy, 5K - CK16/ Black Full Glossy
FRAME	Aria carbon, mechanical/electronic shifting compatible, PressFit 86,5x41mm BB, head tube 1.4"-1.1/8", integrated seat clamp, full carbon dropout, sizes 44-47-50-53-55-57-59-61cm
SEATPOST CLAMP	included in the frame
HEADSET	Fsa Orbit C-33, NO.44E, 1.1/8"x1.14", 45°/45° ACB steel bearings, w/15mm top cap for 47mm/52mm OD head tube
FORK	Bianchi Full Carbon Aero 1.4"x1.1/8", integrated head
SHIFTER	Shimano Ultegra ST-R8000 2x11sp
REAR DERAILLEUR	Shimano Ultegra RD-R8000 SS 11sp, top normal shadow design, direct attachment, Max 25-30T for double
FRONT DERAILLEUR	Shimano Ultegra FD-R8000, down swing, brazed-on type, 61-66°, max chainring 46/53T, CL: 43,5mm
CRANKSET	Shimano Ultegra FC-R8000 50x34T, Hollowtech II, Crank Length: 165mm-44cm, 170mm-47/53cm, 172.5mm-55/59cm, 175mm-61cm
BOTTOM BRACKET	Shimano SM-BB72-41B, PressFit
CHAIN	Kmc X11-1 EPT finish, 11sp
CASSETTE / FREEWHEEL	Shimano 105 CS-R7000 11sp, 11-12-13-14-15-17-19-21-24-27-30T
BRAKE	Shimano Ultegra BR-R8000, w/shoe R55C4
BRAKE LEVER	included w/shifters
RIM/WHEELSET	Vision Team 35 Comp
TIRE	Vittoria Zaffiro Pro V 700x25, 26TPI, G2.0 Folding, black

STEM	Reparto Corse 3D Forged alloy 6061, rise -8°, 1.1/8", Ext: 70mm-44cm, 90mm-47/50cm, 100mm-53cm, 110mm-55/57cm, 120mm-59cm, 130mm-61cm
HANDLEBAR	Reparto Corse Aero Compact, alloy 6061 diam. 31.8mm, reach 74mm, drop 116mm, Size: 400mm-44/53cm, 420mm-55/59cm, 440mm-61cm
GRIP / TAPE	La Spirale Ribbon cork w/carbon look plugs w/Bianchi logo
SEATPOST	Aria Full Carbon Aero, clamp with alloy head adjustable and reversible +/- 35mm; length: 250mm-44cm, 300mm-47/50cm, 350mm-53/61cm
SADDLE	Selle Royal Seta S1, steel rails, 278x144mm

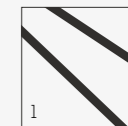


ENDURANCE

INFINITO CV
INFINITO XE
VIA NIRONE 7



INFINITO CV



RIDING ON PAVED ROADS

The best high-end endurance road disc bike. Infinito CV provides less muscle fatigue and more control thanks to the specific tuning process of the Bianchi CV vibration cancelling system.

KEY FEATURES

- Bianchi CV Engineered
- Endurance geometry
- Aero, full-carbon fork
- Fork weighs 390g
- 1.1/8 -1.5in taper steerer
- 12x100mm thru-axle drop outs
- Higher headtube and longer chainstay
- Disc brake system with thru axle (140 o 160mm)
- 32mm tubular/clincher compatible
- Vision Metron 5D handlebar compatible
- 7 Sizes: 47-50-53-55-57-59-61cm

DESIGNED FOR

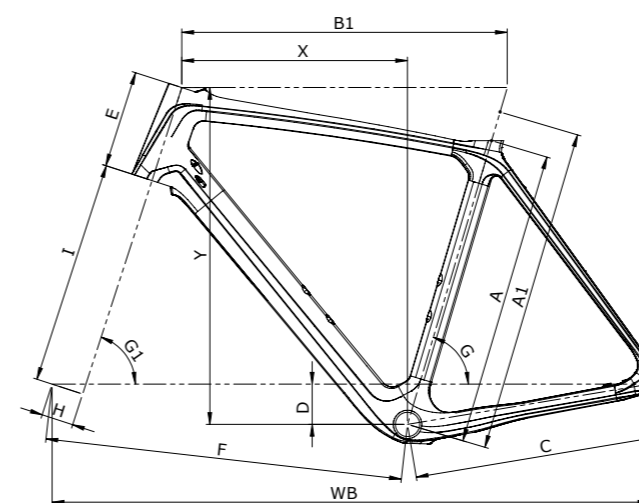
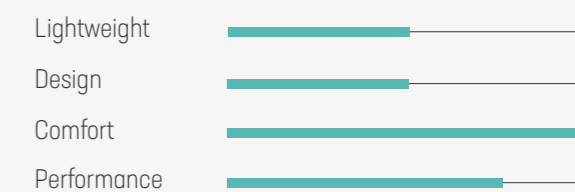
Granfondo and long distance sportive riders. For those who love to spend many hours on the saddle.

COURSE/TERRAIN

Road Mixed Trail City

ACTIVITY

Race Training Daily use



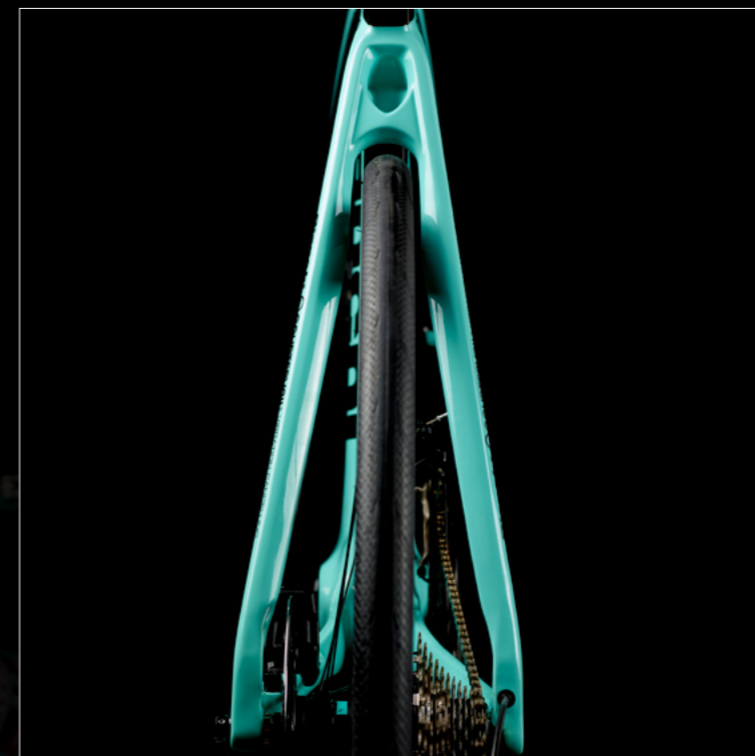
MIS-SLP													
Al	A	Bl	C	D	E	F	G	Gl	H	I	X	Y	WB
470	420	515	415	68	120	581	74.5°	70.5°	43	375	370	521	966
500	450	525	415	68	135	583	74.5°	71.5°	43	375	375	539	988
530	480	535	415	68	150	588	74°	71.5°	43	375	376	553	993
550	500	550	415	68	165	593	73.5°	72°	43	375	381	569	999
570	520	560	415	68	180	599	73.5°	72.5°	43	375	386	585	1004
590	540	575	420	68	195	608	73°	72.5°	43	375	392	599	1018
610	560	585	420	68	210	612	72.5°	72.5°	43	375	392	614	1023

ENDURANCE GEOMETRY



INTEGRATED CARBON SEATPOST

The new Infinito CV Disc has been engineered to be more aero by using a new integrated-look carbon seatpost.



LARGER VOLUME TYRES - UP TO 32mm

High-volume tyres add extra grip, comfort and control, without affecting rolling efficiency, or speed.

INFINITO CV - FORCE ETAP AXS 12SP



CODE	YQBN2
COLOR	2R - Black/Graphite Full Glossy
FRAME	Infinito CV Disc, Carbon w/Bianchi CV, Mechanical/Electronic Di2/EPS shifting compatible, 32" tire compatible, BBset PressFit 86,5x41mm, thru axle 12x142mm, sizes 47-50-53-55-57-59-61cm
BOLTS / HARDWARE	AL7075-T6 large button head bolts, Torx M5*14mm x 4pcs, Celeste w/Bianchi logo
SEATPOST CLAMP	included in the frame
HEADSET	Fsa NO.42/47CF/ACB/5D, ACB bearings 1.1/8" Top, 1.5" Btm, w/UD Carbon top cap (for 47/56mm Head Tube), stack height 11,8mm
FORK	Bianchi Full Carbon w/Bianchi CV, Disc, thru axle 12x100mm, Flat Mount caliper, 32" tire compatible
SHIFTER	Sram Force eTap AXS D1 2x12sp
REAR DERAILLEUR	Sram Force eTap AXS D1 12sp
FRONT DERAILLEUR	Sram Force eTap AXS D1, brazed-on
BATTERY / MOUNT	Sram eTap EP Powerpack, 2 batteries
CHARGER / PWR CABLE	Included w/battery
CRANKSET	Sram Force D1 46x33T, Crank Length: 170mm-47/53cm, 172.5mm-55/59cm, 175mm-61cm
BOTTOM BRACKET	Sram PressFit Road 86,5x41mm
CHAIN	Sram Force D1 12sp

CASSETTE / FREEWHEEL	Sram Force XG-1270 D1 12sp, 10-11-12-13-14-15-17-19-21-24-28-33T
BRAKE	Sram Froce HydroC
BRAKE LEVER	included w/shifters
DISC ROTOR	Sram centerline Road diam. 160mm
RIM/WHEELSET	Fulcrum Racing 418 disc brake, R400 aluminum asymmetric rims 622x17c, tubeless ready, 34mm profile, thru axle front 12x100mm - rear 12x142mm, Center Lock AFS
TIRE	Vittoria Rubino Pro G2.0 graphene, 700x28c, 150TPI, Folding, full Black
STEM	Reparto Corse 3D Forged alloy 6061, rise +/-7°, 1 1/8", Ext: 70mm-47cm, 90mm-50cm, 100mm-53cm, 110mm-55cm, 120mm-57/61cm
HANDLEBAR	Fsa SL-K Compact, UD Weave Carbon, 31.8mm, drop 125mm, reach 80mm, 4° Outward Bend, Size:400mm-47/50cm, 420mm-53/57cm, 440mm-59/61cm
GRIP / TAPE	Black soft Microfiber taper w/shockproof EVA-139
SEATPOST	Infinito Full Carbon, clamp with alloy head adjustable and reversible +/- 35mm, length: 350mm-47/57cm, 380mm-59/61cm, Setback 25mm/-10mm
SADDLE	Fizik Argo Tempo R5, nylon carbon reinforced shell w/ WingFlex, S alloy rail, 260x150mm



INFINITO CV - ULTEGRA DI2 11SP



CODE	YQBZ5
COLOR	2A - CK16/Black Full Glossy,
FRAME	Infinito CV Disc, Carbon w/Bianchi CV, Mechanical/Electronic Di2/EPS shifting compatible, 32" tire compatible, BBset PressFit 86,5x41mm, thru axle 12x142mm, sizes 47-50-53-55-57-59-61cm
BOLTS / HARDWARE	AL7075-T6 large button head bolts, Torx M5*14mm x 4pcs, Celeste w/Bianchi logo
SEATPOST CLAMP	included in the frame
HEADSET	Fsa NO.42/47CF/ACB/5D, ACB bearings 1.1/8" Top, 1.5" Btm, w/UD Carbon top cap (for 47/56mm Head Tube), stack height 11,8mm
FORK	Bianchi Full Carbon w/Bianchi CV, Disc, thru axle 12x100mm, Flat Mount caliper, 32" tire compatible
SHIFTER	Shimano Ultegra Di2 ST-R8070 2x11sp
REAR DERAILLEUR	Shimano Ultegra Di2 RD-R8050 GS 11sp, top normal shadow design, direct attachment, Max 34T
FRONT DERAILLEUR	Shimano Ultegra Di2 FD-R8050
ELECTRIC CABLE	Shimano Junction-A SM-EW90-A, Dura-Ace Di2, E-Tube port X3, charging port X1
CHARGER / PWR CABLE	Shimano Battery charger SM-BCR2, including charging cord for usb
CRANKSET	Shimano Ultegra FC-R8000 50x34T, Hollowtech II, Crank Length: 170mm-47/53cm, 172.5mm-55/59cm, 175mm-61cm
BOTTOM BRACKET	Shimano SM-BB72-41B, PressFit
CHAIN	Shimano Ultegra CN-HG701-11, 11sp
CASSETTE / FREEWHEEL	Shimano Ultegra CS-R8000 11sp, 11-12-13-14-16-18-20-22-25-28-32T

BRAKE	Shimano BR-R8070 Hydraulic disc brake, flat mount calipers
BRAKE LEVER	included w/shifters
DISC ROTOR	Shimano SM-RT800 Center Lock, diam. 160mm
RIM/WHEELSET	Fulcrum Racing 418 disc brake, R400 aluminum asymmetric rims 622x17c, tubeless ready, 34mm profile, thru axle front 12x100mm - rear 12x142mm, Center Lock AFS
TIRE	Vittoria Rubino Pro G2.0 graphene, 700x28c, 150TPI, Folding, full Black
STEM	Reporto Corse 3D Forged alloy 6061, rise +/-7°, 1 1/8", Ext: 70mm-47cm, 90mm-50cm, 100mm-53cm, 110mm-55cm, 120mm-57/61cm
HANDLEBAR	Reporto Corse Compact Flat Top, alloy 2014 diam. 31,8mm, reach 80mm, drop 130mm, Size: 400mm-47/50cm, 420mm-53/57cm, 440mm-59/63cm
GRIP / TAPE	Black soft Microfiber taper w/shockproof EVA-139
SEATPOST	Infinito Full Carbon, clamp with alloy head adjustable and reversible +/- 35mm, length: 350mm-47/57cm, 380mm-59/61cm, Setback 25mm/-10mm
SADDLE	Fi'zi:k Argo Tempo R5, Nylon carbon reinforced w/ WingFlex, rail S alloy, 260x150mm



INFINITO CV - ULTEGRA 11SP



CODE	YQB54
COLOR	2A - CK16/Black Full Glossy, 2R - Black/Graphite Full Glossy
FRAME	Infinito CV Disc, Carbon w/Bianchi CV, Mechanical/Electronic Di2/EPS shifting compatible, 32" tire compatible, BBset PressFit 86,5x41mm, thru axle 12x142mm, sizes 47-50-53-55-57-59-61cm
BOLTS / HARDWARE	AL7075-T6 large button head bolts, Torx M5*14mm x 4pcs, Celeste w/Bianchi logo
SEATPOST CLAMP	included in the frame
HEADSET	Fsa NO.42/47CF/ACB/5D, ACB bearings 1.1/8" Top, 1.5" Btm, w/UD Carbon top cap (for 47/56mm Head Tube), stack height 11,8mm
FORK	Bianchi Full Carbon w/Bianchi CV, Disc, thru axle 12x100mm, Flat Mount caliper, 32" tire compatible
SHIFTER	Shimano Ultegra ST-R8020 2x11sp, hydraulic discbrake, Shimano Ultegra ST-R8025 2x11sp, smaller lever size for sizes 47/53cm
REAR DERAILLEUR	Shimano Ultegra RD-R8000 GS 11sp, top normal shadow design, direct attachment, compatible with low gear 28-34T
FRONT DERAILLEUR	Shimano Ultegra FD-R8000, down swing, brazed-on type, 61-66°, max chainring 46/53T, CL: 43,5mm
CRANKSET	Shimano Ultegra FC-R8000 50x34T, Hollowtech II, Crank Length: 170mm-47/53cm, 172.5mm-55/59cm, 175mm-61cm
BOTTOM BRACKET	Shimano SM-BB72-41B, PressFit
CHAIN	Shimano Ultegra CN-HG701-11, 11sp
CASSETTE / FREEWHEEL	Shimano Ultegra CS-R8000 11sp, 11-12-13-14-16-18-20-22-25-28-32T

BRAKE	Shimano BR-R8070 Hydraulic disc brake, flat mount calipers
BRAKE LEVER	included w/shifters
DISC ROTOR	Shimano SM-RT800 Center Lock, diam. 160mm
RIM/WHEELSET	Vision Trimax 30 disc brake, 700X19c rims, thru axle front 12x100mm - rear 12x142mm
TIRE	Vittoria Rubino Pro G2.0 graphene, 700x28c, 150TPI, Folding, full Black
STEM	Reporto Corse 3D Forged alloy 6061, rise +/-7°, 1.1/8", Ext: 70mm-47cm, 90mm-50cm, 100mm-53cm, 110mm-55cm, 120mm-57/61cm
HANDLEBAR	Reporto Corse Compact Flat Top, alloy 2014 diam. 31,8mm, reach 80mm, drop 130mm, Size: 400mm-47/50cm, 420mm-53/57cm, 440mm-59/61cm
GRIP / TAPE	Black soft Microfiber taper w/shockproof EVA-139
SEATPOST	Infinito Full Carbon, clamp with alloy head adjustable and reversible +/- 35mm, length: 350mm-47/57cm, 380mm-59/61cm, Setback 25mm/-10mm
SADDLE	Fi'zi:k Argo Tempo R5, nylon carbon reinforced shell w/ WingFlex, S alloy rails, 260x150mm



INFINITO CV DISC - KIT TELAIO



CODE	XOB24
COLOR	2A - CK16/Black Full Glossy, 2R - Black/Graphite Full Glossy
FRAME	Infinito CV Disc, Carbon w/Countervail, Mechanical/Electronic Di2/EPS shifting compatible, 32" tire compatible, BBset PressFit 86,5x41mm, thru axle 12x142mm, sizes 47-50-53-55-57-59-61cm
BOLTS / HARDWARE	AL7075-T6 large button head bolts, Torx M5*14mm x 4pcs, Celeste w/Bianchi logo
SEATPOST CLAMP	included with the frame
HEADSET	Fsa Orbit C-40-ACB ; NO.42/ACB, Sealed ACB Bearings 1.1/8" ACB Top, 1.5" ACB Btm (for 46/56mm Head Tubes), w/15mm alloy cap
FORK	Bianchi Full Carbon w/Countervail, 1.5" head, Disc, flat mount, thru axle 12x100mm, 32" tire compatible
SEATPOST	Infinito Full Carbon, clamp with alloy head adjustable and reversible +/- 35mm, length: 350mm-47/57cm, 380mm-59/61cm, Setback 25mm/-10mm



INFINITO XE



RIDING ON PAVED ROADS

With Infinito XE, Bianchi extends the availability of the Infinito family. Perfect for the granfondo rider who is still deadly serious about performance and aesthetics.

KEY FEATURES

- Full carbon frame
- Endurance geometry
- Thru axles both front (12x100mm) and rear (12x142mm)
- Dedicated alloy stem and spacers for a better head tube connection
- Dedicated alloy seatpost with integrated look
- Chain stays length: 415mm (47/57cm), 420mm (59/61cm)
- 1.1/8" to 1.5" head tube
- 86.5x41mm BBset
- Internal hydraulic cable guide housing
- Mechanic and electronic shifting compatible
- Flat mount calipers and thru axle 12x100mm - 12x142mm
- Weight: 1.100g
- Tire size: up to 700x32
- Tyre width compatibility up to 32mm
- 7 sizes: 47, 50, 53, 55, 57, 59 and 61cm

DESIGNED FOR

Endurance cyclists, leese extreme riders of granfondos and sportives.

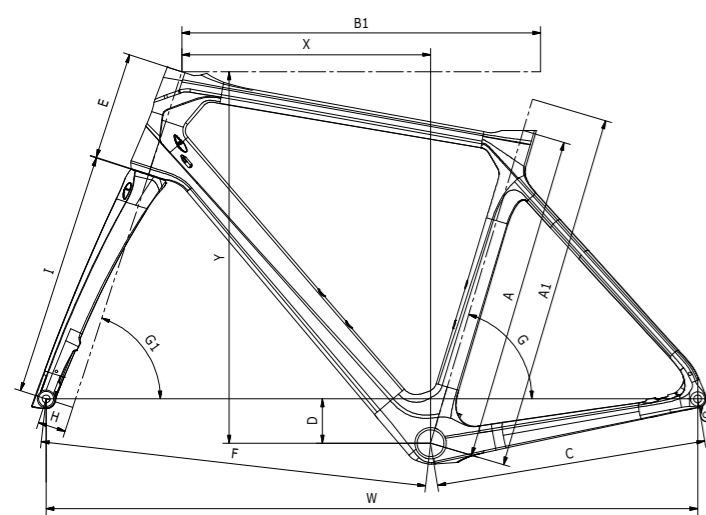
COURSE/TERRAIN

Road Mixed Trail City

ACTIVITY

Race Training Daily use

Lightweight	██████████
Design	██████████
Comfort	██████████
Performance	██████████



MIS-SLP													
Al	A	B1	C	D	E	F	G	G1	H	I	X	Y	WB
470	420	515	415	68	120	580	74.5°	70.5°	43	375	371	521	986
500	450	525	415	68	135	583	74.5°	71.5°	43	375	375	539	988
530	480	535	415	68	150	588	74°	71°	43	375	377	553	993
550	500	550	415	68	165	593	73.5°	72°	43	375	381	569	999
570	520	560	415	68	180	599	73.5°	72.5°	43	375	386	585	1004
590	540	575	420	68	195	608	73°	72.5°	43	375	391	600	1019
610	560	585	420	68	210	612	72.5°	72.5°	43	375	392	614	1023



IMPROVED
COCKPIT
INTEGRATION

CLEAN FRAME DESIGN

The clean lines of the bike are maintained with all hydraulic cables routed internally and the dedicated alloy seatpost has been developed for the ultimate streamlined, integrated look.



INFINITO XE - ULTEGRA 11SP



CODE	YQB6D
COLOR	5K - CK16/ Black Full Glossy, 5H - UD Carbon/graphite Full Glossy
FRAME	Infinito XE Disc carbon, tapered HT 1.1/8" - 1.5", Mechanical/Electronic Di2 shifting compatible, compatible with 32" tire, PressFit 86,5x41mm BBset, thru axle 12x142mm, sizes 47-50-53-55-57-59-61cm
SEATPOST CLAMP	included in the frame
HEADSET	Fsa NO.42/47CF/ACB/5D, ACB bearings 1.1/8" Top, 1.5" Btm, w/UD Carbon top cap (for 47/56mm Head Tube), stack height 11,8mm
FORK	Bianchi Full Carbon Disc, 1.5" head, thru axle 12x100mm, compatible with 32" tires
SHIFTER	Shimano Ultegra ST-R8020 2x11sp, hydraulic discbrake, Shimano Ultegra ST-R8025 2x11sp, smaller lever size for sizes 47/53cm
REAR DERAILLEUR	Shimano Ultegra RD-R8000 GS 11sp, top normal shadow design, direct attachment, compatible with low gear 28-34T
FRONT DERAILLEUR	Shimano Ultegra FD-R8000, down swing, brazed-on type, 61-66°, max chainring 46/53T, CL: 43,5mm
CRANKSET	Shimano Ultegra FC-R8000 50x34T, Crank Length: 170mm-47/53cm, 172.5mm-55/59cm, 175mm-61cm
BOTTOM BRACKET	Shimano SM-BB71-41B
CHAIN	Shimano Ultegra CN-HG701-11, 11sp
CASSETTE / FREEWHEEL	Shimano Ultegra CS-R8000 11sp, 11-12-13-14-16-18-20-22-25-28-32T
BRAKE	Shimano BR-R8070 Hydraulic disc brake, flat mount calipers
BRAKE LEVER	included w/shifters

DISC ROTOR	Shimano SM-RT800 Center Lock, diam. 160mm
RIM/WHEELSET	Fulcrum Racing 918 DB, 2WF-R C19, thru axle front 12x100mm - rear 12x142mm
TIRE	Vittoria Zaffiro Pro V 700x28c, 26TPI, G2.0, Folding, black
STEM	Reparto Corse 3D Forged alloy 6061, rise +/-7°, 1.1/8", Ext: 70mm-47cm, 90mm-50cm, 100mm-53cm, 110mm-55cm, 120mm-57/61cm
HANDLEBAR	Reparto Corse Compact, Flat Top, alloy 6061, diam. 31,8mm, reach 80mm, drop 130mm, Size: 400mm-47/53cm, 420mm-55/59cm, 440mm-61cm
GRIP / TAPE	La Spirale Ribbon cork w/carbon look plug w/Bianchi logo
SEATPOST	Reparto Corse alloy 2014 shaft, alloy 6061 head, 25mm seatback, length: 350mm-47/57cm, 380mm-59/61cm
SADDLE	Bianchi, steel rail, w/open, PU cover, 250x148mm



INFINITO XE - 105 11SP



CODE	YQB7D
COLOR	5K - CK16/ Black Full Glossy, 5H - UD Carbon/graphite Full Glossy
FRAME	Infinito XE Disc carbon, tapered HT 1.1/8" - 1.5", Mechanical/Electronic Di2 shifting compatible, compatible with 32" tire, PressFit 86,5x41mm BBset, thru axle 12x142mm, sizes 47-50-53-55-57-59-61cm
SEATPOST CLAMP	included in the frame
HEADSET	Fsa NO.42/47CF/ACB/5D, ACB bearings 1.1/8" Top, 1.5" Btm, w/UD Carbon top cap (for 47/56mm Head Tube), stack height 11,8mm
FORK	Bianchi Full Carbon Disc, 1.5" head, thru axle 12x100mm, compatible with 32" tires
SHIFTER	Shimano 105 ST-R7020 2x11sp, Hydraulic disc brake, Shimano 105 ST-R7025 2x11sp smaller lever size for sizes 47/53cm
REAR DERAILLEUR	Shimano 105 RD-R7000 GS 11sp, top normalshadow design, direct attachment
FRONT DERAILLEUR	Shimano 105 FD-R7000-L, down-swing, brazed on type, 61-66°, for 46/53T CL 43.5mm
CRANKSET	Shimano 105 FC-R7000 50x34T, Hollowtech II, Crank Length: 170mm-47/53cm, 172.5mm-55/59cm, 175mm-61cm
BOTTOM BRACKET	Shimano SM-BB71-41B
CHAIN	Kmc X11-1 EPT finish, 11sp
CASSETTE / FREEWHEEL	Shimano 105 CS-R7000, 11-12-13-14-16-18-20-22-25-28-32T
BRAKE	Shimano BR-RS505, flat mount, hydraulic disc brake
BRAKE LEVER	included w/shifters

DISC ROTOR	Shimano SM-RT70, Center Lock, with Ice Technology, diam. 160mm
RIM/WHEELSET	Fulcrum Racing 918 DB, 2WF-R C19, thru axle front 12x100mm - rear 12x142mm
TIRE	Vittoria Zaffiro Pro V 700x28c, 26TPI, G2.0, Folding, black
STEM	Reparto Corse 3D Forged alloy 6061, rise +/-7°, 1.1/8", Ext: 70mm-47cm, 90mm-50cm, 100mm-53cm, 110mm-55cm, 120mm-57/61cm
HANDLEBAR	Reparto Corse Compact, Flat Top, alloy 6061, diam. 31,8mm, reach 80mm, drop 130mm, Size: 400mm-47/53cm, 420mm-55/59cm, 440mm-61cm
GRIP / TAPE	La Spirale Ribbon cork w/carbon look plug w/Bianchi logo
SEATPOST	Reparto Corse alloy 2014 shaft, alloy 6061 head, 25mm seatback, length: 350mm-47/57cm, 380mm-59/61cm
SADDLE	Bianchi, steel rail, w/open, PU cover, 250x148mm



VIA NIRONE 7



RIDING ON PAVED ROADS

Via Nirone 7 is where it all began for Bianchi - the address of Edoardo Bianchi's first workshop in Milan. Start your own cycling story with our entry-level aluminum bike, designed around the proven Bianchi endurance geometry. Hydroformed tubing with internal cable routing and a carbon fork make it the perfect first performance road bike.

KEY FEATURES

- Aluminum triple butted hydroforming frame
- Endurance geometry
- Down tube and top tube shape
- Internal cable routing
- Alu/Carbon fork with "straight/bent" blades and kevlar 1k
- Hydroformed frame
- 9 sizes available (man): from 44 to 63
- 5 sizes available (woman): from 44 to 55

DESIGNED FOR

Passionate riders and cyclists aiming at their first sportive rides.

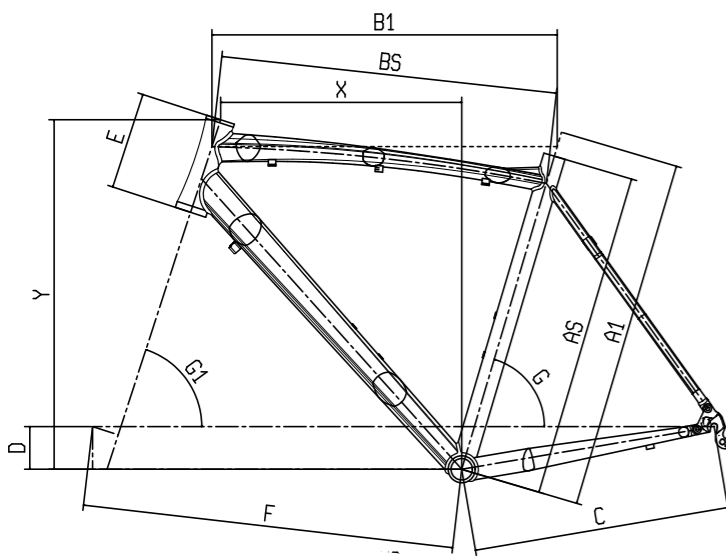
COURSE/TERRAIN

Road Mixed Trail City

ACTIVITY

Race Training Daily use

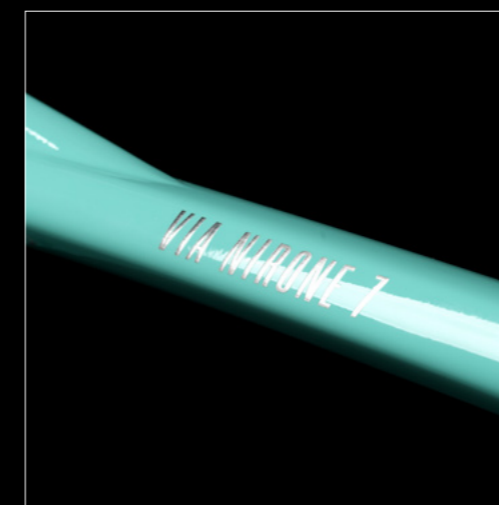
Lightweight	<div style="width: 70%;"></div>
Design	<div style="width: 70%;"></div>
Comfort	<div style="width: 70%;"></div>
Performance	<div style="width: 30%;"></div>



MIS-SLP												
Al	AS	Bl	BS	C	D	E	F	G	G1	Y	X	
440	420	510	493	406	58	120	578	75°	70.5°	508	371	
460	440	520	502	408	58	125	580	74.5°	71°	515	375	
500	470	525	507	408	68	130	580	74.5°	71.5°	531	376	
530	500	535	519	408	68	145	585	74°	71.5°	546	377	
550	520	550	534	410	68	155	592	73.5°	72°	557	384	
570	540	560	544	410	68	175	602	73.5°	72°	576	388	
590	560	575	559	410	68	185	607	73°	72.5°	587	395	
610	580	585	568	412	68	210	612	72.5°	72.5°	611	392	
630	600	595	578	412	68	220	617	72.5°	73°	622	399	

A NAME, THE STORY OF A LEGEND.

Via Nirone 7 is the address of the first Bianchi store and workshop in Milan.



NEW LOGO



NEW GRAPHICS

ANNO DI FONDAZIONE
1885
MILANO
VIA NIRONE, 7



CODE	YQBW7
COLOR	ND - CK16/Titanium Silver, N2 - Serial Black/Titanium Silver
FRAME	Via Nirone 7 alu, hydroforming tubing, internal cable routing, seatpost diam 31.6mm, sizes 44-46-50-53-55-57-59-61-63cm
SEATPOST CLAMP	MX-112C Aluminum clamp, diam. 35mm
HEADSET	Fso NO.8B/ZS4D 1.1/8" semi-integrated lower part + integrated upper part, w/15mm Top cover for 46mm/50 OD head tube
FORK	Bianchi Alu Carbon w/Kvid, 1.1/8"
SHIFTER	Shimano 105 ST-R7000 2x11sp
REAR DERAILLEUR	Shimano 105 RD-R7000 GS 11sp, top normalshadow design, direct attachment
FRONT DERAILLEUR	Shimano 105 FD-R7000-L, down-swing, 34.9mm band type, 61-66°, max chainring: 46-53T, CL:43.5mm, black
CRANKSET	Shimano FC-RS510 50x34T, Crank Length: 170mm-44/53cm, 172.5mm-55/59cm, 175mm-61/63cm
BOTTOM BRACKET	Shimano SM-BBR60

CHAIN	Kmc X11-1 EPT finish, 11sp
CASSETTE / FREEWHEEL	Shimano 105 CS-R7000, 11-12-13-14-16-18-20-22-25-28-32T
BRAKE	Shimano BR-R561
BRAKE LEVER	included w/shifters
RIM/WHEELSET	Shimano WH-RS100
TIRE	Vittoria Zaffiro V 700x25, 25-622, 26TPI, rigid, black
STEM	Reparto Corse Alloy 6061, rise +/-7°, 1.1/8", Ext: 70mm-44/46cm, 90mm-50/53cm, 100mm-55cm, 110mm-57/59cm, 120mm-61cm, 130mm-63cm
HANDLEBAR	Reparto Corse Compact, Flat Top, alloy 6061 diam. 31.8mm, reach 80mm, drop 130mm, size: 400mm-44/53cm, 420mm-55/59cm, 440mm-61/63cm
GRIP / TAPE	Cork w/Bianchi logo
SEATPOST	Reparto Corse Alloy shaft AL6061, alloy head, 15mm offset, 31.6mm, Length: 300mm-44/46cm, 350mm-50/63cm
SADDLE	Selle Royal SR 2075HRN, steel rails, PVC cover, 280x145mm

N2 - Serial Black/Titanium Silver



GRAVEL

ARCADEX IMPULSO ALLROAD VIA NIRONE 7 ALLROAD



NEW ARCADEX

Our brand new gravel carbon model is for the rider who likes to take his bike off the beaten path and go fast in search of adventure. Arcadex will help you to perform to the best of your ability no matter the terrain.

The name is inspired by the Ancient Greek region, Arcadia, described as being close to paradise on earth.

KEY FEATURES

- Full Carbon frame and fork
- Frame weight: 1150 g
- 1.5" to 1.5" head tube, ACR compatible
- 86.5x41mm BBset
- Internal hydraulic housing
- 1x and 2x drivetrain compatible
- Mechanic and Electronic shifting compatible
- Flat mount calipers and thru axle 12x100mm - 12x142mm
- 16° flare angle handlebar and dedicated 0° stem for improved control
- Mudguards ready
- Tire size: up to 700x42 or 650x47
- 5 Sizes: XS, SM, MD, LG, XL



RIDING ON PAVED AND UNPAVED ROADS
WITH DROPS OF LESS THAN 15 cm

DESIGNED FOR

Expert rider who loves to ride fast and in control no matter the terrain.

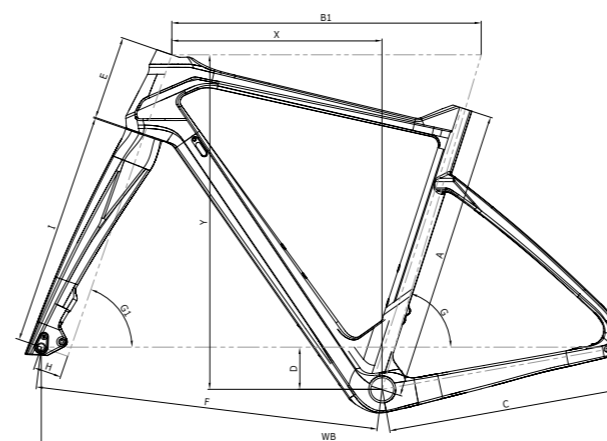
COURSE/TERRAIN

Road **Mixed** Trail City

ACTIVITY

Race **Training** Daily use

Lightweight	<div style="width: 75%;"></div>
Design	<div style="width: 100%;"></div>
Comfort	<div style="width: 100%;"></div>
Performance	<div style="width: 100%;"></div>



MIS-SLP													
SIZE	A	B1	C	D	E	F	G	G1	H	I	X	Y	WB
XS	440	522	425	75	120	596	74.5°	70.5°	50	416	365	565	1010
S	480	535	425	75	135	605	74°	70.5°	50	416	369	579	1018
M	520	550	425	75	150	610	73.5°	71°	50	416	374	595	1024
L	550	565	425	75	165	626	73.5°	71°	50	416	384	609	1039
XL	580	585	425	75	180	640	73°	71°	50	416	394	623	1054

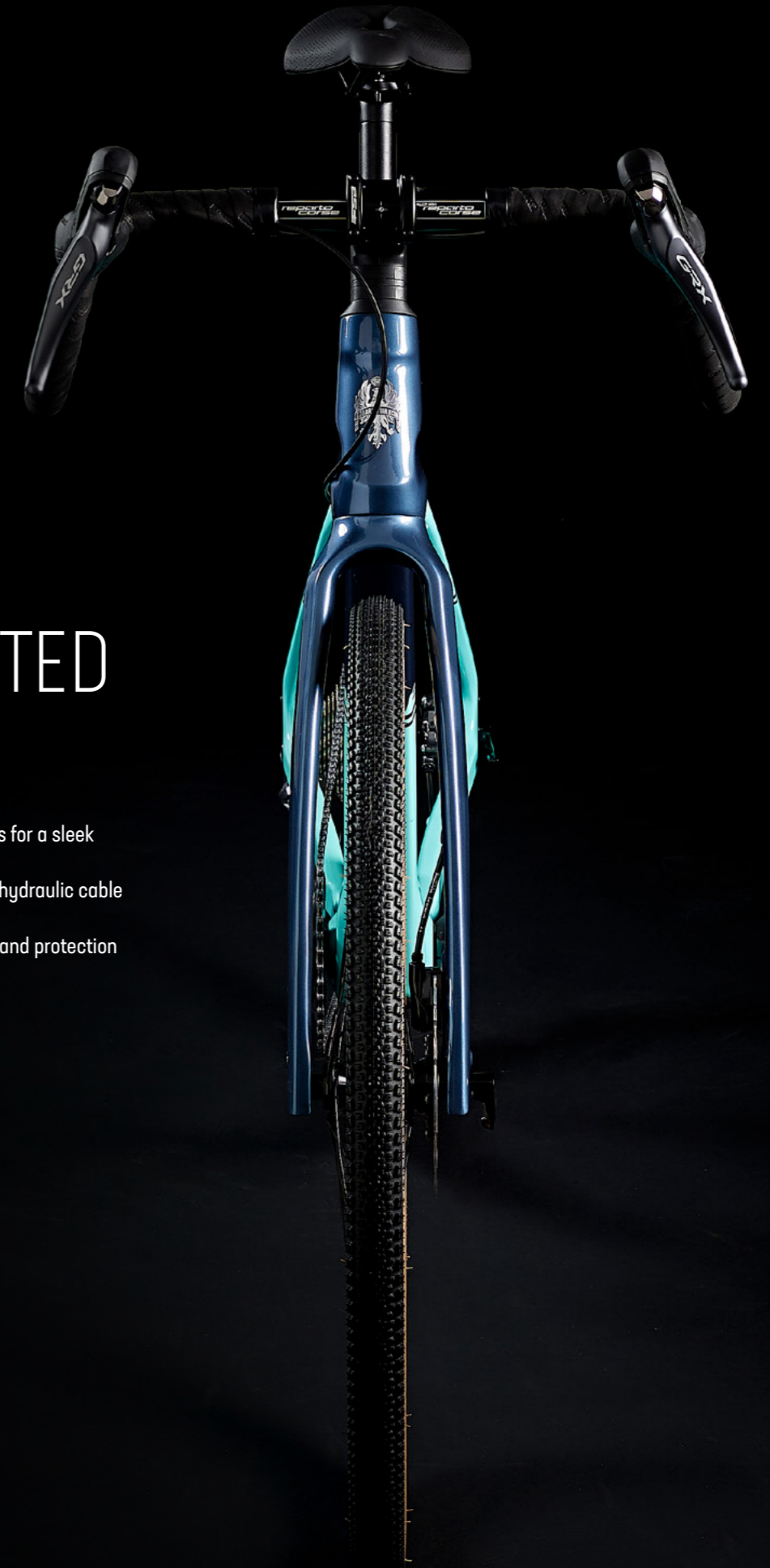


MUDGUARDS
READY



Compatible up to

700x42
OR 650x47
TYRES



INTEGRATED
LOOK

- Custom headtube and spacers for a sleek frame/stem connection
- ACR compatible with internal hydraulic cable housing
- Clean look, better integration and protection from mud and grime



CODE	YQBX2
COLOR	GX - CK16/Blue Note Glossy,GY - Gold storm/Blue Note Glossy
FRAME	Arcadex Carbon, 1.5" headset, seatpost diam. 31.6mm, thru axle 12x142mm, flat mount caliper, Pressfit 41 BB, compatible with 700x42mm or 650x47 tire and mudguard predisposition, sizes: XS-SM-MD-LG-XL
SEATPOST CLAMP	Included in the frame
HEADSET	Fsa SMR HS w/custom 1.1/8" top cup and 1.5" lower cup, 36°/45° ACB bearings
FORK	Bianchi Full Carbon Disc, 1.5" head, flat mount caliper, thru axle 12x100mm
SHIFTER	Shimano GRX 810 ST-RX810 1x11sp
REAR DERAILLEUR	Shimano GRX 812 RD-RX812 11sp, top normal shadow plus design
CRANKSET	Shimano GRX 810 FC-RX810-1 40T, Hollowtech II, Crank Length: 170mm-XS/SM, 172.5mm-MD/LG, 175mm-XL
BOTTOM BRACKET	Shimano SM-BB72-41B, PressFit
CHAIN	Kmc X11-1 EPT finish
CASSETTE / FREEWHEEL	Shimano SLX CS-M7000, 11sp 11-13-15-17-19-21-24-28-32-37-42T

BRAKE	Shimano BR-RX810, resin pad, flat mount calipers
BRAKE LEVER	included w/shifters
DISC ROTOR	Shimano SM-RT70, Center Lock, with Ice Technology, diam. 160mm
FRONT HUB	Shimano HB-RS470, Center Lock 32h, Thru Axle 12x100mm
REAR HUB	Shimano FH-RS470, Center Lock, 32h, Thru axle 12x142mm
RIM/WHEELSET	AlexRims GD24 disc 700c 622-21c, 24mm profile, 32hole, tubeless ready
TIRE	WTB Riddler Comp 700x37, 30TPI, Wire Bead
STEM	Fsa ST-OS-188/SMR-0°, Alloy 6061, rise 0°, Ext: 80mm-XS/SM, 100mm-MD, 120mm-LG/XL
HANDLEBAR	Aluminum 6061, reach 70mm, flare angle 16°, drop 120mmx40cm, 130mmx42/44cm, size: 40cm=XS/SM, 42cm=MD/LG, 44cm=XL
GRIP / TAPE	La Spirale Ribbon cork w/carbon look plug w/Bianchi
SEATPOST	Reporto Corse Alloy 6061 shaft, alloy head, 15mm offset, 31,6mm, length: 300mm-350mm
SADDLE	Selle Royal 2315HRN, steel rail, open, PU cover, 250x148mm



ARCADEX - GRX 600 1X11SP

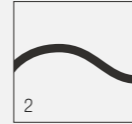


CODE	YQBX3
COLOR	GX- CK16/Blue note glossy,GY- Gold storm/Blue note glossy
FRAME	Arcadex Carbon, 1.5" headset, seatpost diam. 31.6mm, thru axle 12x142mm, flat mount caliper, Pressfit 41 BB, compatible with 700x42mm or 650x47 tire and mudguard predisposition, sizes: XS-SM-MD-LG-XL
SEATPOST CLAMP	Included in the frame
HEADSET	Fsa SMR HS w/custom 1.1/8" top cup and 1.5" lower cup, 36°/45° ACB bearings
FORK	Bianchi Full Carbon Disc, 1.5" head, flat mount caliper, thru axle 12x100mm
SHIFTER	Shimano GRX 600 ST-RX600 1x11sp
REAR DERAILLEUR	Shimano GRX RD-RX812 11sp, top normal shadow plus design, direct attachment
CRANKSET	Shimano GRX 600 FC-RX600 40T, Crank Length: 170mm-XS-SM, 172.5mm-MD-LG, 175mm-XL
BOTTOM BRACKET	Shimano BB-RS500-PB, press fit
CHAIN	Kmc X11-1 EPT finish
CASSETTE / FREEWHEEL	Shimano SLX CS-M7000, 11sp 11-13-15-17-19-21-24-28-32-37-42T
BRAKE	Shimano BR-RX400, hydraulic disc brake, flat mount calipers
BRAKE LEVER	included w/shifters
DISC ROTOR	Shimano SM-RT70, Center Lock, with Ice Technology, diam. 160mm
FRONT HUB	Shimano HB-RS470, 32h, Center Lock, thru axle 12x100mm

REAR HUB	Shimano FH-RS470, 32h, Center Lock, thru axle 12x142mm
RIM/WHEELSET	AlexRims GD24 disc 700c 622-21, 24mm profile, tubeless ready, 32hole
TIRE	WTB Riddler Comp 700x37, 30TPI Casing, Wire Bead
STEM	Fsa ST-OS-188/SMR-0°, Alloy 6061, rise 0°, Ext: 80mm-XS-SM, 100mm-MD, 120mm-LG/XL
HANDLEBAR	Aluminum 6061, reach 70mm, flare angle 16°, drop 120mmx40cm, 130mmx42/44cm, size: 40cm-XS/SM, 42cm-MD/LG, 44cm-XL
GRIP / TAPE	La Spirale Ribbon cork w/carbon look plug w/Bianchi logo
SEATPOST	Reparto Corse Alloy 6061 shaft, alloy head, 15mm offset, 31,6mm, length: 300mm-350mm
SADDLE	Selle Royal 2315HRN, steel rail, open, cover PU, 250x148mm



IMPULSO ALL ROAD



RIDING ON PAVED AND UNPAVED ROADS
WITH DROPS OF LESS THAN 15 cm

Impulso allroad best suits the needs of riders looking to enjoy their time in the saddle and tackle the greatest variety of rides. Every surface becomes rideable and every adventure possible.

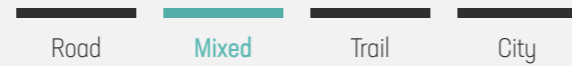
KEY FEATURES

- Lightweight Aluminum frame
- QR50 Thru Axle 12x100/142mm with aluminum QR lever (M12 x P1.5)
- BB set PF41 Shimano
- Flat mount (Shimano standard) disc caliper mount
- 40mm tires compatible
- Full carbon fork 1.1/8"
- 16° flare angle handlebar to enhance handling
- Mudguards and carriers ready
- 8 sizes: 47, 50, 53, 55, 57, 59, 61, 63cm

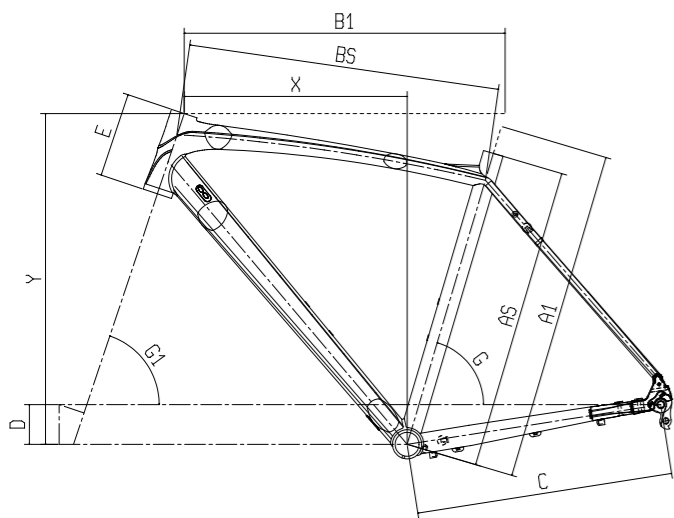
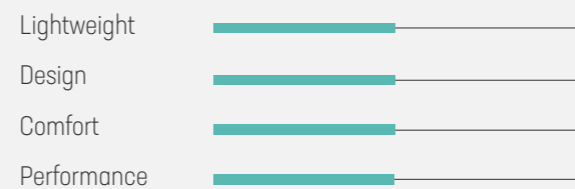
DESIGNED FOR

Versatile cyclists. For different experiences: road, trails and dirt.

COURSE/TERRAIN



ACTIVITY



MIS-SLP										
A1	AS	B1	BS	C	D	E	F	G	G1	Y
470	450	515	500	437	68	120	74.5°	70°	538	366
500	470	525	509	437	68	125	74.5°	71°	546	374
530	500	535	518	440	68	130	74°	71.5°	553	377
550	520	550	534	440	68	145	73.5°	71.5°	567	382
570	540	560	544	440	68	155	73.5°	72°	578	389
590	570	575	559	443	68	175	73°	72°	597	392
610	580	585	568	443	68	185	72.5°	72.5°	610	393
630	610	595	578	443	68	210	72.5°	72.5°	632	369

IMPULSO ALLROAD - GRX 810 11SP



CODE	YQB8C	FRONT HUB	Formula CL-712 road disc, alloy 32h, 2 sealed bearings, J-bend, Center Lock, thru axle 12x100mm
COLOR	5K - CK16/Black full glossy	REAR HUB	Formula RXC-142S road disc, 4 sealed bearings, Center Lock, J-bend, thru axle 12x142mm
FRAME	Impulso Allroad Alu, 1.1/8" HT, seatpost diam. 31.6mm, thru axle 12x142mm, flat mount, PF41 SHIMANO, compatible with 40mm tire, mudguard and rear carrier ready, sizes 47-50-53-55-57-59-61-63cm	RIM/WHEELSET	AlexRims GD24 disc 700c 622-21, 24mm profile, tubeless ready, 32hole
SEATPOST CLAMP	MX-112C Aluminum clamp, diam. 35mm	TIRE	Kenda Flintridge 700x35, 60TPI, black
HEADSET	Fsa NO.8B/ZS4D 1.1/8" semi-integrated lower part + integrated upper part, w/15mm Top cover for 46mm/50 OD head tube	STEM	Reparto Corse, Alloy 6061, rise +/-7°, 1.1/8", Ext: 70mm-47cm, 90mm-50/53cm, 100mm-55cm, 110mm-57/59cm, 120mm-61/63cm
FORK	Bianchi Full Carbon 1.1/8", flat mount caliper, thru axle 12x100mm	HANDLEBAR	Reparto Corse Aluminum 6061, reach 70mm, flare angle 16°, drop cc 120mmx40cm and 130mmx42/44cm, size: 40cm-47/53cm, 42cm-55/59cm, 44cm-61/63cm
SHIFTER	Shimano GRX 810 ST-RX810 2x11sp	GRIP / TAPE	La Spirale Ribbon cork w/carbon look plug w/Bianchi logo
REAR DERAILLEUR	Shimano GRX 810 RD-RX810 11sp, top normal, Shadow Plus Design, direct attachment	SEATPOST	Reparto Corse Alloy 6061 shaft, alloy head, 15mm offset, 31.6mm, length: 300mm-47cm, 350mm-50/63cm
FRONT DERAILLEUR	Shimano GRX 810 FD-RX810, down-swing, down pull, braze-on type, 61-66°, Max:46-50T, CL:46mm, clamp adapter, SM-AD91, L-size(34.9mm)	SADDLE	Selle Royal SR 2302HRN, w/hole, steel rail, PU soft touch cover, 280x145mm
CRANKSET	Shimano GRX 810 FC-RX810-2 48x31T, Hollowtech II, Crank Length: 170mm-47/53cm, 172.5mm-55/59cm, 175mm-61/63cm		
BOTTOM BRACKET	Shimano SM-BB72-41B, PressFit		
CHAIN	Shimano CN-HG601-11		
CASSETTE / FREEWHEEL	Shimano CS-HG7000 11, 11-13-15-17-19-21-23-25-27-30-34T		
BRAKE	Shimano BR-RX400, hydraulic disc brake, flat mount calipers		
BRAKE LEVER	included w/shifters		
DISC ROTOR	Shimano SM-RT70, Center Lock, with Ice Technology, diam. 160mm		



IMPULSO ALLROAD - GRX 600 11SP



CODE	YQB1C
COLOR	5K - CK16/Black Full Glossy, 3C - Black/Titanium Full Matt
FRAME	Impulso Allroad Alu, 1.1/8" HT, seatpost diam. 31.6mm, thru axle 12x142mm, flat mount, PF41 SHIMANO, compatible with 40mm tire, mudguard and rear carrier ready, sizes 47-50-53-55-57-59-61-63cm
SEATPOST CLAMP	MX-112C Aluminum clamp, diam. 35mm
HEADSET	Fsa NO.8B/ZS4D 1.1/8" semi-integrated lower part + integrated upper part, w/15mm Top cover for 46mm/50 OD head tube
FORK	Bianchi Full Carbon 1.1/8", flat mount caliper, thru axle 12x100mm
SHIFTER	Shimano GRX 600 ST-RX600 2x11sp
REAR DERAILLEUR	Shimano GRX 810 RD-RX810 11sp, top normal, Shadow Plus Design, direct attachment
FRONT DERAILLEUR	Shimano GRX 810 FD-RX810, down-swing, down pull, braze-on type, 61-66", Max:46-50T, CL:46mm, clamp adapter, SM-AD91, L-size(34.9mm)
CRANKSET	Shimano GRX 600 FC-RX600 46x30T, Crank Length: 170mm-47/53cm, 172.5mm-55/59cm, 175mm-61/63cm
BOTTOM BRACKET	Shimano SM-BB71-41B
CHAIN	Shimano CN-HG601-11
CASSETTE / FREEWHEEL	Shimano CS-HG7000 11, 11-13-15-17-19-21-23-25-27-30-34T
BRAKE	Shimano BR-RX400, hydraulic disc brake, flat mount calipers
BRAKE LEVER	included w/shifters
DISC ROTOR	Shimano SM-RT70, Center Lock, with Ice Technology, diam. 160mm

FRONT HUB	Formula CL-712 road disc, alloy 32h, 2 sealed bearings, J-bend, Center Lock, thru axle 12x100mm
REAR HUB	Formula RXC-142S road disc, 4 sealed bearings, Center Lock, J-bend, thru axle 12x142mm
RIM/WHEELSET	AlexRims GD24 disc 700c 622-21, 24mm profile, tubeless ready, 32hole
TIRE	Kenda Flintridge 700x35, 60TPI, black
STEM	Reparto Corse, Alloy 6061, rise +/-7°, 1.1/8", Ext: 70mm-47cm, 90mm-50/53cm, 100mm-55cm, 110mm-57/59cm, 120mm-61/63cm
HANDLEBAR	Reparto Corse Aluminum 6061, reach 70mm, flare angle 16°, drop cc 120mmx40cm and 130mmx42/44cm, size: 40cm-47/53cm, 42cm-55/59cm, 44cm-61/63cm
GRIP / TAPE	La Spirale Ribbon cork w/carbon look plug w/Bianchi logo
SEATPOST	Reparto Corse Alloy 6061 shaft, alloy head, 15mm offset, 31.6mm, length: 300mm-47cm, 350mm-50/63cm
SADDLE	Selle Royal SR 2302HRN, w/hole, steel rails, PU soft touch cover, 280x145mm



VIA NIRONE 7

ALL ROAD



RIDING ON PAVED AND UNPAVED ROADS
WITH DROPS OF LESS THAN 15 cm

The perfect choice to enter the gravel world.
A reliable aluminum frame equipped to tackle
different terrain.

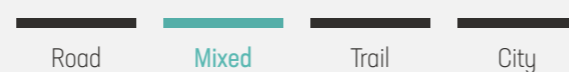
KEY FEATURES

- Aluminum frame (hydroforming tubing)
- 68mm BSA BB set
- Handlebar with 16° flare angle to enhance handling
- Flat mount system (Shimano standard)
- 40mm tires compatible
- Alu/carbon fork 1.1/8" with 12x100mm thru axle
- Mudguards and carriers ready
- 8 sizes: 47, 50, 53, 55, 57, 59, 61, 63cm

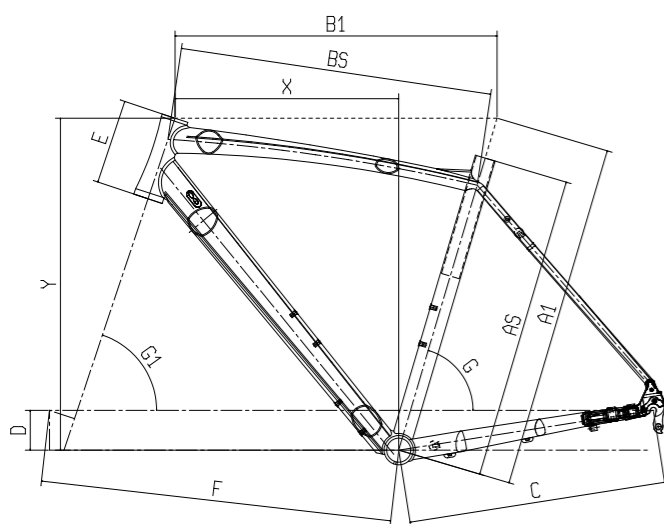
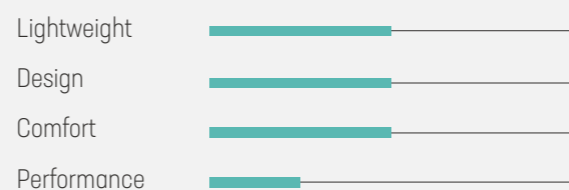
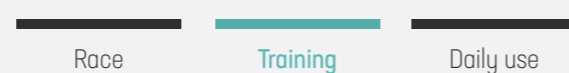
DESIGNED FOR

Mixed terrains. For active riders starting their gravel journey.

COURSE/TERRAIN



ACTIVITY



MIS-SLP											
A1	AS	B1	BS	C	D	E	F	G	G1	Y	X
470	450	515	499	437	68	120	588	74.5°	70°	538	355
500	470	525	509	437	68	125	589	74.5°	71°	546	374
530	500	535	514	440	68	130	590	74°	71.5°	553	377
550	520	550	534	440	68	145	600	73.5°	71.5°	567	382
570	540	560	544	440	68	155	605	73.5°	72°	578	389
590	560	575	558	443	68	175	614	73°	72°	597	392
610	580	585	566	443	68	185	615	72.5°	72.5°	609	393
630	600	595	578	443	68	210	624	72.5°	72.5°	632	396

VIA NIRONE 7 ALLROAD - GRX 400 10SP



CODE	YQB62
COLOR	5K - CK16/Black Full Glossy, 3C - Black/Titanium Full Matt
FRAME	Via Nirone 7 Allroad alloy hydroforming tubing, internal cable, seatpost diam 31.6mm, Flat Mount disc brake, thru axle 12x142mm, compatible with 40mm tire, rack & fender ready, downtube underside bottlecage ready, sizes 47-50-53-55-57-59-61-63cm
SEATPOST CLAMP	MX-112C Aluminum clamp, diam. 35mm
HEADSET	Fsa NO.8B/ZS4D 1.1/8" semi-integrated lower part + integrated upper part, w/15mm Top cover for 46mm/50 OD head tube
FORK	Bianchi Carbon Disc, 1.1/8", flat Mount caliper, thru axle 12x100mm
SHIFTER	Shimano GRX 400 ST-RX400 2x10sp
REAR DERAILLEUR	Shimano GRX 400 RD-RX400 10sp, top normal, Shadow Plus Design, direct attachment
FRONT DERAILLEUR	Shimano GRX 400 FD-RX400, down-swing, down-pull, braze-on type, 61-66", Max: 46T, CL:46mm, w/clamp adapter, SM-AD91, L-size(34.9mm)
CRANKSET	Shimano FC-RX600 46x30T, Crank Length: 170mm-47/53cm, 172.5mm-55/59cm, 175mm-61/63cm
BOTTOM BRACKET	included in the crankset
CHAIN	Shimano CN-HG54 10sp
CASSETTE / FREEWHEEL	Shimano CS-HG500-10, 11-13-15-17-19-21-23-26-30-34T
BRAKE	Shimano BR-RX400, hydraulic disc brake, flat mount calipers
BRAKE LEVER	included w/shifters
DISC ROTOR	Shimano SM-RT64, Center Lock, 160mm
FRONT HUB	Formula CL-712 road disc, alloy 32h, 2 sealed bearings, J-bend, Center Lock, thru axle 12x100mm
REAR HUB	Formula RXC-142S road disc, 4 sealed bearings, Center Lock, J-bend, thru axle 12x142mm

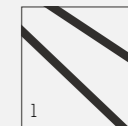
RIM/WHEELSET	AlexRims GD24 disc 700c 622-21, 24mm profile, tubeless ready, 32hole
TIRE	Kenda Happy Medium 700x35, 30TPI, black
STEM	Reparto Corse, Alloy 6061, rise +/-7°, 1.1/8", Ext: 70mm-47cm, 90mm-50/53cm, 100mm-55cm, 110mm-57/59cm, 120mm-61/63cm
HANDLEBAR	Reparto Corse Aluminum 6061, reach 70mm, flare angle 16°, drop cc 120mmx40cm and 130mmx42/44cm, size: 40cm-47/53cm, 42cm-55/59cm, 44cm-61/63cm
GRIP / TAPE	Cork w/Bianchi logo
SADDLE	Selle Royal SR 2302HRN, w/holes, steel rails, PU soft touch cover, 280x145mm



TT & TRIATHLON

AQUILA CV

AQUILA CV



RIDING ON PAVED ROADS

High performance machine to race against the clock. Developed in cooperation with World Tour pro cyclists. Winner of stages at Giro d'Italia, Tour de France and Vuelta a España.

KEY FEATURES

- Hi-modulus carbon fiber monocoque frame with Countervail® material
- Frame weight: 1450 g
- Full carbon fork, straight blades with covered V-brakes
- Dedicated geometry with 76.5° seat tube angle, 72° head tube angle
- Horizontal rear adjustable dropouts to minimize the distance between the rear wheel and the seat tube, reducing the turbulence between the disc rear wheel and the oversize seat tube
- Compatible for mechanic and electronic groupset
- Fully internal cable routing
- 4 sizes: XS - S - M - L



COLOR CONFIGURATOR

DESIGNED FOR

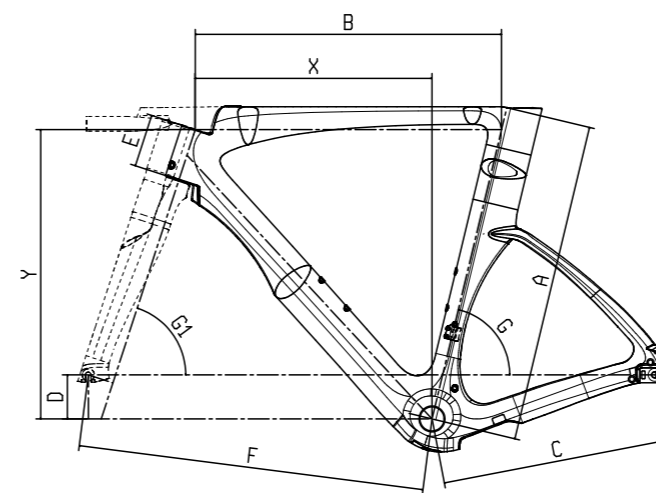
Pro riders and long distance triathletes.

COURSE/TERRAIN

Road Mixed Trail City

ACTIVITY

Race Training Daily use



MIS	A	B	C	D	E	F	G	G1	Y	X
XS	460	500	398	75	80	563	76.5°	72°	483	378
S	550	530	398	75	90	590	76.5°	72°	492	403
M	580	555	398	75	120	618	76.5°	72°	521	422
L	610	580	398	75	150	645	76.5°	72°	550	440



AERO HANDLEBAR

Aquila CV features full NACA (National Advisory Committee for Aeronautics) airfoil shape of the handlebar (designed by Bianchi). Three different stem lengths:

1. 90mm
2. 115mm
3. 140mm



CONCEALED BRAKES

Bianchi engineered a customized front tube cover, to smoothly hide the V-brake system. The rear V-brake is positioned in the bottom-bracket area to minimize the aerodynamic drag.



DOUBLE POSITIONING SEATPOST

TT and triathlon configuration with +/- 18mm setback.

AQUILA CV - ULTEGRA 11SP



CODE	YQBF4	TIRE	Vittoria Rubino Pro G2.0 graphene, 700x25c, 150TPI, Folding, full Black
COLOR	ID - CK16/Black Glossy, Tavolozza	STEM	included in the handlebar
FRAME	Aquila CV carbon w/Countervail, Mechanical/Electronic shifting compatible, PressFit 86,5x41mm, w/carbon cover, size XS-SM-MD-LG	HANDLEBAR	Bianchi Aero Carbon Fully Integrated flat custom handlebar and stem, width 41mm, stem length 90mm-XS/SM, 110mm-MD, 130mm-LG, top cap included, Di2/EPS compatible, w/Fsa bar ends length 260mm
BOLTS / HARDWARE	AL7075-T6 large button head Torx M5*14mm x 2pcs, celeste color w/Bianchi logo	GRIP / TAPE	Black soft Microfiber tapes w/shockproof Eva-139, size: 200*3cm with 4 line hole and plug
HEADSET	Fsa No.8-R, 1.1/8" 45/45 SL alloy ACB Alloy bearings	SEATPOST	Bianchi Aero Carbon custom shape with alloy head adjustable and reversible +/- 18mm, Length: 300mm-XS/SM, 350mm-MD/LG
FORK	Bianchi Full Carbon w/Countervail, 1.1/8", with pivot V-brake, blades straight with brake covered	SADDLE	Fi'zi:k Mistica MG, nylon carbon reinforced, carriage kit, extra grip cover, rail S alloy
SHIFTER	Shimano Dura Ace SL-BSR1 2x11sp, Bar end type		
REAR DERAILLEUR	Shimano Ultegra RD-R8000 SS 11sp, top normal shadow design, direct attachment, Max 25-30T for double		
FRONT DERAILLEUR	Shimano Ultegra FD-R8000, down swing, brazed-on type, 61-66°, max chainring 46/53T, CL: 43,5mm		
CRANKSET	Shimano Ultegra FC-R8000 52x36T, Hollowtech II, Crank Length: 165mm-XS, 170mm-SM, 172.5mm-MD, 175mm-LG		
BOTTOM BRACKET	Shimano SM-BB72-41B, PressFit		
CHAIN	Shimano Ultegra CN-HG701-11, 11sp		
CASSETTE / FREEWHEEL	Shimano Ultegra CS-R8000, 11-12-13-14-15-17-19-21-23-25-28T		
BRAKE	Bianchi Aero-860-BI, Alloy Forged and CNC aluminum arms, Individual spring tension screws left and right, Standard replaceable cartridge pads (2pcs), brake pad for alloy rim		
BRAKE LEVER	Shimano Dura Ace BL-TT79 for TT/Triathlon		
RIM/WHEELSET	Fulcrum Racing 418, C17 R400 Aluminum rims, profile 35mm		



AQUILA CV - FRAME KIT



CODE	X0B28
COLOR	1D - CK16/Black Glossy, Tavolozza
FRAME	Aquila CV carbon w/Countervail, Mechanical/Electronic shifting compatible, PressFit 86,5x41mm, w/carbon cover, size XS-SM-MD-LG
BOLTS / HARDWARE	AL7075-T6 large button head Torx M5*14mm x 2pcs, celeste color w/Bianchi logo
SEATPOST CLAMP	included in the frame
HEADSET	Fsa No.8-R, 1.1/8" 45/45 SL alloy ACB Alloy bearings
FORK	Bianchi Full Carbon w/Countervail, 1.1/8", with pivot V-brake, blades straight with brake covered
BRAKE	Bianchi Aero-860-BI, Alloy Forged and CNC aluminum arms, Individual spring tension screws left and right, Standard replaceable cartridge pads (2pcs), brake pad for alloy rim
STEM	included in the handlebar
HANDLEBAR	Bianchi Aero Carbon Fully Integrated flat custom handlebar and stem, width 41mm, stem length 90mm-XS/SM, 110mm-MD, 130mm-LG, top cap included, Di2/EPS compatible, w/Fsa bar ends length 260mm
SEATPOST	Bianchi Aero Carbon custom shape with alloy head adjustable and reversible +/- 18mm, length 300mm for XS-SM; 350mm for MD-LG



CYCLO-CROSS

ZOLDER PRO

NEW

ZOLDER PRO



RIDING ON PAVED AND UNPAVED ROADS
WITH DROPS OF LESS THAN 15 cm

With a full carbon frame set up for disc brakes only, cross-specific geometry and 1x or 2x drivetrain, the Zolder Pro is for riders who love to go fast on any terrain. Anyone can ride like a champion with the race-ready Zolder Pro.

KEY FEATURES

- Full carbon monocoque frame
- Frame weight: 1100 g
- Straight full carbon fork
- Dedicated geometry for cyclo-cross
- Thru axle 12x100/142mm
- Tyre sizes: up to 700x40
- Fully internal cable routing Di2
- Sizes: 48 - 50 - 52 - 54 - 56 - 58

DESIGNED FOR

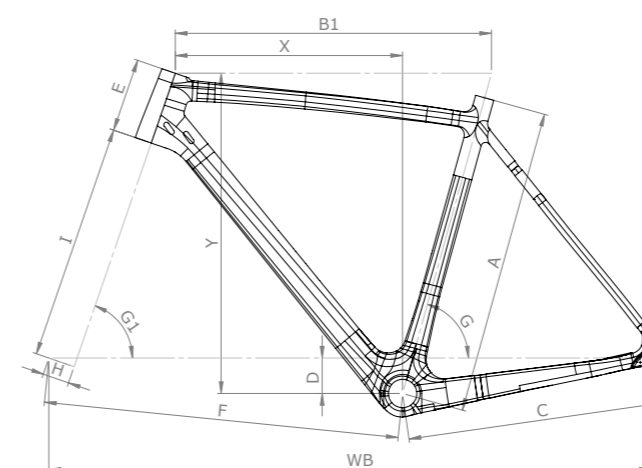
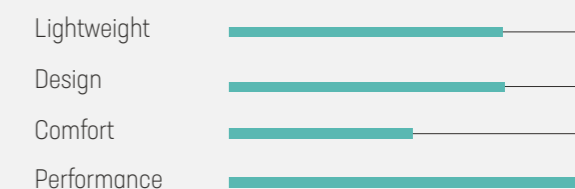
Competitive riders and dirt tracks lovers.
Zolder Pro is pure racer, pure fun.

COURSE/TERRAIN

Road Mixed Trail City

ACTIVITY

Race Training Daily use



MIS												
A	B1	C	D	E	F	G	G1	H	I	X	Y	WB
480	510	425	53	100	590	75.5°	70.5°	45	400	378	510	1009
500	525	425	58	115	600	75°	70.5°	45	400	383	529	1018
520	535	425	60	125	601	74.5°	71°	45	400	385	542	1019
540	545	425	60	135	602	74°	71.5°	45	400	386	554	1020
560	560	425	62	145	606	73.5°	72°	45	400	391	569	1024
580	575	425	62	160	611	73°	72.5°	45	400	396	583	1028



HIGHER BB:
297mm w/622x38 TIRES.

Increased vertical distance from the ground
for improved clearance.



NEW FORK DESIGN

COMPATIBILITY UP TO
700x40
TYRES



LOWERED SECOND BOTTLE CAGE

From the close cooperation with Wout Van Aert comes
the decision to position the second bottle cage in the
lower part of the seat tube.

ADVANTAGE: possibility to shoulder the bike with
more comfort and space



NEW REAR TRIANGLE DESIGN

ADVANTAGE: improved reactivity

ZOLDER PRO - GRX 600 11SP



CODE	YQB51
COLOR	ZD - CK16/Purple Rainbow
FRAME	Zolder Pro carbon, disc brake flat mount caliper, press fit 86.5x41mm headset 1.5"-1.1/8", thru axle 12x142mm, sizes 48-50-52-54-56-58-cm
SEATPOST CLAMP	MX-112C Aluminum clamp, light weight, diam. 31,8mm anti-crimp, finish black
HEADSET	Fsa Orbit C-40-ACB ; NO.42/ACB, Sealed ACB Bearings 1.1/8" ACB Top, 1.5" ACB Btm (for 46/56mm Head Tubes), w/15mm alloy cap
FORK	Bianchi full carbon disc, 1.5"- 1.1/8", flat mount caliper, thru axle 12x100mm
SHIFTER	Shimano GRX 600 ST-RX600 2x11sp
REAR DERAILLEUR	Shimano GRX 810 RD-RX810 11sp, top normal, Shadow Plus Design, direct attachment
FRONT DERAILLEUR	Shimano GRX 810 FD-RX810, down-swing, down pull, braze-on type, 61-66°, max 46-50T, CL:46mm
CRANKSET	Shimano GRX 600 FC-RX600 46x30T, Crank Length: 170mm-48/52cm, 172.5mm-54/58cm
BOTTOM BRACKET	Shimano SM-BB72-41B, PressFit
CHAIN	Shimano CN-HG601-11, 11sp
CASSETTE / FREEWHEEL	Shimano 105 CS-R7000, 11-12-13-14-16-18-20-22-25-28-32T
BRAKE	Shimano BR-RX400, hydraulic disc brake, flat mount calipers
BRAKE LEVER	included w/shifters
DISC ROTOR	Shimano SM-RT70, Center Lock, with Ice Technology, diam. 160mm

RIM/WHEELSET	Vision Team 30 alloy, C19 disc brake clincher 622x19C, 30mm profile, thru axle front 12x100mm, rear 12x142mm
TIRE	Vittoria Terreno Mix TNT G+ 33-622/700x33c, nylon 120TPI, foldable
STEM	Reparto Corse 3D Forged alloy 2014, rise -8°, 1.1/8", Ext: 90mm-48/50cm, 100mm-52/54cm, 110mm-56cm, 120mm-58cm
HANDLEBAR	Reparto Corse Compact, Flat Top, alloy 6061 diam. 31,8mm, reach 80mm, drop 130mm, Size: 400mm-48/50cm, 420mm-52/58cm, 440mm-58cm
GRIP / TAPE	Cork w/Bianchi logo
SEATPOST	Reparto Corse UD Carbon shaft, forged alloy head, 15mm offset, diam. 27,2mm, length: 350mm
SADDLE	Selle Royal Seta S1, steel rails, 278x144mm



ZOLDER PRO - FRAME KIT



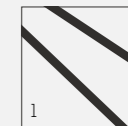
CODE	XQB26
COLOR	ZD - CK16/Purple rainbow - Z2 - Black/Purple rainbow
FRAME	Zolder Pro carbon, disc, flat mount, PressFit BB 86.5x41mm, headset 1.5"- 1.1/8", thru axle 12x142mm, sizes 48-50-52-54-56-58cm
SEATPOST CLAMP	Promax MX-112C Aluminum clamp, light weight, diam. 31,8mm anti-crimp, finish black
HEADSET	Fsa Orbit C-40-ACB ; NO.42/ACB, Sealed ACB Bearings 1.1/8" ACB Top, 1.5" ACB Btm (for 46/56mm Head Tubes), w/15mm alloy cap
FORK	Bianchi Full carbon 1.5"-1.1/8", disc, flat mount, thru axle 12x100mm



E-BIKES

E-ROAD / GRAVEL
E-MTB
E-CITY

Bianchi
LIF-E[®]



RIDING ON PAVED ROADS

ARIA E-ROAD

The Aria E-Road is everything you want from a super-light carbon fiber racing bike, just with a motor. It enhances every emotion, amplifying the freedom of the road.

KEY FEATURES

- Aero carbon frame and fork
- Full carbon seatpost with adjustable and reversible head
- Rear hub motor unit 250W 40Nm w/iWok one remote control
- Max support up to 100%
- Weight of the entire ebike system (motor unit, integrated battery and remote): 3.5 kg
- BLE and Ant+ compatible
- Dedicated App for smartphone
- Weight: 11,9 kg (size 55)
- Racing geometry
- 7 sizes: 47, 50, 53, 55, 57, 59 and 61cm

DESIGNED FOR

Expert riders with the desire to have the same performances of an aero racing bike with powerful electrical assistance in the background

COURSE/TERRAIN

Road Mixed Trail City

ACTIVITY

Race Training Daily use

250Wh

battery

3.5/4h

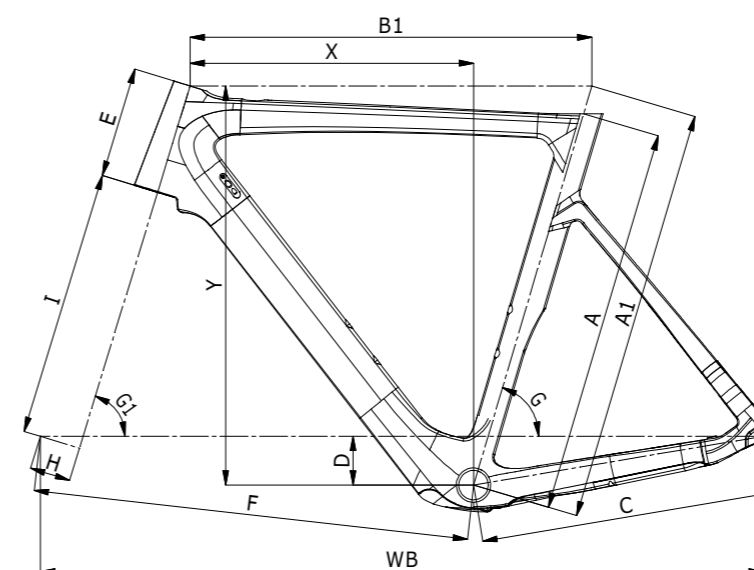
charging time

3

assistance levels
• Eco • Comfort • Power

Up to **1.200m** of elevation gain.

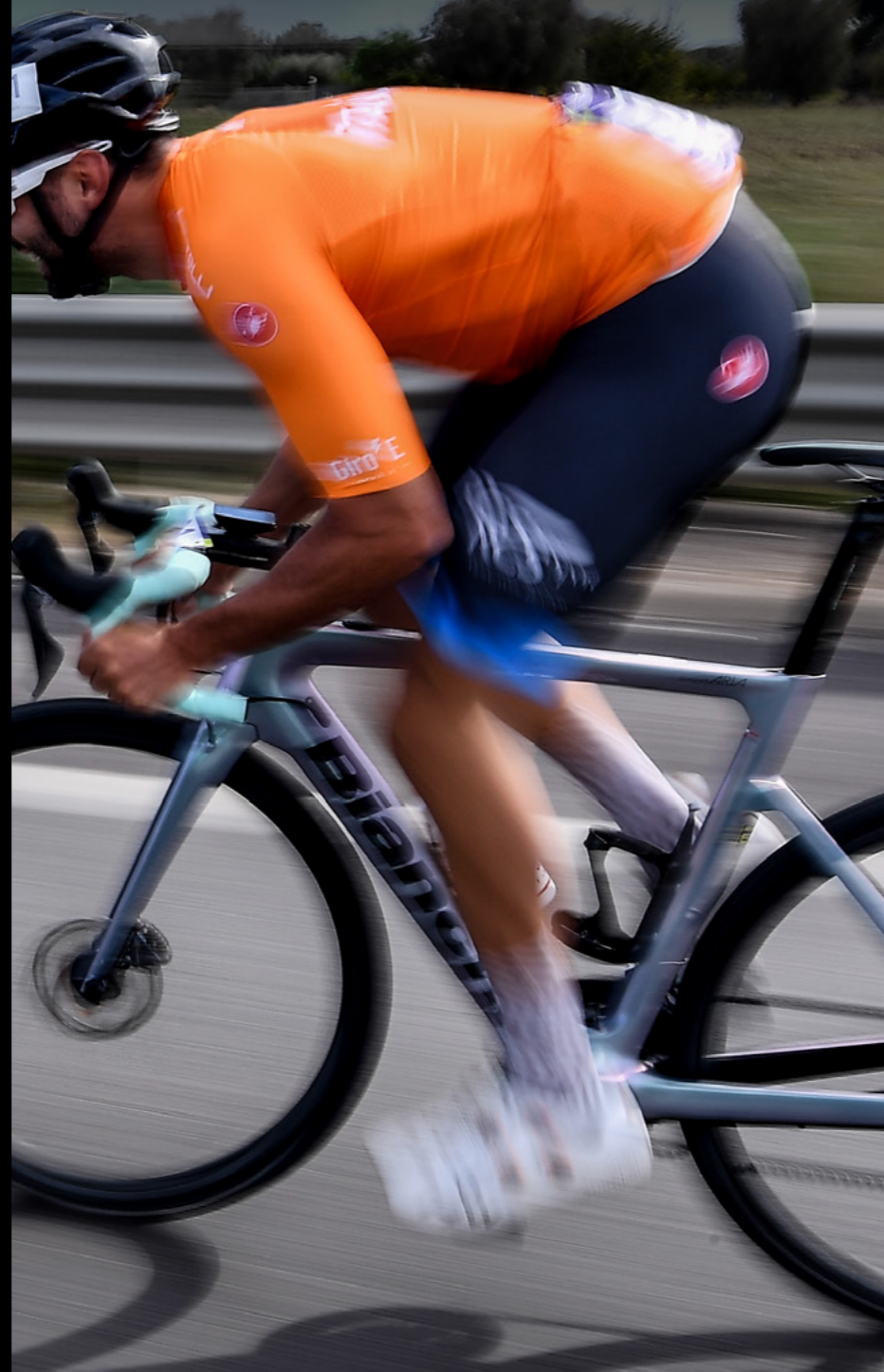
Autonomy could be increased with 208.8Wh Xtra Power external battery.



MIS-SLP										
Al	AS	Bl	BS	C	D	E	G	G1	W	
470	450	515	497	437	68	120	74.5°	70°	1016	
500	470	525	508	437	68	125	74.5°	70.5°	1022	
520	490	535	519	440	68	130	74°	70.5°	1030	
550	520	550	534	440	68	145	73.5°	71.5°	1031	
570	540	560	546	440	68	155	73.5°	72°	1036	
590	570	575	562	443	68	175	73°	72°	1049	
610	590	585	572	443	68	185	72.5°	72.5°	1049	
630	610	595	581	443	68	210	72.5°	72.5°	1058	

E-ROAD / GRAVEL

ARIA E-ROAD
IMPULSO E-ROAD



EXTRA POWER

Aria e-road provides the ultimate light weight road experience with power to expand your limits. The extra power given by the 250W rear hub motor unit significantly adds to, but never overshadows the human powered endeavour and sensation of road riding. It simply gives the feeling that you have more power in your legs.



INTEGRATED
REMOTE
CONTROL



FULL CARBON
FRAME



SPECIAL
IRIDESCENT
PAINT



CODE	YQBN9
COLOR	1A - CK16/Black full glossy
FRAME	Aria E-Road Disc carbon, mechanical/electronic shifting compatible, PressFit 86,5x41mm BB, head tube 1.4"-1.1/8", integrated seat clamp, full carbon dropout, flat mount, QR system, OLD 135mm, sizes 47-50-53-55-57-59-61cm
SEATPOST CLAMP	included in the frame
HEADSET	Fsa Orbit C-33, NO.44E, 1.1/8" x 1.14", 45°/45° ACB steel bearings, w/15mm top cap for 47mm/52mm OD head tube
FORK	Bianchi Full Carbon 1.4" x 1.1/8" integrated head, Disc brake flat mount, thru axle 12x100mm
SHIFTER	Shimano Ultegra Di2 ST-R8070 2x11sp
REAR DERAILLEUR	Shimano Ultegra Di2 RD-R8050 GS 11sp, top normal shadow design, direct attachment, Max 34T
FRONT DERAILLEUR	Shimano Ultegra Di2 FD-R8050, brazed-on type
ELECTRIC CABLE	Shimano Junction-A SM-EW90-A, Dura-Ace Di2, E-Tube port X3, charging port X1
CHARGER / PWR CABLE	Shimano Battery charger SM-BCR2, including charging cord for usb
CRANKSET	Shimano Ultegra FC-R8000 50x34T, Crank Length: 170mm-47/53cm, 172.5mm-55/59cm, 175mm-61cm
BOTTOM BRACKET	Shimano SM-BB72-41B, PressFit
CHAIN	Shimano Ultegra CN-HG701-11, 11sp

CASSETTE / FREEWHEEL	Shimano 105 CS-R7000, 11-12-13-14-16-18-20-22-25-28-32T
BRAKE	Shimano BR-R8070 Hydraulic disc brake, flat mount calipers
BRAKE LEVER	included w/shifters
DISC ROTOR	Shimano SM-RT86, diam. 160mm
RIM/WHEELSET	Vision Trimax alloy disc, 6-bolt type, w/Ebikemotion rear hub motor unit
TIRE	Vittoria Rubino Pro G2.0 graphene, 700x28c, 150TPI, Folding, full Black
STEM	Reparto Corse 3D Forged alloy 6061, rise -8°, 1.1/8", Ext: 90mm-47/50cm, 100mm-53cm, 110mm-55/57cm, 120mm-59cm, 130mm-61cm
HANDLEBAR	Reparto Corse Aero Compact, alloy 6061 diam. 31.8mm, reach 74mm, drop 116mm, Size: 400mm-44/53cm, 420mm-55/59cm, 440mm-61cm
GRIP / TAPE	La Spirale Ribbon cork w/carbon look plugs w/Bianchi logo
SEATPOST	Aria Full Carbon Aero, clamp with alloy head adjustable and reversible +/- 35mm; length: 300mm-47/50cm, 350mm-53/61cm
SADDLE	Selle Royal Seta S1, steel rails, 278x144mm
MOTOR UNIT	Ebikemotion X35 Plus 250W motor unit, w/250Wh integrated battery and iWOC One remote control, BLE and ANT+ compatible



ARIA E-ROAD - ULTEGRA 11SP

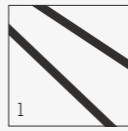


CODE	YQBN8
COLOR	1A - CK16/Black full glossy, PZ - Summetime dream/black, 2A - CK16/Black glossy
FRAME	Aria E-Road Disc carbon, mechanical/electronic shifting compatible, PressFit 86,5x41mm BB, head tube 1.4"-1.1/8", integrated seat clamp, full carbon dropout, flat mount, QR system, OLD 135mm, sizes 47-50-53-55-57-59-61cm
SEATPOST CLAMP	included in the frame
HEADSET	Fsa Orbit C-33, NO.44E, 1.1/8"x1.14", 45°/45° ACB steel bearings, w/15mm top cap for 47mm/52mm OD head tube
FORK	Bianchi Full Carbon 1.4"x1.1/8" integrated head, Disc brake flat mount, thru axle 12x100mm
SHIFTER	Shimano Ultegra ST-R8020 2x11sp, hydraulic discbrake, Shimano Ultegra ST-R8025 2x11sp, smaller lever size for sizes 47/53cm
REAR DERAILLEUR	Shimano Ultegra RD-R8000 GS 11sp, top normal shadow design, direct attachment, compatible with low gear 28-34T
FRONT DERAILLEUR	Shimano Ultegra FD-R8000, down swing, brazed-on type, 61-66°, max chainring 46/53T, CL: 43,5mm
CRANKSET	Shimano Ultegra FC-R8000 50x34T, Crank Length: 170mm-47/53cm, 172.5mm-55/59cm, 175mm-61cm
BOTTOM BRACKET	Shimano SM-BB72-41B, PressFit
CHAIN	Shimano Ultegra CN-HG701-11, 11sp
CASSETTE / FREEWHEEL	Shimano 105 CS-R7000, 11-12-13-14-16-18-20-22-25-28-32T
BRAKE	Shimano BR-R8070 Hydraulic disc brake, flat mount calipers
BRAKE LEVER	included w/shifters
DISC ROTOR	Shimano SM-RT86, diam. 160mm

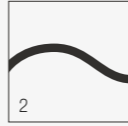
RIM/WHEELSET	Vision Trimax alloy disc, 6-bolt type, w/Ebikemotion rear hub motor unit
TIRE	Vittoria Rubino IV 700x28, 60TPI, Folding, G2.0Graphene, black
STEM	Reparto Corse 3D Forged alloy 6061, rise -8°, 1.1/8", Ext: 90mm-47/50cm, 100mm-53cm, 110mm-55/57cm, 120mm-59cm, 130mm-61cm
HANDLEBAR	Reparto Corse Aero Compact, alloy 6061 diam. 31,8mm, reach 74mm, drop 116mm, Size: 400mm-44/53cm, 420mm-55/59cm, 440mm-61cm
GRIP / TAPE	La Spirale Ribbon cork w/carbon look plugs w/Bianchi logo
SEATPOST	Aria Full Carbon Aero, clamp with alloy head adjustable and reversible +/- 35mm; length: 300mm-47/50cm, 350mm-53/61cm
SADDLE	Selle Royal Seta S1, steel rails, 278x144mm
MOTOR UNIT	Ebikemotion X35 Plus 250W motor unit, w/250Wh integrated battery and iWOC One remote control, BLE and ANT+ compatible



NEW IMPULSO E-ROAD /ALL ROAD



RIDING ON PAVED ROADS



RIDING ON PAVED AND UNPAVED ROADS WITH DROPS OF LESS THAN 15 cm

The Impulso is refreshed with two new models that can tackle every surface and inspire every rider. The renewed aluminum-frame features an eBikemotion® unit, with the motor placed in the rear wheel to keep you at the top of your game whether on pristine asphalt or rooty trails. A road version and a gravel version are available.

KEY FEATURES

- Aluminum hydroformed frame
- Full carbon fork
- 1.1/8" head tube
- 86.5x41mm BBset
- Flat mount calipers
- Front 12x100mm thru axle
- 16° flare angle handlebar (e-Allroad only) for improved control
- Mudguards and rear carrier ready
- Rear hub motor unit 250W 40Nm w/iWok one remote control
- Max support up to 100%
- Weight of the entire ebike system (motor unit, integrated battery and remote): 3.5Kg
- BLE and Ant+ compatible
- Tire size: up to 700x40
- 5 sizes: XS - S - M - L -XL

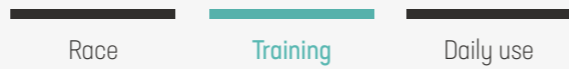
DESIGNED FOR

Different cycling experiences: road, gravel, commuting and multi-days tourism.

COURSE/TERRAIN



ACTIVITY



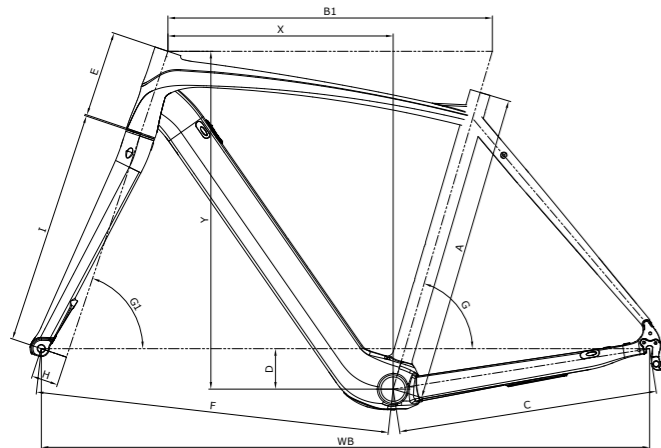
250Wh
battery

3.5/4h
charging time

3 assistance levels
• Eco • Comfort • Power

Up to **1.200m** of elevation gain.

Autonomy could be increased with 250Wh Xtra Power external battery.



MIS	TG	A	B1	C	D	E	F	G	G1	H	I	X	Y	WB
XS	460	525	443	68	120	599	74.5°	70°	45	395	375	538	1032	
S	490	540	443	68	130	600	74°	71°	45	395	382	552	1033	
M	520	555	443	68	145	606	73.5°	71.5°	45	395	387	568	1039	
L	550	570	443	68	160	609	73°	72°	45	395	390	584	1043	
XL	580	585	443	68	180	615	72.5°	72.5°	45	395	395	604	1049	

TRIPLE HYDROFORMED TECHNOLOGY

- Increased rigidity and structural strength
- Improved design

MUDGUARDS AND REAR CARRIER READY



IMPULSO E-ROAD - ULTEGRA 11SP



THE IMAGE SHOWN IS INDICATIVE ONLY. Components and graphic details may differ from the actual model.

CODE	YQBM4
COLOR	IE - CK16/Black glossy
FRAME	Impulso E-Road, PressFit BB, head tube 1.1/8", Disc brake flat mount, QR system, OLD 135mm, sizes XS-SM-MD-LG-XL
SEATPOST CLAMP	included in the frame
HEADSET	Fsa NO.8B/ZS4D 1.1/8" semi-integrated lower part + integrated upper part, w/15mm Top cover for 46mm/50 OD head tube
FORK	Bianchi Full carbon 1.1/8", Thru axle 12x100mm, Flat Mount disc brake
SHIFTER	Shimano Ultegra ST-R8020 2x11sp, hydraulic discbrake, Shimano Ultegra ST-R8025 2x11sp, smallerlever size for sizes 47/53cm
REAR DERAILLEUR	Shimano Ultegra RD-R8000 GS 11sp, top normal shadow design, direct attachment, compatible with low gear 28-34T
FRONT DERAILLEUR	Shimano Ultegra FD-R8000, down swing, brazed-on type, 61-66°, max chainring 46/53T, CL: 43,5mm
CRANKSET	Shimano Ultegra FC-R8000 50x34T, Hollowtech II, Crank Length: 170mm-XS/SM, 172.5mm-MD/LG, 175mm-XL
BOTTOM BRACKET	Shimano SM-BB71-41B
CHAIN	Kmc X11-1 EPT finish, 11sp
CASSETTE / FREEWHEEL	Shimano 105 CS-R7000, 11-12-13-14-16-18-20-22-25-28-32T

BRAKE	Shimano BR-R8070 Hydraulic disc brake, flat mount calipers
BRAKE LEVER	included w/shifters
DISC ROTOR	Shimano SM-RT86, diam. 160mm
FRONT HUB	Formula RX-812 road disc, alloy 32h, 6 bolts, 2 sealed bearings, J-bend, thru axle 12x100mm
REAR HUB	Ebikemotion X35 Plus motor unit
RIM/WHEELSET	AlexRims GD24 disc 700c 622-21, 24mm profile, tubeless ready, 32hole
TIRE	Vittoria Zaffiro Pro V G2.0 700x32, 32-622, folding full black
STEM	Reparto Corse Alloy 6061, rise +/-7°, 1.1/8", Ext: 90mm-XS, 100mm-SM, 110mm-MD/LG, 120mm-XL
HANDLEBAR	Reparto Corse Compact, Flat Top, alloy 6061 diam. 31,8mm, reach 80mm, drop 130mm, size: 400mm-XS/SM, 420mm-MG/LG, 440mm-XL
GRIP / TAPE	La Spirale Ribbon cork w/carbon look plugs w/Bianchi logo
SEATPOST	Reparto Corse Alloy 6061 shaft, forged alloy head, 15mm offset, diam. 31,6mm length: 300mm-XS/SM, 350mm-MD/XL
SADDLE	Selle Royal 2315HRN, steel rail, w/open, PU cover, 250x148mm
MOTOR UNIT	Ebikemotion X35 PLUS, w/250Wh battery and iWOC One remote control, ANT+ compatible with Garmin



IMPULSO E-ALLROAD - GRX 600 1X11SP



THE IMAGE SHOWN IS INDICATIVE ONLY. Components and graphic details may differ from the actual model.

CODE	YQBM6	TIRE	Kenda Flintridge 700x35, 60TPI, black
COLOR	IG - Black/Titanium matt	STEM	Reparto Corse, Alloy 6061, rise +/-7°, 1.1/8", Ext: 90mm-XS, 100mm-SM, 110mm-MG/LG, 120mm-XL
FRAME	Impulso E-Road, PressFit BB, head tube 1.1/8", Disc brake flat mount, QR system, OLD 135mm, sizes XS-SM-MD-LG-XL	HANDLEBAR	Reparto Corse Aluminum 6061, reach 70mm, flare angle 16°, drop cc 120mmx40cm and 130mmx42/44cm, size: 400mm-XS/SM, 420mm-MD/LG, 440mm-XL
SEATPOST CLAMP	included in the frame	GRIP / TAPE	La Spirale Ribbon cork w/carbon look plug w/Bianchi logo
HEADSET	Fsa NO.8B/ZS4D 1.1/8" semi-integrated lower part + integrated upper part, w/15mm Top cover for 46mm/50 OD head tube	SEATPOST	Reparto Corse Alloy 6061 shaft, forged alloy head, 15mm offset, diam. 31.6mm length: 300mm-XS/SM, 350mm-MD/XL
FORK	Bianchi Full Carbon Disc 1.1/8", thru axle 12x100mm, flat mount caliper	SADDLE	Selle Royal 2315HRN, steel rails, w/open, PU cover, 250x148mm
SHIFTER	Shimano GRX 600 ST-RX600 1x11sp	MOTOR UNIT	Ebikemotion X35 PLUS motor unit 250W, w/250Wh integrated battery and iWOC One remote control, BLE & ANT+ compatible
REAR DERAILLEUR	Shimano GRX RX 812 RD-RX812 11sp, top normal Shadow Plus Design, direct attachment, direct mount compatible		
CRANKSET	Shimano GRX 600 FC-RX600 40T, Crank Length: 170mm-XS/SM, 172.5mm-MD/LG, 175mm-XL		
BOTTOM BRACKET	Shimano BB-RS500-PB, press fit		
CHAIN	Kmc X11-1 EPT finish, 11sp		
CASSETTE / FREEWHEEL	Shimano SLX CS-M7000, 11sp 11-13-15-17-19-21-24-28-32-37-42T		
BRAKE	Shimano BR-RX400, hydraulic disc brake, flat mount calipers		
BRAKE LEVER	included w/shifters		
DISC ROTOR	Shimano SM-RT86, diam. 160mm		
FRONT HUB	Formula RX-812 road disc, alloy 32h, 6 bolts, 2 sealed bearings, J-bend, thru axle 12x100mm		
REAR HUB	Ebikemotion X35 Plus motor unit		
RIM/WHEELSET	AlexRims GD24 disc 700c 622-21, 24mm profile, tubeless ready, 32hole		



IMPULSO E-ALLROAD - GRX 600 11SP



CODE	YQBN7	TIRE	Kenda Flintridge 700x40, 60TPI, black
COLOR	3D - Black/CK16-Graphite matt	STEM	Reparto Corse 3D forged Alloy 6061, 7", diam. 31.8mm, 1.1/8", Ext: 70mm-47cm, 90mm-50cm, 100mm-53cm, 110mm-55cm, 120mm-57/59cm, 130mm-61/63cm
FRAME	Impulso E-Road Alu Triple Hydroforming Technology. Integrated headset 1.1/8", 700C OLD 142mm, thru axle, flat mount disc, size: 47-50-53-55-57-59-61-63cm	HANDLEBAR	Reparto Corse Aluminum 6061, reach 70mm, flare angle 16°, drop cc 120mm x size 40cm and 130mm x size 42/44cm, Size: 400mm-47/50cm, 420mm-53/57cm, 440mm-59/63cm
SEATPOST CLAMP	MX-112C alloy, diam. 35mm	GRIP / TAPE	La Spirale Bike Ribbon Eolo Soft w/carbon look plug w/Bianchi logo
HEADSET	Fsa NO.8B/ZS4D 1.1/8" semi-integrated lower part + integrated upper part, w/15mm Top cover for 46mm/50 OD head tube	SEATPOST	Reparto Corse AL6061 shaft, alloy head, 15mm offset, diam. 31.6mm, length 350mm
FORK	Bianchi Full Carbon Disc 1.1/8", thru axle 12x100mm, flat mount caliper	SADDLE	Selle Royal SR 2302HRN w/hole, steel rail, PU soft touch cover, 280x145mm
SHIFTER	Shimano GRX 600 ST-RX600 2x11sp	MOTOR UNIT	Polini EP3, w/battery pack 500W - 36V - 13.6Ah, EP3 display, magnet and wheel sensor
REAR DERAILLEUR	Shimano GRX 810 RD-RX810 Shadow+ Design 11sp, top normal, direct attachment		
FRONT DERAILLEUR	Shimano GRX 810 FD-RX810, down-swing, down pull, braze-on type, 61-66°, for 46-50T, CL:46mm		
CRANKSET	Fsa Alloy 50x34, crank length: 170mm-47/57cm, 175mm-59-63cm		
BOTTOM BRACKET	included w/motor unit		
CHAIN	Kmc X11eS-EPT finish		
CASSETTE / FREEWHEEL	Shimano CS-HG70011, 11-13-15-17-19-21-23-25-27-30-34T		
BRAKE	Shimano BR-RX400, hydraulic disc brakes, flat mount calipers		
BRAKE LEVER	included w/shifters		
DISC ROTOR	Shimano SM-RT70, Center Lock, with Ice Technology, diam. 160mm		
RIM/WHEELSET	Fulcrum Racing 700 Disc Brake CX, R700 aluminum asymmetric rims 622x19c, profile 22mm, Center Lock AFS, thru axle front 12x100mm, rear 12x142mm		



E-MTB

E-SUV
T-TRONIK PERFORMER
T-TRONIK REBEL
T-TRONIK SPORT



E-SUV

Human-machine interaction reaches a new threshold with the new bianchi e-suv: a disruptive e-mtb, with 720Wh battery and integrated lights, that embodies the marriage of style and function.

KEY FEATURES

- Full carbon frame 150mm rear travel
- Integrated front, rear and side lights
- Shimano EP8 250W 85Nm central motor unit w/torque sensor, speed sensor and cadence sensor
- Max assistance up to 400%
- 720Wh integrated battery
- Boost 12x148mm rear axle
- Internal cable routing
- Custom carbon integrated handlebar/stem system (Racer and Rally model only)
- 1.5/1.5" ACR headset
- Asymmetrical swing arm
- Unique battery cooling system
- Wheel size 29x2.6 or 29x2.6/27.5x2.8
- 3 Sizes (17,19,21")



RIDING ON ROUGH TERRAIN
WITH DROPS OF LESS THAN 122 cm

DESIGNED FOR

Challenging off-road trails. For hardcore e-racer or for exploration and enjoyment.

COURSE/TERRAIN

Road Mixed Trail City

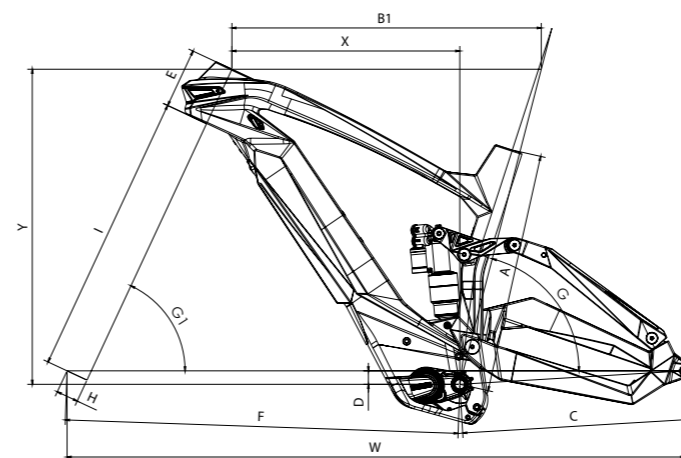
ACTIVITY

Race Training Daily use

720Wh
battery

6h
charging time

3
assistance levels
• Eco • Trail • Boost



E-SUV RACER 29"/29" - 150/160mm TRAVEL

SIZE	A	B1	C	D	E	F	G	G1	H	X	Y	W	
M	17"	440	600	452	27	110	766	75.5°	65°	44	442	623	1216
L	19"	480	620	452	27	120	788	75.5°	65°	44	460	631	1238
XL	21"	520	645	452	27	130	814	75.5°	65°	44	482	641	1265

E-SUV RALLY & ADVENTURE 27,5"/29" - 150/150mm TRAVEL

SIZE	A	B1	C	D	E	F	G	G1	H	X	Y	W	
M	17"	440	600	452	30	110	762	75.5°	65°	44	440	624	1212
L	19"	480	620	452	30	120	784	75.5°	65°	44	458	633	1234
XL	21"	520	645	452	30	130	811	75.5°	65°	44	480	642	1261



ONE MODEL. THREE VERSIONS.

E-SUV RACER

The e-SUV Racer benefits from a purity of purpose and industry-leading componentry, making it a true winner. It is designed, without integrated lights and fenders, for the hardcore racer, the rider who loves feeling the thrill of speed and conquering the toughest trails. One of its standout features is the integrated handlebar and stem system, designed in-house at Bianchi. 29er wheels are full-carbon, 150mm rear travel and 160mm front travel.

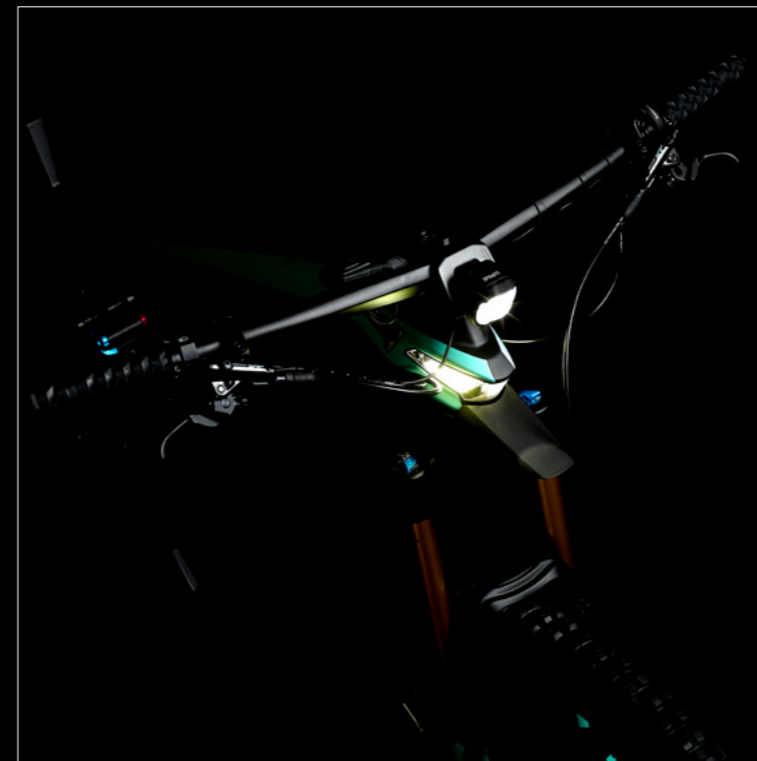
E-SUV RALLY

The e-SUV Rally can take on anything and go all night. It is less about competition and more about exploration and enjoyment, and to that end it boasts integrated lights and fenders. The

supplementary front light throws out 1,100 lumens with a 200m beam, more than enough for you to ride technical trails well into the night. The Rally also has a 29er front wheel paired with a 27.5 back wheel, providing great grip and comfort from the back, and letting you really throw your weight forward when you want more traction and precision.

E-SUV ADVENTURE

The e-SUV Adventure was created for challenging off-road trails, but it can also handle urban riding with ease. Let the name of the model fuel the fires of your inspiration as you seek out new, uncharted routes. Like the Rally and the Racer, the Adventure has a Shimano motor and 720Wh battery - massive power and lifespan to truly unlock those far-flung places. It also boasts a full-carbon frame and integrated lights and fenders, just like the Rally model.



FULL CARBON INTEGRATED HANDLEBAR

The handlebar is designed as a single lightweight carbon element with integrated cable system.

INTEGRATED LIGHTS

Attention to rider's safety and well-being is key to the Bianchi Lif-e project. With this in mind we have designed the new e-SUV with integrated front, side and rear led lights. Integrated lights are available on the Rally and Adventure models only

ADVANTAGES:

- Improved visibility during night time or low light conditions
- See and be seen in case of urban commuting trails

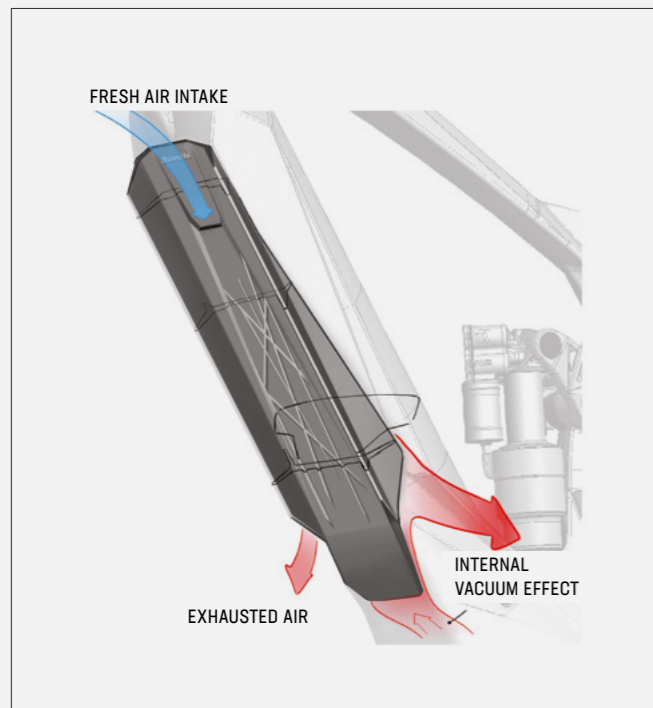
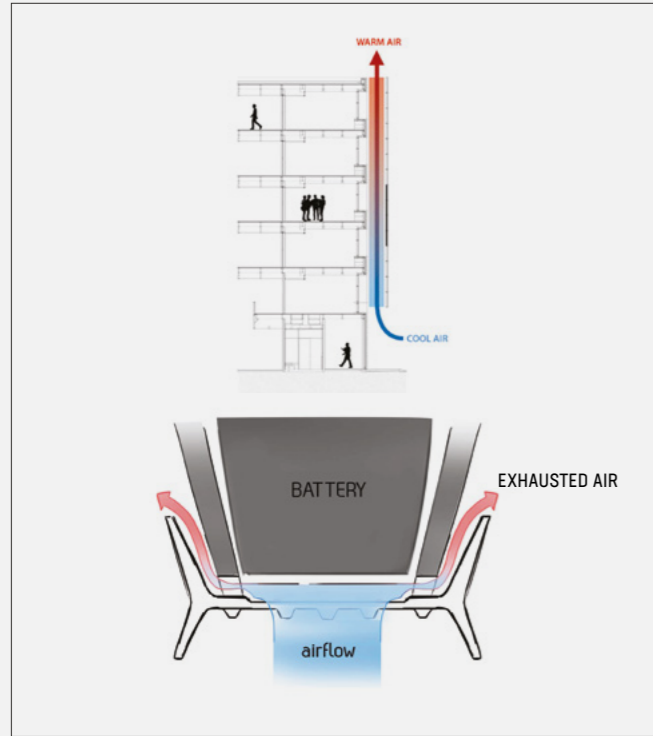


ASYMMETRIC CHAINSTAY

- Prevent chainstay damages
- Decrease the noise from the chain hitting the frame
- Aesthetics

COOLING SYSTEM

The Bianchi SUV features a 720Wh fully integrated battery. The battery cover features a unique cooling system inspired by the self ventilated facades in modern architecture. It works as a forced air vertical duct that prevents the engine and the battery from overheating. An intake allows the fresh air to enter from the top. The fresh air flows trough an internal duct above the battery and escapes from the bottom. This flow works as a vacuum system and reduces the heat of both the battery and the motor.



E-SUV RACER - XTR 1X12SP



CODE	YQBQ1
COLOR	CM - Black matt/CK16-Chrome glossy
FRAME	Bianchi E-SUV 150mm Full Carbon, 1.5" tapered HT, seatpost diam. 31,6mm, integrated seat clamp, PM180mm dropout, thru axle 12x148mm, internal cable routing inside DT, sizes 43, 48, 53cm
REAR SHOCK	Fox Float X2 Factory, Trunnion 185/55, LV, EVOL, 3 position Lever w/open mode adj, lower hardware 8x24,88mm
SEATPOST CLAMP	integrated
HEADSET	Fsa NO.55R/558 1.5"
FORK	Fox 38 Float 29" Factory, e-MTB + version, 160mm travel, Fit4 3 Pos Lever w/micro adjuster, Kashima upper tubes, Rebound, Air spring pressure, 1.5" tapered HT, Kabolt 15x110mm BOOST axle, 44mm rake
SHIFTER	Shimano XTR SL- M9100IR 1x12sp, I-spec EV
REAR DERAILLEUR	Shimano XTR RD-M9100SGS Shadow+ Design 12sp, top normal, direct attachment, Max 10-51T
CRANKSET	Shimano FC-EM600 Alu crank 165mm, 24mm axle w/ custom chainguide for 30-38T
BOTTOM BRACKET	Included w/motor unit
CHAIN	Shimano CN-M8100, 12sp
CASSETTE / FREEWHEEL	Shimano CS-M8100-12, 10-51T

BRAKE	Shimano BR-M9120, 4 pistons brakes, resin pad, w/203mm front & rear adapter
DISC ROTOR	Shimano RT-MT900 front & RT-EM910 rear with magnet for speed sensor, 203mm front & rear, Center Lock
RIM/WHEELSET	DT Swiss HXC1200 Spline Carbon 29" 30mm, thru axle 15x110mm front, 12x148mm rear, Shimano 12sp Microspline body, TL-ready rim w/tubeless band and valve, Center Lock
TIRE	Kenda Hellkat 29x2.6, 60TPI EMC, DTC compound, 66-622 folding type
STEM	integrated with handlebar (one piece)
HANDLEBAR	Bianchi integrated carbon handlebar-stem, rise +6°, 800mm width, stem length: 40mm, 7° backsweep, 5° upsweep, 25mm rise
GRIP / TAPE	T-One Rock T-GP34 single lock grip, TPR, plastic inner body, aluminium clamp
SEATPOST	Fox Transfer Factory, diam 31,6mm, travel: 125mm-17", 150mm-19,21"
SADDLE	Fi'zi:k Alpaca Terra, S alloy rail, 249x145mm
MOTOR UNIT	Shimano EP8 motor unit w/DU-EP800 drive unit, 44T chainring, speed sensor w/720Wh integrated battery



E-SUV RALLY - XTR 1X12SP



CODE	YQBQ2
COLOR	CM - Black matt/CK16-Chrome glossy
FRAME	Bianchi E-SUV 150mm Full Carbon, 1.5" tapered HT, seatpost diam. 31,6mm, integrated seat clamp, PM180mm dropout, thru axle 12x148mm, internal cable routing inside DT, sizes 43, 48, 53cm
REAR SHOCK	Fox Float DPX2 Factory, Trunion 185/55, LV, EVOL, 3 position Lever w/open mode adj, lower hardware 8x24,88mm
SEATPOST CLAMP	integrated
HEADSET	Fsa NO.55R/558 1.5"
FORK	Fox 38 Float 29" Factory, e-MTB version, 150mm travel, Fit4 3 Pos Lever w/micro adjuster, Kashima upper tubes, Rebound, Air spring pressure, 1.5" tapered HT, Kabolt 15x110mm BOOST axle, 44mm rake
SHIFTER	Shimano XTR SL- M9100IR 1x12sp, I-spec EV
REAR DERAILLEUR	Shimano XTR RD-M9100SGS Shadow+ Design 12sp, top normal, direct attachment, Max 10-51T
CRANKSET	Shimano FC-EM600 Alu crank 165mm, 24mm axle w/ custom chainguide for 30-38T
BOTTOM BRACKET	Included w/motor unit
CHAIN	Shimano CN-M8100, 12sp
CASSETTE / FREEWHEEL	Shimano CS-M8100-12, 10-51T
BRAKE	Shimano BL-M8120, 4 pistons brakes, resin pad, w/203mm front & rear adaptor
DISC ROTOR	Shimano front RT-MT800 & rear RT-EM810 with magnet for speed sensor, diam. 203mm front & rear, Center Lock

RIM/WHEELSET	DT Swiss HX 1501 Spline 27,5 rear 35mm & 29 front" 30mm, thru axle 15x110mm front, 12x148mm rear, Shimano 12sp Microspline body, TL-ready rim w/tubeless band and valve, Center Lock
TIRE	Front: Kenda Hellkat 29x2.6, 60tpi EMC, DTC compound, 66-622 folding typeRear: Kenda Regolith 27,5x2.8, 60tpi EMC, DTC compound, 71-584 folding type
STEM	integrated with handlebar (one piece)
HANDLEBAR	Bianchi integrated carbon handlebar-stem, rise +6°, 800mm width, stem length: 40mm, 7° backsweep, 5° upsweep, 25mm rise
GRIP / TAPE	T-One Rock T-GP34 single lock grip , TPR, plastic inner body, aluminium clamp
SEATPOST	Fox Transfer Factory, diam 31,6mm, travel: 125mm-17", 150mm-19,21"
SADDLE	Fi'zi:k Alpaca Terra, S alloy rail, 249x145mm
FRONT LIGHT	Spanninga integratd front lights + Lupine SL-F Shimano
REAR LIGHT	Spanninga integratd rear lights
MUDGUARD	Front & rear integrated mudguards
MOTOR UNIT	Shimano EP8 motor unit w/DU-EP800 drive unit, 44T chainring, speed sensor w/720Wh integrated battery



E-SUV ADVENTURE - GX EAGLE 1X12SP



CODE	YQBQ3
COLOR	CM - Black matt/CK16-Chrome glossy
FRAME	Bianchi E-SUV 150mm Full Carbon, 1.5" tapered HT, seatpost diam. 31,6mm, integrated seat clamp, PM180mm dropout, thru axle 12x148mm, internal cable routing inside DT, sizes 43, 48, 53cm
REAR SHOCK	Rock Shox Deluxe Select+ RL, 185/55 TR, black finish tube, external rebound adjustment, lockout, hardware 8x25mm
SEATPOST CLAMP	integrated
HEADSET	Fsa NO.55R/558 1.5"
FORK	Rock Shox ZEB Select 29B" DebonAir 150mm, Extl rebnd, Charger RC Damper , 1.5" Alu HT, thru axle Maxle Stealth 15x110mm BOOST, 38mm stanchions, E-MTB Decal, PM 200mm disc mount, 44mm offset
SHIFTER	Sram GX EAGLE 1x12sp trigger single click for e-bike
REAR DERAILLEUR	Sram GX Eagle 12sp long cage carbon
CRANKSET	Shimano FC-EM600 Alu crank 165mm, 24mm axle, w/ SRAM XSYN2 34T chainring,w/custom chainguide for 30-38T
BOTTOM BRACKET	Included w/motor unit
CHAIN	Sram NX Eagle 12sp
CASSETTE / FREEWHEEL	Sram PG1230, 12sp, 11-50T
BRAKE	Shimano BL-M6120, w/203mm rear adaptor, resin pad
DISC ROTOR	Shimano RT-64 Front & RT-EM600 Rear with magnet for speed sensor, 203mm front & rear, Center Lock

RIM/WHEELSET	DT Swiss H1900 Spline 27,5 35mm rear & 29 30mm front, thru axle 15x110mm front, 12x148mm rear, Shimano body, TL-ready rim w/tubeless band and valve, Center Lock
TIRE	Front: Kenda Hellkat 29x2.6, 60tpi EMC, DTC compound, 66-622 folding typeRear: Kenda Regolith 27,5x2.8, 60tpi EMC, DTC compound, 71-584 folding type
STEM	Tec Cursus, 0°, 1.1/8", diam. 35mm, ext: 50mm
HANDLEBAR	Tec Cursus rise double butted AL7050, width 780mm diam. 35mm, rise 20mm, backsweep 9°
GRIP / TAPE	T-One Rock T-GP34 single lock grip , TPR, plastic inner body, aluminium clamp
SEATPOST	Dropper post, diam 31,6mm, internal remote cable routing, travel: 125mm-17", 150mm-19/21"
SADDLE	Fi'zi:k Alpaca Terra, S alloy rail, 249x145mm
FRONT LIGHT	Spanninga integrated front light
REAR LIGHT	Spanninga integratd rear lights
MUDGUARD	Front & rear integrated mudguards
MOTOR UNIT	Shimano EP8 motor unit w/DU-EP800 drive unit, 44T chainring, speed sensor w/720Wh integrated battery



T-TRONIK PERFORMER



RIDING ON ROUGH TERRAIN
WITH DROPS OF LESS THAN 122 cm

Aggressive trail e-Mtb with carbon frame, designed to climb steep mountains with total downhill control.

KEY FEATURES

- Carbon frame with aluminum rear triangle
- Travel: 150/160mm front, 140mm rear
- Shimano EP8 250W 85Nm central motor unit w/torque sensor, speed sensor and cadence sensor
- Max support up to 400%
- Battery: 630Wh
- Wheel size: 29x2.6, compatible with: 27.5x2.8
- BB Height adjustability through a flip chip positioned on shock rocker link
- Custom top cap w/top tube impact protection
- Internal cable routing
- Fox Live Valve system compatible
- 1.5/1.5 ACR headset
- Boost 12x148mm rear axle
- 4 sizes: S, M, L, XL

DESIGNED FOR

Expert riders who love to shred the trails.

COURSE/TERRAIN

Road	Mixed	Trail	City
------	-------	--------------	------

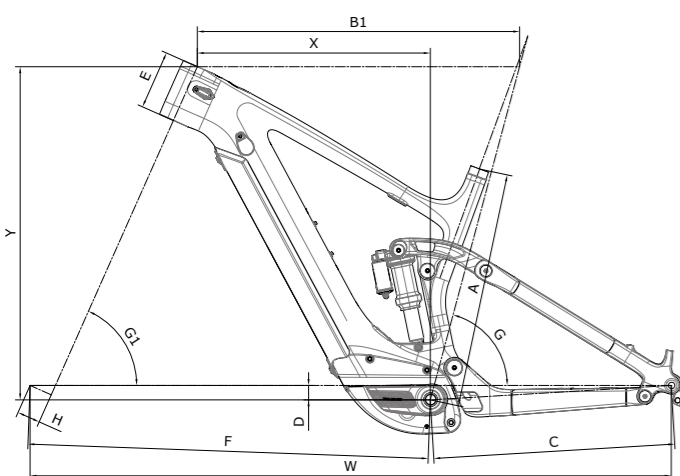
ACTIVITY

Race	Training	Daily use
-------------	-----------------	-----------

630Wh
battery

5/6h
charging time

3
assistance levels
• Eco • Trail • Boost



FLIP CHIP POSITION "HIGH BB"

SIZE	A	B1	C	D	E	F	G	G1	H	X	Y	W	
S	15"	400	574	450	27	100	719	75°	66°	44	414	613	1168
M	17"	440	603	450	27	110	750	75°	66°	44	440	622	1199
L	19"	480	630	450	27	125	779	75°	66°	44	464	636	1229
XL	21"	520	654	450	27	140	806	75°	66°	44	484	649	1255

FLIP CHIP POSITION "LOW BB"

SIZE	A	B1	C	D	E	F	G	G1	H	X	Y	W	
S	15"	400	576	453	36	100	719	74,3°	65,3°	44	406	618	1170
M	17"	440	605	453	36	110	750	74,3°	65,3°	44	432	628	1201
L	19"	480	632	453	36	125	779	74,3°	65,3°	44	456	641	1231
XL	21"	520	656	453	36	140	806	74,3°	65,3°	44	476	655	1257

STYLE AND PERFORMANCE

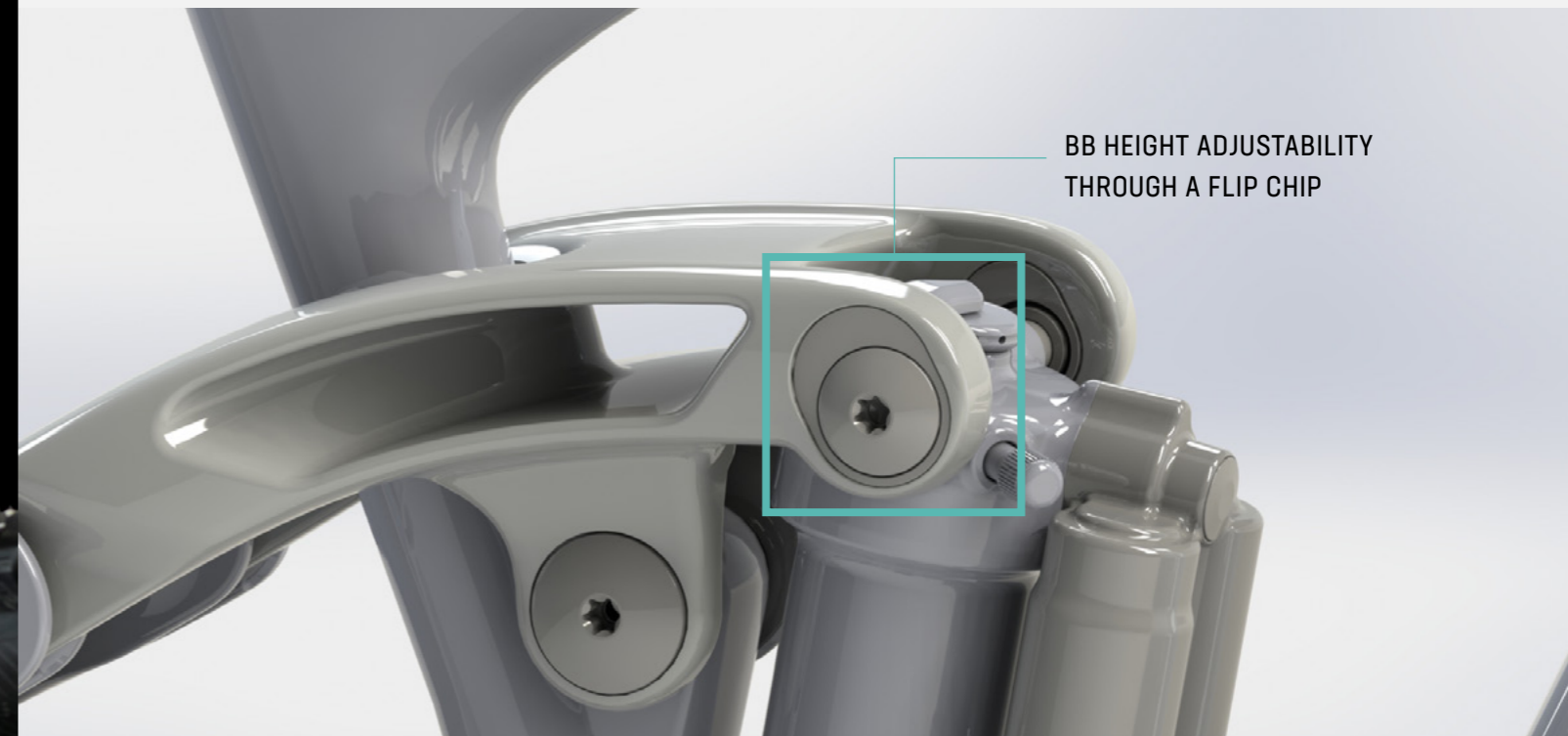
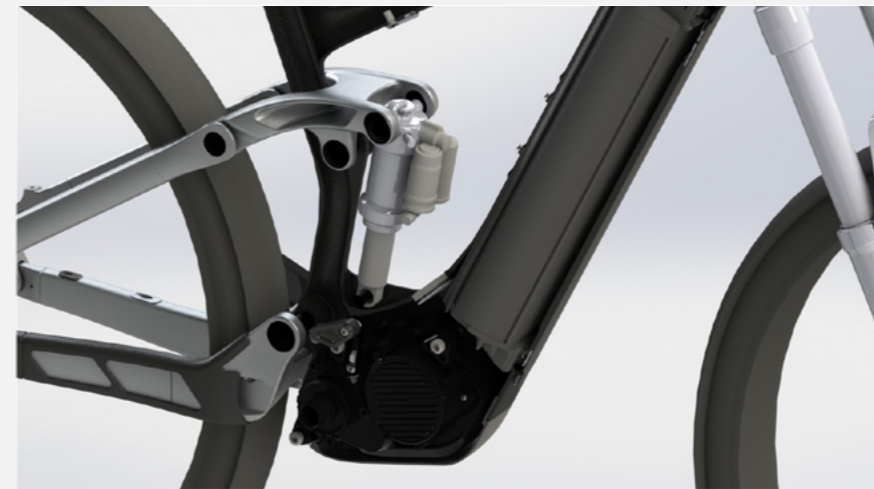
**150/160mm FRONT
140mm REAR TRAVEL**

means the T-Tronik Performer makes easy work of the roughest of trails. The aluminum rear triangle provides strength and reliability needed for big days of riding.





CUSTOM
630Wh BATTERY



BB HEIGHT ADJUSTABILITY
THROUGH A FLIP CHIP



CUSTOM TOP CAP W/TOP
TUBE IMPACT PROTECTION

T-TRONIK PERFORMER 9.1 - XTR/XT IX12SP



CODE	YQBU7
COLOR	5G - Black/CK16 glossy
FRAME	T-Tronik Performer 140mm Carbon front triangle, rear alu triangle, 1.5" tapered HT, seatpost diam. 31.6mm, seat clamp diam. 34.9mm, PM 180mm, thru axle 12x148mm, internal cable routing inside DT, sizes 38, 43, 48, 53cm
REAR SHOCK	Fox Float DPS Factory, Trunnion 185/50, LV, EVOL, 3 position Lever, lower hardware 8x24,88mm
SEATPOST CLAMP	Alu, 35.4mm clamp
HEADSET	Fsa NO.77R 1.5"/ICR SB
FORK	Fox 38 Float 29" Factory, e-MTB + version, 160mm travel, Fit4 3 Pos. lever w/micro adjuster, Kashima upper tubes, Rebound, Air spring pressure, 1.5" tapered HT, Kabolt 15x110mm BOOST axle, 44mm rake
SHIFTER	Shimano XT SL- M8100R 12sp
REAR DERAILLEUR	Shimano XTR RD-M9100SGS Shadow+ Design 12sp, top normal, direct attachment, Max 10-51T
CRANKSET	Shimano FC-EM600 Alu crank 165mm, 24mm axle w/ custom chainguide for 30-38T
BOTTOM BRACKET	Included w/motor unit
CHAIN	Shimano CN-M7100 12sp
CASSETTE / FREEWHEEL	Shimano CS-M7100-12, 12sp, 10-51T

BRAKE	Shimano BL-M8120, 4 pistons brakes, resin pad, w/203mm front & rear adaptor
DISC ROTOR	Shimano front RT-MT800 & rear RT-EM810 with magnet for speed sensor, diam. 203mm front & rear, Center Lock
RIM/WHEELSET	DT Swiss H1700 Spline 29" 30mm, thru axle front 15x110mm, rear 12x148mm, Shimano 12sp Microspline body, TL-ready rim w/tubeless band and valve, Center Lock
TIRE	Kenda Hellkat 29x2.6, 60TPI EMC, DTC compound, 66-622 folding type
STEM	Tec Cursus, 0°, 1.1/8", diam. 35mm, ext: 50mm
HANDLEBAR	Tec Cursus rise, double butted AL7050, width 780mm, diam.35mm, rise 20mm, backsweep 9°
GRIP / TAPE	T-One Rock T-GP34 single lock grip, TPR, plastic inner body, aluminum clamp
SEATPOST	Fox Transfer Factory, diam 31,6mm, travel: 100mm-15", 125mm-17", 150mm-19/21"
SADDLE	Fi'zi:k Alpaca Terra, S alloy rail, 249x145mm
PEDALS	Fasten NW-91K
MOTOR UNIT	Shimano EP8 motor unit w/DU-EP800 drive unit, 34T chainring, speed sensor w/630Wh integrated battery



T-TRONIK PERFORMER 9.2 - XT 1X12SP



THE IMAGE SHOWN IS INDICATIVE ONLY. Components and graphic details may differ from the actual model.

CODE	YQBU6
COLOR	5G - Black/CK16 glossy
FRAME	T-Tronik Performer 140mm Carbon front triangle, rear alu triangle, 1.5" tapered HT, seatpost diam. 31,6mm, seat clamp diam. 34,9mm, PM 180mm, thru axle 12x148mm, internal cable routing inside DT, sizes 38, 43, 48, 53cm
REAR SHOCK	Fox Float DPS Performance, Trunnion 185/50, LV, EVOL, 3 position Lever, lower hardware 8x24,88mm
SEATPOST CLAMP	Alu, 35,4mm clamp
HEADSET	Fsa NO.77R 1.5"/ICR SB
FORK	Fox 38 Float 29" Performance, e-MTB version, 150mm travel, Grip 3-Pos Lever w/micro adjuster, Rebound, Air spring pressure, 1.5" tapered HT, Kabolt 15x110mm BOOST axle, 44mm rake
SHIFTER	Shimano XT SL- M8100R 12sp
REAR DERAILLEUR	Shimano XT RD-M8100-SGS Shadow Design + 12sp, top normal, direct attachment, max 10-51T
CRANKSET	Shimano FC-EM600 Alu crank 165mm, 24mm axle w/ custom chainguide for 30-38T
BOTTOM BRACKET	Included w/motor unit
CHAIN	Shimano CN-M7100 12sp
CASSETTE / FREEWHEEL	Shimano CS-M7100-12, 12sp, 10-51T
BRAKE	Shimano BL-M8120, 4 pistons brakes, resin pad, w/203mm front & rear adaptor
DISC ROTOR	Shimano RT-64 Front & RT-EM600 Rear with magnet for speed sensor, 203mm front & rear, Center Lock
RIM/WHEELSET	DT Swiss H1900 Spline 29" 30mm, thru axle front 15x110mm, rear 12x148mm, Shimano 12sp body, TL-ready rim w/tubeless band and valve, Center Lock

TIRE	Kenda Hellkat 29x2.6, 60TPI EMC, DTC compound, 66-622 folding type
STEM	Tec Cursus, 0°, 1.1/8", diam. 35mm, ext: 50mm
HANDLEBAR	Tec Cursus rise, double butted AL7050, width 780mm, diam.35mm, rise 20mm, backsweep 9°
GRIP / TAPE	T-One Rock T-GP34 single lock grip , TPR, plastic inner body, aluminum clamp
SEATPOST	Dropper post, diam. 31,6mm, internal remote cable routing w/remote, travel: 100mm-15", 125mm-17", 150mm -19/21"
SADDLE	Fi'zi:k Alpaca Terra, S alloy rail, 249x145mm
PEDALS	Fasten NW-91K
MOTOR UNIT	Shimano EP8 motor unit w/DU-EP800 drive unit, 34T chainring, speed sensor w/630Wh integrated battery



T-TRONIK PERFORMER 9.3 - XT MIX 1X12SP

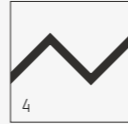


CODE	YQBU5
COLOR	5G - Black/CK16 glossy
FRAME	T-Tronik Performer 140mm Carbon front triangle, rear alu triangle, 1.5" tapered HT, seatpost diam. 31,6mm, seat clamp diam. 34,9mm, PM 180mm, thru axle 12x148mm, internal cable routing inside DT, sizes 38, 43, 48, 53cm
REAR SHOCK	Fox Float DPS Performance, Trunnion 185/50, LV, EVOL, 3 position Lever, lower hardware 8x24,88mm
SEATPOST CLAMP	Alu, 35,4mm clamp
HEADSET	Fsa NO.77R 1.5"/ICR SB
FORK	Rock Shox Yari RC 29B" Solo Air, 150mm, MOTION Control Damper, 1.5" Alu HT, Maxle Stealth thru axle 15x110mm BOOST, 35mm stanchions, PM 180mm disc mount, 42mm offset
SHIFTER	Shimano Deore SL-M6100-IR 1x12sp
REAR DERAILLEUR	Shimano XT RD-M8100-SGS Shadow Design + 12sp, top normal, direct attachment, max 10-51T
CRANKSET	Shimano FC-EM600 Alu crank 165mm, 24mm axle w/ custom chainguide for 30-38T
BOTTOM BRACKET	Included w/motor unit
CHAIN	Shimano CN-M6100, 12sp
CASSETTE / FREEWHEEL	Shimano CS-M7100-12, 12sp, 10-51T
BRAKE	Shimano BR-M6120, resin pad, w/203mm front & rear adapter
DISC ROTOR	Shimano RT-64 Front & RT-EM600 Rear with magnet for speed sensor, 203mm front & rear, Center Lock
FRONT HUB	Formula CL-811 for Center Lock, 32h 15x110mm, sealed bearings

REAR HUB	Shimano FH-MT510-B, Centerlock, 32h 12x148mm, Shimano 12sp body
RIM/WHEELSET	Wtb KOM Trail i30 TCS 2.0 29", 32 hole
TIRE	Kenda Hellkat 29x2.6, 60TPI EMC, DTC compound, 66-622 folding type
STEM	Tec Cursus, 0°, 1.1/8", diam. 35mm, ext: 50mm
HANDLEBAR	Tec Cursus rise, double butted AL7050, width 780mm, diam. 35mm, rise 20mm, backsweep 9°
GRIP / TAPE	T-One Rock T-GP34 single lock grip , TPR, plastic inner body, aluminum clamp
SEATPOST	Dropper post, diam. 31,6mm, internal remote cable routing w/remote, travel: 100mm-15", 125mm-17", 150mm -19/21"
SADDLE	Fi'zi:k Alpaca Terra, S alloy rail, 249x145mm
PEDALS	Fasten NW-91K
MOTOR UNIT	Shimano EP8 motor unit w/DU-EP800 drive unit, 34T chainring, speed sensor w/630Wh integrated battery



T-TRONIK REBEL



RIDING ON ROUGH TERRAIN
WITH DROPS OF LESS THAN 122 cm

Aluminum full-suspension e-mtb,
to go further for longer.

KEY FEATURES

- Aluminum frame and rear triangle
- Travel: 140/150mm front, 140mm rear
- Shimano EP8 250W 85Nm central motor unit w/torque sensor, speed sensor and cadence sensor. Max support up to 400%
- Bianchi made in Italy central motor unit 250W 85Nm. Max support up to 400%
- Battery: 630Wh
- Wheel size: 29x2.6, compatible with: 27.5x2.8
- Boost 12x148mm rear axle
- Internal cable routing
- 4 sizes (S, M, L, XL)

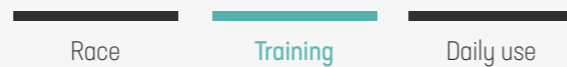
DESIGNED FOR

Bikers seeking of adveture and fun.

COURSE/TERRAIN



ACTIVITY



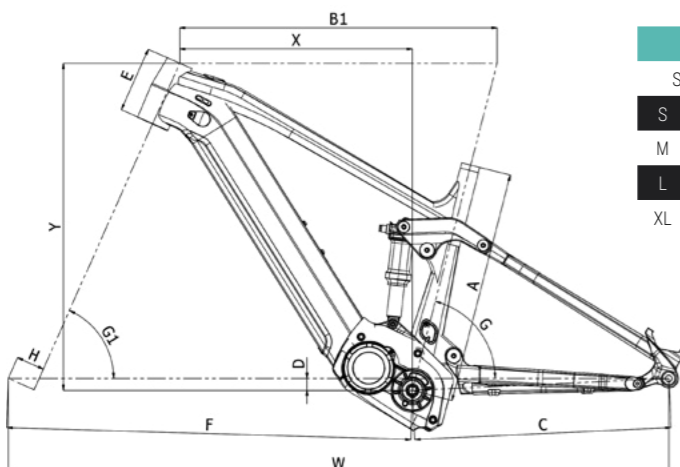
630Wh
battery

5/6h
charging time

MOTORS

5
Bianchi Motor Unit
assistance levels
• 50% • 100% • 200% • 300% • 400%

3
Shimano Motor Unit
assistance levels
• Eco • Trail • Boost



SIZE	A	B1	C	D	E	F	G	G1	H	X	Y	W	
S	15"	400	577	485	22	115	737	75,5°	66°	51	420	609	1221
M	17"	440	600	485	22	125	761	75,5°	66°	51	440	618	1245
L	19"	470	622	485	22	135	785	75,5°	66°	51	460	627	1269
XL	21"	510	644	485	22	145	809	75,5°	66°	51	480	636	1293

SHIMANO EP8 OR BIANCHI CENTRAL MOTOR UNIT (250W, 85Nm) INTEGRATED BATTERY (630Wh)

The T-Tronik Rebel has power wherever and whenever you need it. Five assistance levels mean you can adjust the power to suit your needs. Full power for climbing those never-ending gravel roads and just a touch for helping you clear the most technical uphill sections.



T-TRONIK REBEL 9.1 - XT/DEORE 1X12SP



CODE	YQBU4
COLOR	E9 - Black/CK16 full glossy, 3P - Black/Graphite full glossy
FRAME	T-Tronik Rebel FS 140mm alu 6061 triple butted, 1.5" tapered HT, seatpost diam. 31,6mm, seat clamp diam. 34,9mm, PM 160mm dropout thru axle 12x148mm, internal cable routing, sizes 38-43-48-53cm
REAR SHOCK	Rock Shox Deluxe Select+ RL, 185/50 TR, external rebound adjustment, lockout, hardware 8x25mm
SEATPOST CLAMP	MX-112C, alloy, diam. 34,9mm
HEADSET	Fsa Orbit 1.5 ZS #57 w/internal alloy cups, ACB bearings 1.1/8" Upper, 1.5" Lower, w/8mm cap
FORK	Rock Shox YARI RC 29B" Solo Air, 150mm, MOTION Control Damper, 1.5" Alu HT, Maxle Stealth thru axle 15x110mm BOOST, 35mm stanchions, PM 180mm disc mount, 42mm offset
SHIFTER	Shimano Deore SL-M6100-IR 1x12sp
REAR DERAILLEUR	Shimano XT RD-M8100-SGS Shadow Design + 12sp, top normal, direct attachment, max 10-51T
CRANKSET	Fsa Forged Alu crank length:165 mm w/Shimano SM-CRE80-12 34T chainring
BOTTOM BRACKET	Included w/motor unit
CHAIN	Shimano CN-M6100, 12sp
CASSETTE / FREEWHEEL	Shimano CS-M7100-12, 12sp, 10-51T
BRAKE	Shimano BR-M6120 resin pad, w/203mm front & rear adapter
DISC ROTOR	Shimano SM-RT64 CL 203mm front & rear, Center Lock
FRONT HUB	Shimano HB-MT400-B for Center Lock, 32h, thru axle 15x110mm

REAR HUB	Shimano FH-MT410-B for Center Lock, 32h 12x148mm BOOST, 12speed Microspline body
RIM/WHEELSET	Wtb KOM Trail i30 TCS 2.0 29", 32 holes
TIRE	Kenda Hellkat 29x2.6, 60TPI EMC, DTC compound, 66-622 folding type
STEM	Tec Obvius, 0°, 1.1/8", diam. 31.8mm, ext: 55mm
HANDLEBAR	Tec Obvius rise, AL6061-T6 double butted, width 780mm, diam. 31.8mm, 15mm rise, 9° backsweep
GRIP / TAPE	T-One Rock T-GP34 single lock grip, TPR, plastic inner body, aluminum clamp
SEATPOST	Dropper post, diam. 31,6mm, internal remote cable routing w/remote, travel: 100mm-15", 125mm-17", 150mm-19/21"
SADDLE	Selle Royal Seta S1, manganese rail, 277x144mm
PEDALS	Fasten NW-91K
MOTOR UNIT	Bianchi Motor Unit 250W 85Nm w/ Darfon 630Wh integrated battery



T-TRONIK REBEL 9.2 - NX/SX EAGLE 1X12SP



CODE	YQBU3
COLOR	E9 - Black/CK16 full glossy, 3P - Black/Graphite full glossy
FRAME	T-Tronik Rebel FS 140mm alu 6061 triple butted, 1.5" tapered HT, seatpost diam. 31,6mm, seat clamp diam. 34,9mm, PM 160mm dropout thru axle 12x148mm, internal cable routing, sizes 38-43-48-53cm
REAR SHOCK	Rock Shox Deluxe Select+ RL, 185/50 TR, black finish tube, external rebound adjustment, lockout, hardware 8X25mm
SEATPOST CLAMP	MX-112C, alloy, diam. 34,9mm
HEADSET	Fsa Orbit 1.5 ZS #57 w/internal alloy cups, ACB bearings 1.1/8" Upper, 1.5" Lower, w/8mm cap
FORK	Rock Shox Recon Silver RL 29B" Solo Air, 140mm, rebound, low speed compression to lock, 1.1/5" Alu HT, 15x110 Boost, 32mm stanchions, magnesium lowers, PM 160mm disc mount, 42mm offset
SHIFTER	Sram SX Eagle 1x12sp trigger single click for e-bike
REAR DERAILLEUR	Sram NX Eagle 12sp long cage
CRANKSET	Fsa Forged Alu, crank length:165 mm w/34T Eagle chainring
BOTTOM BRACKET	Included w/motor unit
CHAIN	Sram SX Eagle 12sp
CASSETTE / FREEWHEEL	Sram PG1210 12sp, 11-50T
BRAKE	Sram Guide T, 4 pistons calipers, w/40P front & rear adapter
DISC ROTOR	Sram Centerline, 200mm front & rear, Center Lock
FRONT HUB	Shimano HB-MT400-B for Center Lock, 32h, thru axle 15x110mm
REAR HUB	Shimano FH-MT400-B for Center Lock, 32h, 12x148mm BOOST

RIM/WHEELSET	Wtb ST Light i30 TCS 2.0 29", 32 hole
TIRE	Kenda Hellkat 29x2.6, 60TPI EMC, DTC compound, 66-622 folding type
STEM	Tec Obvius, 0°, 1.1/8", diam. 31.8mm, ext: 55mm
HANDLEBAR	Tec Obvius rise, AL6061-T6 double butted, width 780mm, diam. 31.8mm, 15mm rise, 9° backsweep
GRIP / TAPE	T-One Rock T-GP34 single lock grip, TPR, plastic inner body, aluminum clamp
SEATPOST	Dropper post, diam. 31,6mm, internal remote cable routing w/remote, travel: 100mm-15", 125mm-17", 150mm-19/21"
SADDLE	Tec Rector, 140mm width, Steel rails, Pvc soft touch cover
PEDALS	Fasten NW-91K
MOTOR UNIT	Bianchi Motor Unit 250W 85Nm w/ Darfon 630Wh integrated battery



T-TRONIK REBEL 9.2 - NX/SX EAGLE 1X12SP

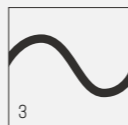


THE IMAGE SHOWN IS INDICATIVE ONLY. Components and graphic details may differ from the actual model.

CODE	YQBZ3	RIM/WHEELSET	Wtb ST light i30 TCS 2.0 29", width 30mm, 32 holes
COLOR	E9 - Black/CK16 glossy, 3P - Black/Dark Graphite glossy	TIRE	Kenda Hellkat 29x2.6, 60TPI EMC, DTC compound, 66-622 folding type
FRAME	T-Tronik Rebel FS 140mm Alu 6061 triple butted, 1.5" tapered HT, seatpost diam. 31.6mm, seat clamp diam 34.9mm, PM 160mm dropout thru axle 12x148mm, internal cable routing inside DT, sizes 38, 43, 48, 53cm	STEM	Tec Obvius, 0°, 1.1/8", diam. 31.8mm, ext: 55mm
REAR SHOCK	Rock Shox Deluxe Select+ RL, 185/50 TR, external rebound adjustment, lockout, Hardware 8x25mm	HANDLEBAR	Tec Obvius rise, AL6061-T6 double butted, width 780mm, diam. 31.8mm, 15mm rise, 9° backsweep
SEATPOST CLAMP	MX-112C, alloy, diam. 34,9mm	GRIP / TAPE	T-One Rock T-GP34 single lock grip, TPR, plastic inner body, aluminum clamp
HEADSET	Fsa Orbit 1.5 ZS #57 w/internal alloy cups, ACB bearings 1.1/8" Upper, 1.5" Lower, w/8mm cap	SEATPOST	Dropper post, diam. 31,6mm, internal remote cable routing w/remote, travel: 100mm-15", 125mm-17", 150mm-19/21"
FORK	Rock Shox Recon Silver RL 29B" Solo Air, E-MTB decal, 140mm, Extl rebound, low speed comp to lock, 1.1/5" Alu HT, 15x110 BOOST, 32mm stanchions, magnesium lowers, PM 160mm disc mount, 42mm offset	SADDLE	Tec Rector, 140mm width, Steel rails, Pvc soft touch cover
SHIFTER	Sram SX Eagle 1x12sp, trigger	PEDALS	Fasten NW-91K
REAR DERAILLEUR	Sram NX Eagle 12sp	MOTOR UNIT	Shimano EP8 motor unit, w/DU-EP800 drive unit, w/ speed sensor, w/SC-EM800 cyclecomputer, w/CD-EM800 chainguide, w/630Wh Darfon battery
CRANKSET	Fsa forged alu crank, crank length 165mm, w/34T X-Sync Eagle chainring		
BOTTOM BRACKET	Included w/motor unit		
CHAIN	Sram SX Eagle 12sp		
CASSETTE / FREEWHEEL	Sram PG1210 12sp, 11-50T		
BRAKE	Sram Guide T, 4 pistons calipers, w/40P front & rear adapter		
DISC ROTOR	Sram Centerline diam. 200mm		
FRONT HUB	Formula DC-511 Disc, 6 bolts, 32 holes, j-bend spokes, thru-axle		
REAR HUB	Formula DS-3248 Disc, 6 bolts, j-bend spokes, 32 holes, thru-axle		



T-TRONIK SPORT



RIDING ON ROUGH TERRAIN
WITH DROPS OF LESS THAN 61 cm

Neat and tidy performance e-mtb, with front suspension aluminum frame.

KEY FEATURES

- Aluminum frame
- Travel: 120mm
- Battery: 504Wh
- Shimano E7000 central motor unit 250W 60Nm.
- Bianchi made in Italy central motor unit 250W 85Nm. Max support up to 400%
- Wheel size: 29x2.35
- Boost 9x141mm QR rear dropout
- Internal cable routing
- 4 sizes (S, M, L, XL)

DESIGNED FOR

Off-road e-rides of experienced riders as well as a newcomers. From easy gravel to high altitude mountain trails. Sport and tourism is now easy than ever.

COURSE/TERRAIN



ACTIVITY



504Wh
battery

4/5h
charging time

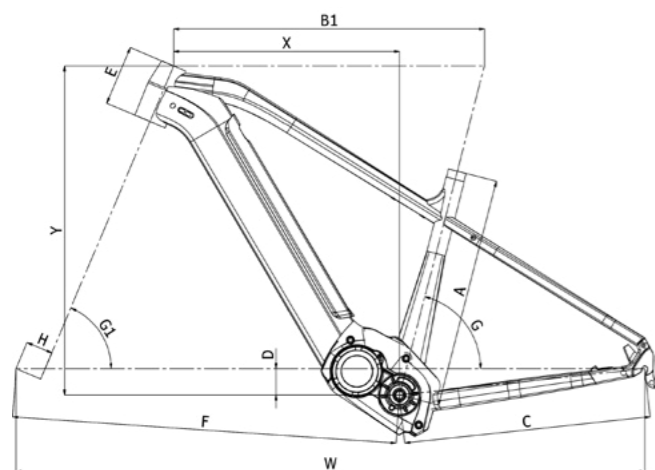
MOTORS

5

Bianchi Motor Unit
assistance levels
• 50% • 100% • 200% • 300% • 400%

3

Shimano Motor Unit
assistance levels
• Eco • Trail • Boost



SIZE	A	B1	C	D	E	F	G	G1	H	X	Y	W
S	15"	400	470	50	115	712	75,5°	67°	51	410	625	1177
M	17"	440	470	50	115	732	75,5°	67°	51	430	627	1197
L	19"	480	470	50	120	753	75,5°	67°	51	450	631	1219
XL	21"	520	470	50	125	775	75,5°	67°	51	470	635	1241



HEADS-UP DISPLAY

A heads-up display allows you to keep track of all your important metrics, like speed, power and battery levels, and also flick through your power assist levels

– FROM 50%
RIGHT UP TO
400%.



Peddaling assistance is provided by Shimano E7000 or Bianchi central motor unit fine-tuned with a mountain bike-specific setup to optimise your bike for rough and off-road riding.

250W MOTOR

POWERED BY

504Wh BATTERY

and has five powerful assistance levels at its disposal.

T-TRONIK SPORT 9.1 - DEORE 1X10SP



CODE	YQBU2
COLOR	E9 - Black/CK16 full glossy, 3P - Black/Graphite full glossy
FRAME	T-Tronik Sport HT, alu 6061 triple butted, 1.5" tapered HT, seatpost diam. 31.6mm, seatpost clamp diam. 34.9mm, PM 160mm, Boost dropout QR 12x141mm, internal cable routing, sizes 38-43-48-53cm
SEATPOST CLAMP	339QX, diam.34,9mm
HEADSET	Fsa Orbit 1.5 ZS #57 w/internal alloy cups, ACB bearings 1.1/8" Upper, 1.5" Lower, w/8mm cap
FORK	SR Suntour XCR34 AIR Boost LOR DS 29" 120mm, with LOR, 1.5" tapered HT, alloy crown, Air spring w/pre-load adjust, 34mm stanchions, PM 180mm disc mount, 15x110mm
SHIFTER	Shimano Deore SL-M4100-R 1x10sp
REAR DERAILLEUR	Shimano Deore RD-M5120 SGS 10sp, Top normal Shadow Plus design
CRANKSET	Fsa Alu, crank length:165 mm, w/Fsa e-bike specific 34T chainring
BOTTOM BRACKET	Included w/motor unit
CHAIN	Kmc e10S EPT finish, 11sp
CASSETTE / FREEWHEEL	Shimano Deore CS-M4100-10, 10sp, 11-46T
BRAKE	Shimano MT401, resin pad, w/180mm rear adapter
DISC ROTOR	Shimano SM-RT10 CL, 180mm front & rear, Center Lock
FRONT HUB	Shimano HB-MT400-B for Center Lock, 32h, thru axle 15x110mm
REAR HUB	Shimano FH-MT200-B for Center Lock, 32h, BOOST141
RIM/WHEELSET	Wtb XC25 TCS Tubeless Ready 29", AL6061-T6, 32 holes

TIRE	Kenda Slant Six Sport 29x2.35, DTC compound, 60Tpi, ETRTO 60-622
STEM	TEC Obvius forged alloy 6061, +/-7°, 1.1/8", 31.8mm, ext: 60mm-15/19", 70mm-21"
HANDLEBAR	Tec rise, DB Alloy 6061-T6, width 740mm, diam. 31,8mm, 9° backsweep, 15mm rise
GRIP / TAPE	T-One Rock T-GP34 single lock grip , TPR, plastic inner body, aluminum clamp
SEATPOST	Tec AL2014 shaft and alloy head, diam 31.6mm, 0mm setback, length: 350mm-15/17", 400mm-19/21"
SADDLE	Tec Rector, 140mm width, Steel rails, Pvc soft touch cover
MOTOR UNIT	Bianchi Motor Unit 250W 85Nm w/Phyllion 504Wh integrated battery



T-TRONIK SPORT 9.1 - SX EAGLE 1X12SP



THE IMAGE SHOWN IS INDICATIVE ONLY. Components and graphic details may differ from the actual model.

CODE	YQBU9
COLOR	E9 - Black/CK16 glossy, 3P - Black/Dark Graphite glossy
FRAME	T-Tronik Sport HT, alu 6061 triple butted, 1.5" tapered HT, seatpost diam. 31.6mm, seatpost clamp diam. 34.9mm, PM 160mm, Boost dropout QR 12x141mm, internal cable routing, sizes 38-43-48-53cm
SEATPOST CLAMP	339QX, diam.34,9mm
HEADSET	Fsa Orbit 1.5 ZS #57 w/internal alloy cups, ACB bearings 1.1/8" Upper, 1.5" Lower, w/8mm cap
FORK	SR Suntour XCR34 AIR Boost LOR DS 29" 120mm, with LOR, 1.5" tapered HT, alloy crown, Air spring w/pre-load adjust, 34mm stanchions, PM 180mm disc mount, 15x110mm
SHIFTER	Sram SX Eagle 1x12sp trigger
REAR DERAILLEUR	Sram SX Eagle 12sp
CRANKSET	Fsa Alu crank, length 165mm, w/34T X-Sync Eagle chainring
BOTTOM BRACKET	Included w/motor unit
CASSETTE / FREEWHEEL	Sram PG1210 12sp, 11-50T
BRAKE	Sram Level
DISC ROTOR	Sram Centerline 180mm
FRONT HUB	Formula DC-511 Disc, 6 bolts, 32 holes, j-bend spokes, thru-axle
REAR HUB	Formula Disc, Center Lock, J-Bend spokes, w/QR
RIM/WHEELSET	Wtb XC25 TCS Tubeless Ready 29", AL6061-T6, 32 holes
TIRE	Kenda Slant Six Sport 29x2.35, DTC compound, 60Tpi, ETRTO 60-622
STEM	TEC Obvius forged alloy 6061, +/-7°, 1.1/8", 31.8mm, ext: 60mm-15/19", 70mm-21"

HANDLEBAR	Tec rise, DB Alloy 6061-T6, width 740mm, diam. 31,8mm, 9° backsweep, 15mm rise
GRIP / TAPE	T-One Rock T-GP34 single lock grip , TPR, plastic inner body, aluminum clamp
SEATPOST	Tec AL2014 shaft and alloy head, diam 31.6mm, 0mm setback, length: 350mm-15/17", 400mm-19/21"
SADDLE	Tec Rector, 140mm width, Steel rails, Pvc soft touch cover
MOTOR UNIT	Shimano E7000 motor unit, w/DU-E7000 drive unit, w/ speed sensor, w/SC-E7000 cycle computer, w/522Wh Phyllion battery, w/4A battery charger



T-TRONIK SPORT 9.2 - ALTUS 1X9SP



CODE	YQBUI
COLOR	E9 - Black/CK16 full glossy, 3P - Black/Graphite full glossy
FRAME	T-Tronik Sport HT, alu 6061 triple butted, 1.5" tapered HT, seatpost diam. 31.6mm, seatpost clamp diam. 34.9mm, PM 160mm, Boost dropout QR 12x141mm, internal cable routing, sizes 38-43-48-53cm
SEATPOST CLAMP	339QX, diam.34,9mm
HEADSET	Fsa Orbit 1.5 ZS #57 w/internal alloy cups, ACB bearings 1.1/8" Upper, 1.5" Lower, w/8mm cap
FORK	SR Suntour XCM32 Boost NLO DS 29" 120mm, with NLO lockout, 1.5" tapered HT, alloy crown, coil spring w/pre-load adjust, steel 32mm stanchions, alloy lowers w/PM 160mm disc mount, thru axle 15x110mm
SHIFTER	Shimano Alivio SL-M3100 1x9sp
REAR DERAILLEUR	Shimano Altus RD-M2000 9sp top-normal, direct attachment, max 11-36T
CRANKSET	Fsa Alu, crank length:165 mm, w/Fsa e-bike specific 34T chainring
BOTTOM BRACKET	Included w/motor unit
CHAIN	Kmc E9s, 9sp
CASSETTE / FREEWHEEL	Shimano HG200-9, 11-13-15-17-20-23-26-30-36T
BRAKE	Shimano BR-MT200 w/180mm front & rear adapter, resin pad
DISC ROTOR	Shimano SM-RT10 CL, diam. 180mm, Center Lock, for resin pad only
FRONT HUB	Shimano HB-MT400-B for Center Lock, 32h, thru axle 15x110mm
REAR HUB	Shimano FH-MT200-B for Center Lock, 32h, BOOST141
RIM/WHEELSET	Wtb XC25 TCS Tubeless Ready 29", AL6061-T6, 32 holes

TIRE	Kenda Slant Six Sport 29x2.35, DTC compound, 60Tpi, ETRTO 60-622
STEM	TEC Obvius forged alloy 6061, +/-7°, 1.1/8", 31.8mm, ext: 60mm-15/19", 70mm-21"
HANDLEBAR	Tec rise, DB Alloy 6061-T6, width 740mm, diam. 31.8mm, 9° backsweep, 15mm rise
GRIP / TAPE	T-One Rock T-GP34 single lock grip, TPR, plastic inner body, aluminum clamp
SEATPOST	Tec AL2014 shaft and alloy head, diam 31.6mm, 0mm setback, length: 350mm-15/17", 400mm-19/21"
SADDLE	Tec Rector, 140mm width, Steel rails, Pvc soft touch cover
MOTOR UNIT	Bianchi Motor Unit 250W 85Nm w/Phyllion 504Wh integrated battery



T-TRONIK SPORT 9.2 - X5 1X9SP



THE IMAGE SHOWN IS INDICATIVE ONLY. Components and graphic details may differ from the actual model.

CODE	YQBV8
COLOR	E9 - Black/CK16 glossy, 3P - Black/Dark Graphite glossy
FRAME	T-Tronik Sport HT, alu 6061 triple butted, 1.5" tapered HT, seatpost diam. 31.6mm, seatpost clamp diam. 34.9mm, PM 160mm, Boost dropout QR 12x141mm, internal cable routing, sizes 38-43-48-53cm
SEATPOST CLAMP	339QX, diam.34,9mm
HEADSET	Fsa Orbit 1.5 ZS #57 w/internal alloy cups, ACB bearings 1.1/8" Upper, 1.5" Lower, w/8mm cap
FORK	SR Suntour XCM32 Boost NLO DS 29" 120mm, with NLO lockout, 1.5" tapered HT, alloy crown, coil spring w/pre-load adjust, steel 32mm stanchions, alloy lowers w/PM 160mm disc mount, 15x110mm TA
SHIFTER	Sram X5 9sp trigger
REAR DERAILLEUR	Sram X5 9sp long cage
CRANKSET	Fsa forged aluminum crank, length: 165mm, w/34T chainring
BOTTOM BRACKET	Included w/motor unit
CHAIN	Kmc E9s, 9sp
CASSETTE / FREEWHEEL	Sram CS PG-920, 11-34 9sp
BRAKE	Tektro HD-M275, w/180mm adapter front & rear
DISC ROTOR	Tektro 180mm, Center Lock
FRONT HUB	Formula DC-511 Disc, 6 bolts, 32 holes, j-bend spokes, thru-axle
REAR HUB	Formula Disc, Center Lock, J-Bend spokes, w/QR
RIM/WHEELSET	Wtb XC25 TCS Tubeless Ready 29", AL6061-T6, 32 holes
TIRE	Kenda Slant Six Sport 29x2.35, DTC compound, 60Tpi, ETRTO 60-622

STEM	TEC Obvius forged alloy 6061, +/-7°, 1.1/8", 31.8mm, ext: 60mm-15/19", 70mm-21"
HANDLEBAR	Tec rise, DB Alloy 6061-T6, width 740mm, diam. 31.8mm, 9° backsweep, 15mm rise
GRIP / TAPE	T-One Rock T-GP34 single lock grip, TPR, plastic inner body, aluminum clamp
SEATPOST	Tec AL2014 shaft and alloy head, diam 31.6mm, 0mm setback, length: 350mm-15/17", 400mm-19/21"
SADDLE	Tec Rector, 140mm width, Steel rails, Pvc soft touch cover
MOTOR UNIT	Shimano E7000 motor unit, w/DU-E7000 drive unit, w/speed sensor, w/SC-E7000 cycle computer, w/522Wh Phyllion battery, w/4A battery charger



E-CITY

T-TRONIK TRK
 E-SPILLO ACTIVE
 E-SPILLO LUXURY
 E-SPILLO CLASSIC
 E-SPILLO CITY



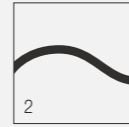
BIKE FIT CHART

HEIGHT	T-TRONIK TRK	E-SPILLO CITY	E-SPILLO CLASSIC/LUXURY	E-SPILLO ACTIVE	LONG ISLAND
m 1,50 - m 1,59	mm 380		mm 430	mm 430	mm 430
m 1,60 - m 1,63	mm 380	mm 450	mm 430	mm 430	mm 430
m 1,64	mm 380	mm 450	mm 430	mm 430	mm 430/470
m 1,65	mm 380	mm 450	mm 470	mm 470	mm 430/470
m 1,66	mm 380	mm 450	mm 470	mm 470	mm 430/470
m 1,67	mm 380	mm 450	mm 470	mm 470	mm 430/470
m 1,68	mm 380	mm 450	mm 470	mm 470	mm 470
m 1,69 - m 1,75	mm 430	mm 450	mm 470	mm 470	mm 470
m 1,76 - m 1,81	mm 480		mm 530	mm 470	mm 470
m 1,82 - m 1,87	mm 480		mm 530	mm 510	
m 1,88 - m 1,97	mm 530			mm 510	

WARNING

Please note that the bike fit chart is indicative only. Sizes and measurements may vary according to physical structure and product fit. The above measurements are referred to a Bianchi standard geometry. A consultation with a professional bike fitting expert is recommended.

T-TRONIK TRK



RIDING ON PAVED AND UNPAVED ROADS
WITH DROPS OF LESS THAN 15 cm

T-Tronik Sport TRK is part of Bianchi's new generation of pedal-assist, city-smart e-bikes. Its versatile set-up with a powerful motor-unit, an integrated battery and high-quality components make T-Tronik Sport TRK the bike for the trekking adventure and for a healthier and sustainable world.

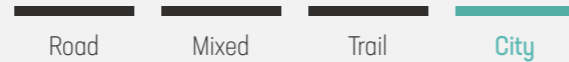
KEY FEATURES

- Aluminum frame
- Travel: 120mm
- Bianchi made in Italy central motor unit 250W 85Nm. Max support up to 400%
- Battery: 504Wh
- Wheel size: 29x2.2
- Boost 9x141mm QR rear dropout
- Internal cable routing
- Front and rear light powered by unit battery
- Rear carrier ready
- Dropout with kickstand
- 4 sizes (S, M, L, XL)

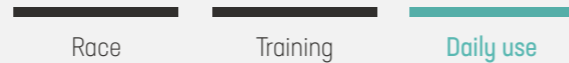
DESIGNED FOR

Versatile trekking rides. From fitness rides to a weekend get away and easy rides in the city.

COURSE/TERRAIN



ACTIVITY



504Wh
battery

4/5h
charging time

5
assistance levels
• 50% • 100% • 200%
• 300% • 400%



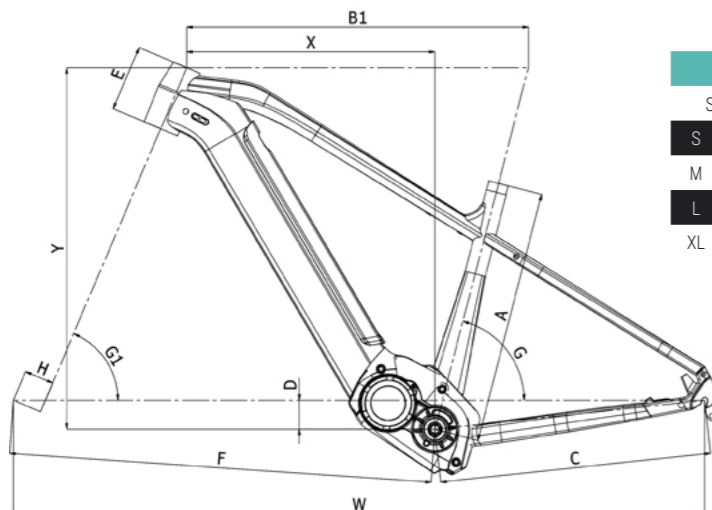
TREKKING CONFIGURATION

Rear and front lights (battery powered) and mudguards

CENTRAL MOTOR UNIT

250W - 85Nm
504Wh BATTERY

MADE IN ITALY



SIZE	A	B1	C	D	E	F	G	G1	H	X	Y	W	
S	15"	400	572	470	50	115	712	75,5°	67°	51	410	625	1177
M	17"	440	592	470	50	115	732	75,5°	67°	51	430	627	1197
L	19"	480	613	470	50	120	753	75,5°	67°	51	450	631	1219
XL	21"	520	634	470	50	125	775	75,5°	67°	51	470	635	1241



T-TRONIK SPORT 9.1 TRK - DEORE 10SP



CODE	YQBV6	TIRE	Wtb Slick 2.2 29" 54/54 27tpi Casing, Wire Bead
COLOR	6G - Dark graphite full glossy	STEM	Tec Obvius forged alloy 6061, +/-7°, 1.1/8", 31.8mm, ext: 60mm-15/19", 70mm-21"
FRAME	Bianchi T-Tronik Sport, AL6061 triple butted, 1.5" tapered HT, seatpost diam. 31.6mm, seat clamp diam. 34.9, PM 160mm dropout, Boost QR 12x141mm, internal cable routing inside DT, sizes 38, 43, 48, 53cm	HANDLEBAR	Tec rise, DB Alloy 6061-T6, width 740mm, diam. 31.8mm, 9° backsweep, 15mm rise
SEATPOST CLAMP	MX-95RT alloy diam. 35mm	GRIP / TAPE	T-One Rock T-GP34 single lock grip , TPR, plastic inner body, aluminum clamp
HEADSET	Fsa Orbit 1.5 ZS #57 w/internal alloy cups, ACB bearings 1.1/8" Upper, 1.5" Lower, w/8mm cap	SEATPOST	Tec AL2014 shaft and alloy head, diam 31.6mm, 0mm setback, length: 350mm-15/17", 400mm-19/21"
FORK	SR Suntour XCR34 AIR Boost LOR DS 29" 120mm, with LOR, 1.5" tapered HT, alloy crown, Air spring w/pre-load adjust, 34mm stanchions, PM 180mm disc mount, thru axle 15x110mm	SADDLE	Tec Rector, 140mm width, Steel rails, Pvc soft touch cover
SHIFTER	Shimano Deore SL-M4100-R 1x10sp	FRONT LIGHT	Spanninga Axendo 40, E-bike 6-36VDC (Xe) 40 Lux, 1 white Led
REAR DERAILLEUR	Shimano Deore RD-M5120-SGS Shadow Plus Design 10sp, direct attachment	REAR LIGHT	Spanninga Pimento XE 6-36 VDC
CRANKSET	Fsa Alu crank length: 165 mm, w/Fsa e-bike specific 34T chainring	REAR CARRIER	Atranvelo Commute 28" w/AVS system
BOTTOM BRACKET	Included w/motor unit	KICKSTAND	Ursus R78 King rear, 28"
CHAIN	Shimano E-6090 10sp	MUDGUARD	Alloy Mudguards EVO M75/29
CASSETTE / FREEWHEEL	Shimano CS-HG500-10, 11-13-15-18-21-24-28-32-37-42T	MOTOR UNIT	Bianchi Motor Unit 250W 85Nm w/Phyllion 504Wh integrated battery
BRAKE	Shimano BR-MT410, resin pad		
BRAKE LEVER	Included w/brakeset		
DISC ROTOR	Shimano SM-RT10 CL, 180mm front & rear, Center Lock		
FRONT HUB	Shimano HB-MT400-B for Center Lock, 32h, thru axle 15x110mm		
REAR HUB	Shimano FH-MT200-B for Center Lock, 32h, BOOST141		
RIM/WHEELSET	WTB XC25 TCS Tubeless Ready 29", AL6061-T6, 32 hole		



T-TRONIK SPORT 9.2 TRK - ALTUS 9SP

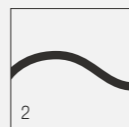


CODE	YQBV5	TIRE	Wtb Slick 2.2 29" 54/54 27tpi Casing, Wire Bead
COLOR	6G - Dark graphite full glossy	STEM	Tec Obvius 3D forged alloy 6061, +/-7°, 1.1/8", 31.8mm, ext: 60mm-15/19", 70mm-21"
FRAME	Bianchi T-Tronik Sport, AL6061 triple butted, 1.5" tapered HT, seatpost diam. 31.6mm, seat clamp diam. 34.9, PM 160mm dropout, Boost QR 12x141mm, internal cable routing inside DT, sizes 38, 43, 48, 53cm	HANDLEBAR	Tec rise, DB Alloy 6061-T6, width 740mm, diam. 31.8mm, 9° backsweep, 15mm rise
SEATPOST CLAMP	MX-95RT alloy diam. 35mm	GRIP / TAPE	T-One Rock T-GP34 single lock grip , TPR, plastic inner body, aluminum clamp
HEADSET	Fsa Orbit 1.5 ZS #57 w/internal alloy cups, ACB bearings 1.1/8" Upper, 1.5" Lower, w/8mm cap	SEATPOST	Tec AL2014 shaft and alloy head, diam 31.6mm, 0mm setback, length: 350mm-15/17", 400mm-19/21"
FORK	SR Suntour XCM32 Boost NLO DS 29" 120mm, with NLO lockout, 1.5" tapered HT, alloy crown, coil spring w/pre-load adjust, steel 32mm stanchions, alloy lowers w/PM 160mm disc mount, thru axle 15x110mm	SADDLE	Tec Rector, 140mm width, Steel rails, Pvc soft touch cover
SHIFTER	Shimano SL-M2010-9R 1x9sp	FRONT LIGHT	Spanninga Axendo 40, E-bike 6-36VDC (Xe) 40 Lux, 1 white Led
REAR DERAILLEUR	Shimano Altus RD-M2000 9sp top-normal, direct attachment, max 11-36T	REAR LIGHT	Spanninga Pimento XE 6-36 VDC
CRANKSET	Fsa Alu crank length: 165 mm, w/Fsa e-bike specific 34T chainring	REAR CARRIER	Atranvelo Commute 28" w/AVS system
BOTTOM BRACKET	Included w/motor unit	KICKSTAND	Ursus R78 King rear, 28"
CHAIN	Shimano E-6070 9sp	MUDGUARD	Alloy Mudguards EVO M75/29
CASSETTE / FREEWHEEL	Shimano CS-HG200-9, 9sp, 11-13-15-17-20-23-26-30-36T	MOTOR UNIT	Bianchi Motor Unit 250W 85Nm w/Phyllion 504Wh integrated battery
BRAKE	Shimano BR-MT200 w/180mm adapters for front & rear, resin pad		
BRAKE LEVER	Included w/brakeset		
DISC ROTOR	Shimano SM-RT10 CL, 180mm front & rear, Center Lock		
FRONT HUB	Shimano HB-MT400-B for Center Lock, 32h, thru axle 15x110mm		
REAR HUB	Shimano FH-MT200-B for Center Lock, 32h, BOOST141		
RIM/WHEELSET	Wtb XC25 TCS Tubeless Ready 29", AL6061-T6, 32 hole		



IMPULSO

E-ALL ROAD TRK



RIDING ON PAVED AND UNPAVED ROADS
WITH DROPS OF LESS THAN 15 cm

The Impulso E-Allroad TRK is more than just a trekking bike. It's fast and ready for any fitness challenge. The aluminum frame features an eBikemotion® power unit, with the motor placed in the rear wheel to keep you at the top of your game whether on pristine asphalt or rooty trails.

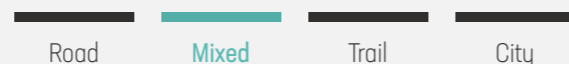
KEY FEATURES

- Aluminum hydroformed frame
- Full carbon fork
- 1.1/8" head tube
- 86.5x41mm BBset
- Flat mount calipers
- Front 12x100mm thru axle
- Mudguards and rear carrier ready
- Rear hub motor unit 250W 40Nm w/iWok one remote control
- Max support up to 100%
- Weight of the entire ebike system (motor unit, integrated battery and remote): 3.5Kg
- BLE and Ant+ compatible
- Tire size: up to 700x40
- 5 sizes: XS - S - M - L - XL

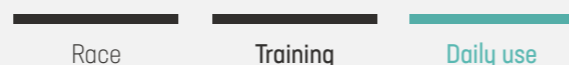
DESIGNED FOR

Active and versatile riders. For any terrain fitness rides.

COURSE/TERRAIN



ACTIVITY



250Wh

battery

3.5/4h

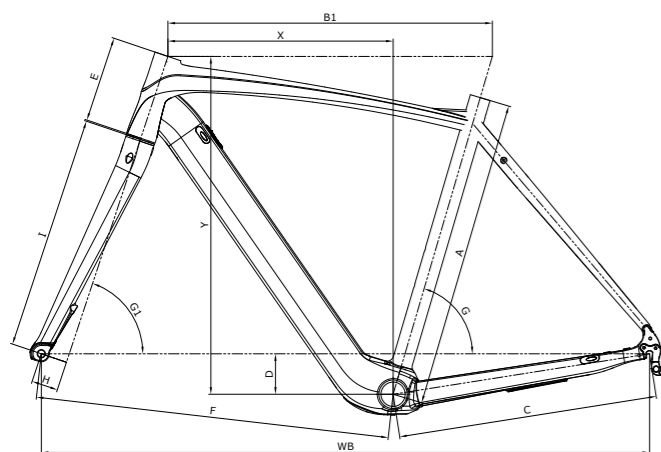
charging time

3

assistance levels
• Eco • Comfort • Power

Up to **1.200m** of elevation gain.

Autonomy could be increased
with 250W Xtra Power external battery.



MIS

	TG	A	B1	C	D	E	F	G	G1	H	I	X	Y	WB
XS	460	525	443	68	120	599	74.5°	70°	45	395	375	538	1032	
S	490	540	443	68	130	600	74°	71°	45	395	382	552	1033	
M	520	555	443	68	145	606	73.5°	71.5°	45	395	387	568	1039	
L	550	570	443	68	160	609	73°	72°	45	395	390	584	1043	
XL	580	585	443	68	180	615	72.5°	72.5°	45	395	395	604	1048	

IMPULSO E-ALLROAD TRK - DEORE 1X11SP



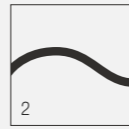
THE IMAGE SHOWN IS INDICATIVE ONLY. Components and graphic details may differ from the actual model.

CODE	YQBM7
COLOR	IG - Black/Titanium matt
FRAME	Impulso E-Allroad TRK, mechanical shifting compatible, pressfit bbset, head tube 1.1/8", Disc brake flat mount, QR system, OLD 135mm, sizes XS, SM, MD, LG, XL
SEATPOST CLAMP	included in the frame
HEADSET	Fsa NO.8B/ZS4D 1.1/8" semi-integrated lower part + integrated upper part, w/15mm Top cover for 46mm/50 OD head tube
FORK	Bianchi Full Carbon Disc 1.1/8", thru axle 12x100mm, flat mount caliper
SHIFTER	Shimano Deore SL-M5100-R 1x11sp
REAR DERAILLEUR	Shimano Deore RD-M5100 1x11sp, Max 11-51T
CRANKSET	Fsa Omega MegaExo 40T, Crank Length 170mm
BOTTOM BRACKET	Fsa BB-AL86, BB86 Alloy Cup Stainless bearings
CHAIN	Kmc X11-1 EPT finish, 11sp
CASSETTE / FREEWHEEL	Shimano CS-M5100-11, 11sp, 11-13-15-17-19-21-24-28-32-37-42T
BRAKE	Shimano BR-UR300, resin pad
BRAKE LEVER	Shimano BL-MT200
DISC ROTOR	Shimano SM-RT26 160mm, 6-Bolt type, for resin pad only
FRONT HUB	Formula RX-812 road disc, alloy 32h, 6 bolts, 2 sealed bearings, J-bend, thru axle 12x100mm
REAR HUB	Ebikemotion X35 PLUS rear hub motor unit
RIM/WHEELSET	Velomann GD24 disc 700c 622-21, 24mm profile, 32hole, tubeless ready
TIRE	Kenda Flintridge 700x35, 60TPI, black
STEM	Velomann, Alloy 6061, rise +/-7°, 1.1/8", Ext: 80mm-XS-XL

HANDLEBAR	Velomann rise PG Alloy 6061, width 680mm, diam. 31.8mm, rise 15mm, backsweep 9°
GRIP / TAPE	Herrmans 130mm
SEATPOST	Velomann AL6061 shaft, alloy head, 15mm offset, diam. 31.6mm, length: 300mm-XS/SM, 350mm-MD/XL
SADDLE	Velomann, steel rails, open, PU cover, 250x148mm
FRONT LIGHT	Lezyne EBike Power Pro, 115lux 310 lumen, auto day/night sensor, X-Lock stem mount
REAR LIGHT	Lezyne Fender Stvza, bright 11 lumen, tail light
REAR CARRIER	SKS Infinity GT3, max 15Kg
MUDGUARD	SKS PET A 46R/28"
MOTOR UNIT	Ebikemotion X35 PLUS, w/250Wh battery and iWOC One remote control, ANT+ compatible with Garmin



E-SPILLO ACTIVE



RIDING ON PAVED AND UNPAVED ROADS
WITH DROPS OF LESS THAN 15 cm

E-City bike with integrated look, rigid or suspension fork and record autonomy.

KEY FEATURES

- Gent and lady aluminum frame
- Motor: E-Going centrale 250W - 80Nm, 5 levels of assistance
- Battery: 418Wh
- Autonomy: up to 120km
- Shimano Hydraulic Disc brakes
- Drivetrain: Shimano 1x10sp 42T-11/36T
- SR Suntour 63mm travel fork (ACTIVE FS), Alloy fork (ACTIVE)
- Integrated handlebar/stem system with Led display (ACTIVE only)
- Adjustable alloy stem (ACTIVE FS only)
- Front and rear light powered by unit battery
- Internal cable routing
- Dropout with kickstand
- 37mm tire compatible
- Sizes: 43, 47cm (Lady); 47, 51cm (Gent)

DESIGNED FOR

Fitness rides, city commuting and light tourism.

COURSE/TERRAIN

Road Mixed Trail **City**

ACTIVITY

Race Training **Daily use**

418Wh

battery

4/5h

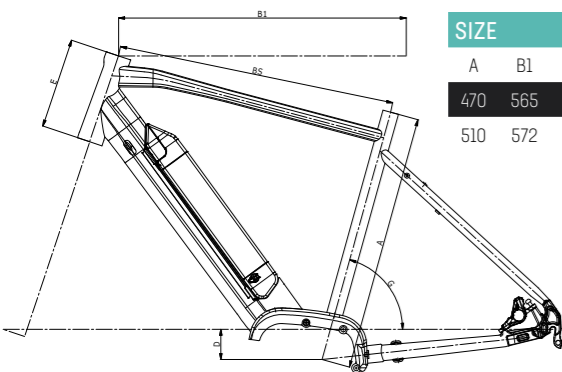
charging time

5

assistance levels

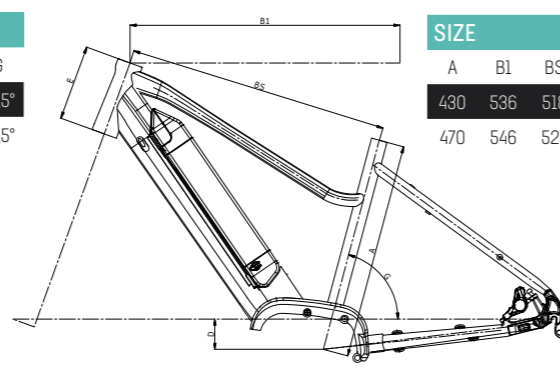
AUTONOMY: up to **120km**

RIGID FRAME / GENT



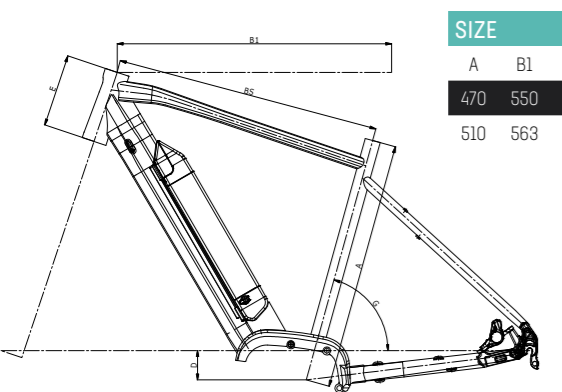
SIZE					
A	B1	BS	D	E	G
470	565	546	60	160	75.5°
510	572	554	60	180	75.5°

RIGID FRAME / LADY



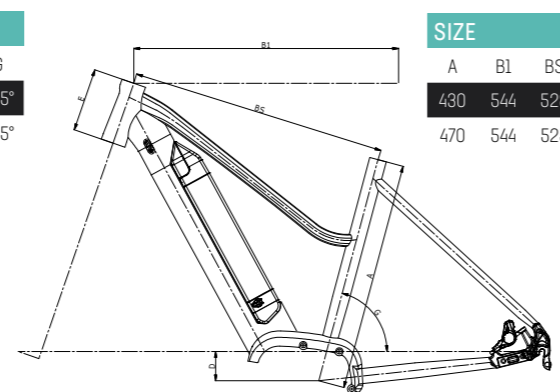
SIZE					
A	B1	BS	D	E	G
430	536	518	60	150	75°
470	546	527	60	160	75°

SUSPENSION FRAME / GENT



SIZE					
A	B1	BS	D	E	G
470	550	536	60	140	74.5°
510	563	543	60	150	74.5°

SUSPENSION FRAME / LADY



SIZE					
A	B1	BS	D	E	G
430	544	528	60	130	75°
470	544	525	60	130	75°

A SMOOTH RIDE SMOOTHER

The e-Bike specific 63mm Suntour fork takes potholes and bumpy tracks in its stride leaving you sitting pretty up top.



INTEGRATED DISPLAY

An upfront LED display contained within the integrated handlebar and stem provides power output, speed and battery information right where you can see it, keeping your head up and your eyes on the road.

AUTONOMY 120km+

The five assistance levels offered by the E-Going central motor unit make travelling long distances as easy as the flick of a switch. Neatly contained within the downtube, the 418Wh semi-integrated battery has all the power you need, putting up to 250 watts and 80Nm of torque at your fingertips.

For all day mobility and style the simple to use Shimano 1x 10-speed drivetrain, internally routed hydraulic disc brakes and plush 37mm tyres take the strain so you don't have to.



E-SPILLO ACTIVE SF GENT - DEORE 10SP



CODE	YQBT8
COLOR	4D - Black matt/Black-Red glossy
FRAME	E-Spillo Active Gent Suspended fork geometry, Alu PG 6061, disc brake, O.L.D.135mm, D/T battery, sizes 47, 51cm
SEATPOST CLAMP	MX27 Alloy clamp, diam. 31.8mm
HEADSET	Fsa TH-N10P, 1.1/8", semi-integrated
FORK	SR Suntour NEX E25 DS NLO, 63mm travel, PostMount disc brake, 1"1/8, travel 63mm, compatible with fender, 700c, OLD 100mm, QR
SHIFTER	Shimano Deore SL-M6000-R 10sp
REAR DERAILLEUR	Shimano Deore RD-M6000 SGS Shadow+ Design, 10sp
CRANKSET	Prowheel w/42T chaingring and chainguard
BOTTOM BRACKET	included w/motor unit
CHAIN	Shimano E-6090 10sp
CASSETTE / FREEWHEEL	Shimano CS-HG50-10, 10sp, 11-13-15-17-19-21-24-28-32-36T
BRAKE	Shimano BR-MT200, resin pad
BRAKE LEVER	Shimano BL-MT200
DISC ROTOR	Shimano SM-RT54, 160mm, Center Lock
FRONT HUB	Formula CL-1420, 36h, OLD 100mm w/QR, Center Lock
REAR HUB	Formula CL-1422, 36h, OLD 135mm, w/QR, Center Lock
RIM/WHEELSET	Tec SSP 375 disc, alloy, 700c 622x17, 36h
TIRE	Spectra Pergo Duramax XNR E-bike 700x37
STEM	Aluminum adjustable, 1.1/8", Extension 105mm
HANDLEBAR	Tec Obvius, AL6061 DB, Flat bar, width 620mm, diam. 31.8mm
GRIP / TAPE	Spectra Bio Extra Ergo, 130mm, w/mini bar end

SEATPOST	Tec Obvius Alloy 27,2mm, length 350mm
SADDLE	Selle Royal Lookin Athletic, w/Royalgel
FRONT LIGHT	Spanninga 40 Lux E-Bike 6-48V
REAR LIGHT	Buchel E-Bike w/brakelight
REAR CARRIER	AtranVelo Sport
KICKSTAND	rsus R78 King rear, 28"
MUDGUARD	SKS, Length: front 355mm rear 365mm
MOTOR UNIT	Egoing Max 250W central motor unit w/semi integrated 418Wh battery w/speed and torque sensor, pedal assist speed up to 25kmh



E-SPILLO ACTIVE SF LADY - DEORE 10SP



CODE	YQBT9
COLOR	4D - Black matt/Black-Red glossy
FRAME	E-Spillo Active Lady Suspended fork geometry, Alu PG 6061, disc brake, O.L.D.135mm, D/T battery, sizes 43, 47cm
SEATPOST CLAMP	MX27 Alloy clamp, diam. 31.8mm
HEADSET	Fsa TH-N10P, 1.1/8", semi-integrated
FORK	SR Suntour NEX E25 DS NLO, 63mm travel, PostMount disc brake, 1"1/8, compatible with fender, OLD 100mm 700c, w/QR
SHIFTER	Shimano Deore SL-M6000-R 10sp
REAR DERAILLEUR	Shimano Deore RD-M6000 SGS Shadow+ Design, 10sp
CRANKSET	Prowheel w/42T chaingring and chainguard
BOTTOM BRACKET	included w/motor unit
CHAIN	Shimano E-6090 10sp
CASSETTE / FREEWHEEL	Shimano CS-HG50-10, 10sp, 11-13-15-17-19-21-24-28-32-36T
BRAKE	Shimano BR-MT200, resin pad
BRAKE LEVER	Shimano BL-MT200
DISC ROTOR	Shimano SM-RT54, 160mm, Center Lock
FRONT HUB	Formula CL-1420, 36h OLD:100mm, w/QR, Center Lock
REAR HUB	Formula CL-1422, 36h, OLD:135mm, w/QR, Center Lock
RIM/WHEELSET	Tec SSP 375 disc, alloy, 700c 622x17, 36h
TIRE	Spectra Pergo Duramax XNR E-bike 700x37
STEM	Aluminum adjustable, 1.1/8", Extension 105mm
HANDLEBAR	Tec Obvius, AL6061 DB, Flat bar, width 620mm, diam. 31.8mm
GRIP / TAPE	Spectra Bio Extra Ergo, 130mm, w/mini bar end

SEATPOST	Tec Obvius Alloy 27,2mm, length 350mm
SADDLE	Selle Royal Looking Athletic w/Royalgel
REAR LIGHT	Buchel E-Bike w/brakelight
REAR CARRIER	AtranVelo Sport
KICKSTAND	Ursus R78 King rear, 28"
MUDGUARD	SKS, Length: front 355mm rear 365mm
MOTOR UNIT	Egoing Max 250W central motor unit w/semi integrated 418Wh battery w/speed and torque sensor, pedal assist speed up to 25kmh



E-SPILLO ACTIVE GENT - DEORE 10SP

CODE	YQBT6
COLOR	4D - Black matt/Black-Red glossy
FRAME	E-Spillo Active Gent Alu PG 6061, disc brake, O.L.D.135mm, semi-integrated D/T battery, sizes 47, 51cm
SEATPOST CLAMP	MX27 Alloy clamp, diam. 31.8mm
HEADSET	Fsa TH-N10P, 1.1/8", semi-integrated
FORK	Bianchi Aluminum Disc 1.1/8"
SHIFTER	Shimano Deore SL-M6000-R 10sp
REAR DERAILLEUR	Shimano Deore RD-M6000 SGS Shadow+ Design, 10sp
CRANKSET	Prowheel w/42T chaingring and chainguard
BOTTOM BRACKET	included w/motor unit
CHAIN	Shimano E-6090 10sp
CASSETTE / FREEWHEEL	Shimano CS-HG50-10, 10sp, 11-13-15-17-19-21-24-28-32-36T
BRAKE	Shimano BR-MT200, resin pad
BRAKE LEVER	Shimano BL-MT200
DISC ROTOR	Shimano SM-RT54, 160mm, Center Lock
FRONT HUB	Formula CL-1420, 36h, OLD:100mm, w/QR, Center Lock
REAR HUB	Formula CL-1422, 36h, OLD:135mm, w/QR, Center Lock
RIM/WHEELSET	Tec SSP 375 disc, alloy, 700c 622x17, 36h
TIRE	Spectra Pergo Duramax XNR E-bike 700x37
STEM	integrated with handlebar (one piece)
HANDLEBAR	Integrated handlebar/stem, aluminum w/"JUST ONE" LCD display, width: 650mm
GRIP / TAPE	Spectra Bio Extra Ergo, 130mm, w/mini bar end

SEATPOST	Tec Obvius Alloy 27,2mm, length 350mm
SADDLE	Selle Royal Lookin Athletic
REAR LIGHT	Buchel E-Bike w/brakelight
REAR CARRIER	AtranVelo Sport
KICKSTAND	Ursus R78 King rear, 28"
MUDGUARD	SKS, Length: front 355mm rear 365mm
MOTOR UNIT	Egoing Max 250W central motor unit w/semi integrated 418Wh battery w/speed and torque sensor, pedal assist speed up to 25kmh

**E-SPILLO ACTIVE LADY** - DEORE 10SP

CODE	YQBT7
COLOR	4D - Black matt/Black-Red glossy
FRAME	E-Spillo Active Lady Alu PG 6061, disc brake, O.L.D.135mm, semi-integrated D/T battery, sizes 43, 47cm
SEATPOST CLAMP	MX27 Alloy clamp, diam. 31.8mm
HEADSET	Fsa TH-N10P, 1.1/8", semi-integrated
FORK	Bianchi Aluminum Disc 1.1/8"
SHIFTER	Shimano Deore SL-M6000-R 10sp
REAR DERAILLEUR	Shimano Deore RD-M6000 SGS Shadow+ Design, 10sp
CRANKSET	Prowheel w/42T chaingring and chainguard
BOTTOM BRACKET	included w/motor unit
CHAIN	Shimano E-6090 10sp
CASSETTE / FREEWHEEL	Shimano CS-HG50-10, 10sp, 11-13-15-17-19-21-24-28-32-36T
BRAKE	Shimano BR-MT200, resin pad
BRAKE LEVER	Shimano BL-MT200
DISC ROTOR	Shimano SM-RT54, 160mm, Center Lock
FRONT HUB	Formula CL-1420, 36h, OLD:100mm, w/QR, Center Lock
REAR HUB	Formula CL-1422, 36f, OLD:135mm w/QR, Center Lock
RIM/WHEELSET	Tec SSP 375 disc, alloy, 700c 622x17, 36h
TIRE	Spectra Pergo Duramax XNR E-bike 700x37
STEM	integrated with handlebar (one piece)
HANDLEBAR	Integrated handlebar/stem, aluminum w/"JUST ONE" LCD display, width: 650mm
GRIP / TAPE	Spectra Bio Extra Ergo, 130mm, w/mini bar end

SEATPOST	Tec Obvius Alloy 27,2mm, length 350mm
SADDLE	Selle Royal Lookin Athletic w/Royalgel
REAR LIGHT	Buchel E-Bike w/brakelight
REAR CARRIER	AtranVelo Sport
KICKSTAND	Ursus R78 King rear, 28"
MUDGUARD	SKS, Length: front 355mm rear 365mm
MOTOR UNIT	Egoing Max 250W central motor unit w/semi integrated 418Wh battery w/speed and torque sensor, pedal assist speed up to 25kmh



E-SPILLO LUXURY



RIDING ON PAVED ROADS

Smart city e-Bike with aluminum frame and central motor unit as a reminiscent of timeless Italian design.

KEY FEATURES

- Aluminum frame (GENT/LADY) with steel fork
- Motor: Shimano Steps E5000 central motor unit
- Battery: 418Wh
- Autonomy: up to 120km
- Shimano Hydraulic Disc brakes
- Drivetrain: Shimano 1x9sp 44T-11/34T
- Internal cable routing
- Kickstand predisposition
- Rear light integrated in motor unit battery
- 37mm tire compatible
- Adjustable alloy stem
- Sizes: 43, 47cm (LADY), 47, 51cm (GENT)

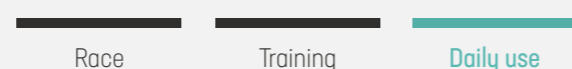
DESIGNED FOR

Urban commuting and weekend adventures.

COURSE/TERRAIN



ACTIVITY



418Wh

battery

4/5h

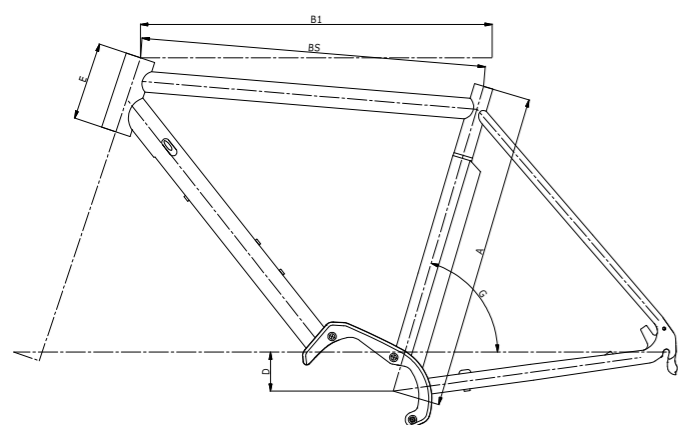
charging time

3

assistance levels
• Eco • Normal • High

AUTONOMY: up to **120km**

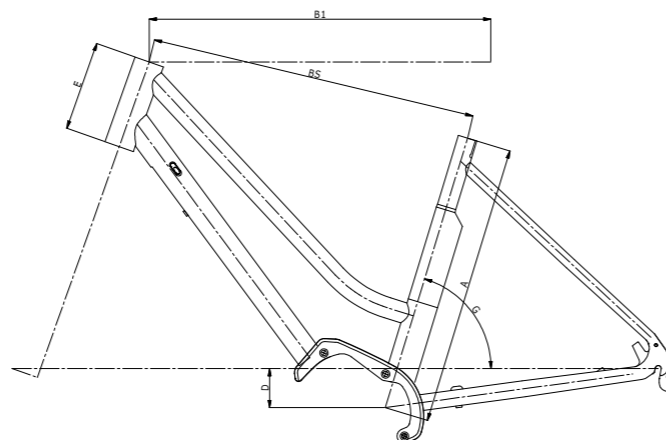
GENT



SIZE

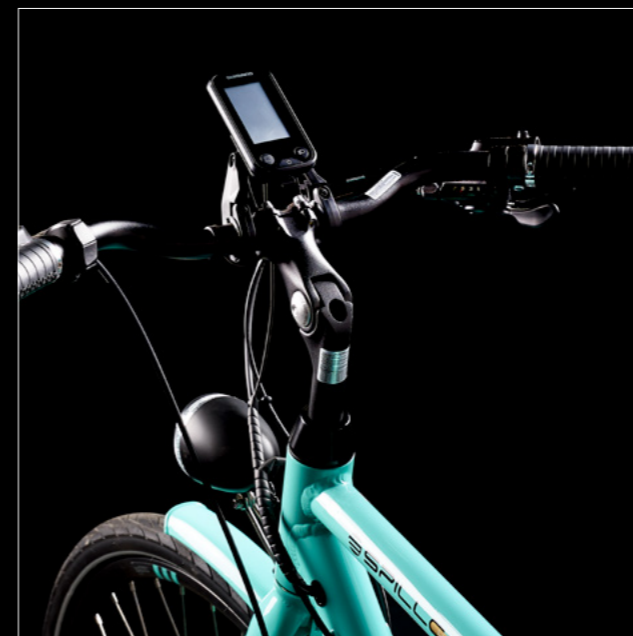
A	B1	BS	D	E	G
470	575	554	65	120	73.5°
530	586	573	65	130	73.5°

LADY



SIZE

A	B1	BS	D	E	G
430	560	535	65	140	73°
470	570	546	65	150	73°



The geometry encourages an upright position (so your torso is at an angle of between 75-90° to the ground). Its customisability is optimised for a varied lifestyle via an adjustable alloy stem.

SMART BATTERY:
The custom rear-integrated

418Wh SLIM BATTERY

is detachable and easily stored in a backpack thanks to its reduced dimensions.



E-SPILLO LUXURY GENT - ALTUS 9SP

CODE	YQBT4
COLOR	ID - CK16 Glossy, SL - Gun Barrel Grey/Black matt
FRAME	E-Spillo Luxury Gent, Alu PG 6061, disc brake, OLD. 135mm, sizes 47,53 cm
SEATPOST CLAMP	MX-112 Alloy, 31,8mm
HEADSET	VP-MH305C semi-integrated, threaded
FORK	Bianchi Steel 1.1/8" Disc
SHIFTER	Shimano Altus SL-M2010 9sp
REAR DERAILLEUR	Shimano Altus RD-M2000 SGS 9sp, Shadow Design, direct attachment
CRANKSET	Included w/motor unit
BOTTOM BRACKET	Included w/motor unit
CHAIN	Shimano E-6070 9sp
CASSETTE / FREEWHEEL	Shimano CS-HG200-9, 9sp, 11-13-15-17-20-23-26-30-36T
BRAKE	Shimano BR-MT200, resin pad
BRAKE LEVER	Shimano BL-MT200
DISC ROTOR	Shimano SM-RT10, 160mm, Center Lock, for resin pad only
FRONT HUB	Formula CL-1420, 36h, OLD:100mm, w/QR, Center Lock
REAR HUB	Formula CL-1422, 36H, OLD:135mm, w/QR, Centerr Lock
RIM/WHEELSET	EBIKE model 260, 622x19C, disc, 36holes
TIRE	Spectra Unda Duramax Regular 700x37, 60tpi
STEM	Aluminum adjustable diam. 25,4mm, ext: 85mm, quill length: 180mm
HANDLEBAR	Alloy, width: 590mm, Rise: 26mm, Diam: 25.4mm, 33° backsweep
GRIP / TAPE	Herrmans 130mm

SEATPOST	AL6061 shaft, alloy head, 15mm offset, diam. 27,2mm, length 350mm
SADDLE	Selle Royal Wave
FRONT LIGHT	Retro Sport black, led for ebike 6-48V German and France approved
REAR LIGHT	included in the SR20 battery - German approved
REAR CARRIER	Carrier Sport 28" w/AVS
KICKSTAND	Ursus R78 King rear, 28"
MUDGUARD	Steel
MOTOR UNIT	Shimano Steps E5000 w/FC-E5000 170mm crankset, w/34T chainring, w/418Wh rear carrier battery

**E-SPILLO LUXURY LADY - ALTUS 9SP**

CODE	YQBT5
COLOR	ID - CK16 Glossy, SL - Gun Barrel Grey/Black matt
FRAME	E-Spillo Luxury Lady, Alu PG 6061, disc brake, O.L.D.135mm, sizes 43, 47cm
SEATPOST CLAMP	MX-112 Alloy, 31,8mm
HEADSET	VP-MH305C semi-integrated, threaded
FORK	Bianchi Steel 1.1/8" Disc
SHIFTER	Shimano Altus SL-M2010 9sp
REAR DERAILLEUR	Shimano Altus RD-M2000 SGS 9sp, Shadow Design, direct attachment
CRANKSET	Included w/motor unit
BOTTOM BRACKET	Included w/motor unit
CHAIN	Shimano E-6070 9sp
CASSETTE / FREEWHEEL	Shimano CS-HG200-9, 9sp, 11-13-15-17-20-23-26-30-36T
BRAKE	Shimano BR-MT200, resin pad
BRAKE LEVER	Shimano BL-MT200
DISC ROTOR	Shimano SM-RT10, 160mm, Center Lock, for resin pad only
FRONT HUB	Formula CL-1420, 36h, OLD:100mm, w/QR, Center Lock
REAR HUB	Formula CL-1422, 36f, OLD 135mm, w/QR, Center Lock
RIM/WHEELSET	EBIKE model 260, 622x19C, disc, 36holes
TIRE	Spectra Unda Duramax Regular 700x37, 60tpi
STEM	Aluminum adjustable diam. 25,4mm, ext: 85mm, quill length: 180mm
HANDLEBAR	Alloy, width: 590mm, Rise: 26mm, Diam: 25.4mm, 33° backsweep
GRIP / TAPE	Herrmans 130mm

SEATPOST	AL6061 shaft, alloy head, 15mm offset, diam. 27,2mm, length 350mm
SADDLE	Selle Royal Wave
FRONT LIGHT	Retro Sport black, led for ebike 6-48V German and France approved
REAR LIGHT	included in the SR20 battery - German approved
REAR CARRIER	Carrier Sport 28" w/AVS
KICKSTAND	Ursus R78 King rear, 28"
MUDGUARD	Steel
MOTOR UNIT	Shimano Steps E5000 w/FC-E5000 170mm crankset, w/34T chainring, w/418Wh rear carrier battery



E-SPILLO CLASSIC



RIDING ON PAVED ROADS

Urban e-Bike with aluminum frame, blending classic aesthetics with future-facing pedal assist.

KEY FEATURES

- Aluminum frame (GENT/LADY) with steel fork
- Motor: E-Going rear hub unit 250W - 28Nm, 5 levels of assistance
- Battery: 418Wh
- Autonomy: up to 70km
- V-Brakes
- Internal cable routing
- Kickstand predisposition
- Rear light integrated in motor unit battery
- 37mm tire compatible
- Adjustable alloy stem
- Sizes: 43, 47cm (LADY), 47, 51cm (GENT)

DESIGNED FOR

Busy city life commuting.

COURSE/TERRAIN

Road Mixed Trail **City**

ACTIVITY

Race Training **Daily use**

418Wh
battery

4/5h
charging time

5
assistance levels
• 12,5 km/h • 17,5 km/h
• 21 km/h • 23 km/h
• 25 km/h

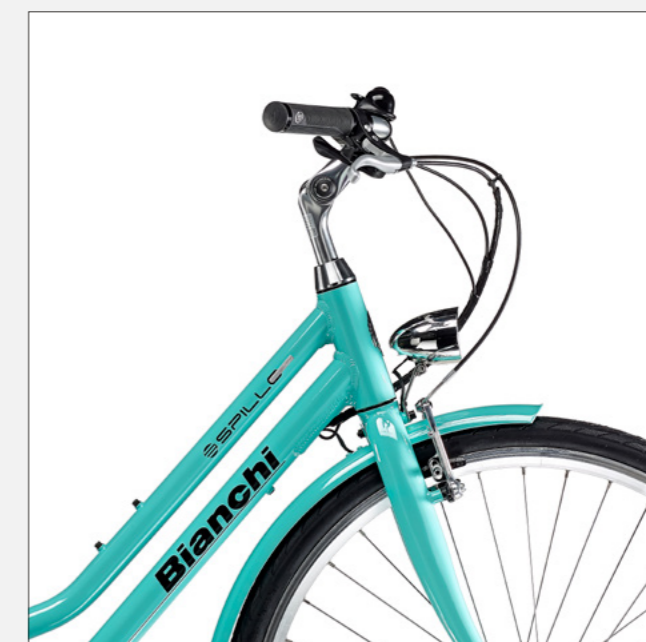
AUTONOMY: up to **70km**

FORM & FUNCTION

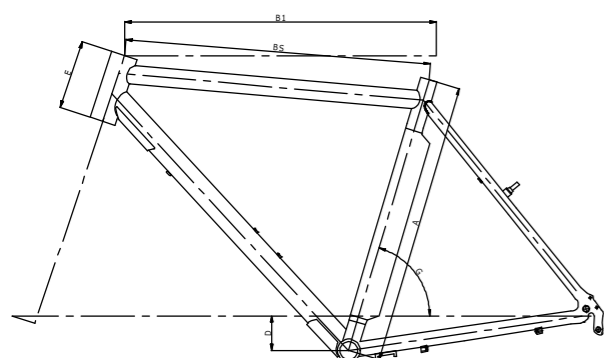
The E-Spillo Classic is available in

TWO FRAME SHAPES FOR BOTH MEN AND WOMEN;

the 'Gent' has a traditional flat top tube, while the 'Lady' features a step-through frame.



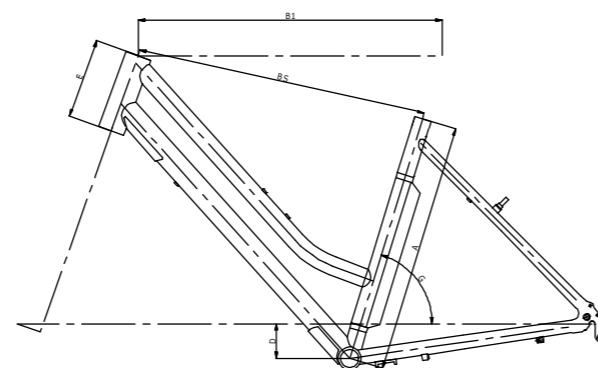
GENT



SIZE

A	B1	BS	D	E	G
470	575	555	65	120	73,5°
530	585	573	65	130	73,5°

LADY



SIZE

A	B1	BS	D	E	G
430	560	535	65	140	73°
470	570	546	65	150	73°

VERSATILITY & EASE

You can safely prop your bike up with the handy kickstand while you chat.

WITH WIDE **37mm** TIRES, A SHIMANO **1x8** SPEED DRIVETRAIN AND V-BRAKES

all neatly routed internally the E-Spillo is perfectly crafted for your busy city life.

E-SPILLO CLASSIC GENT - ALTUS 8SP



CODE	YQBT2
COLOR	ID - CK16 Glossy, SL - Gun Barrel Grey/Black matt
FRAME	E-Spillo Classic Gent, Alu PG 6061,V-brake, O.L.D.139mm for rear hub motor unit, sizes: 47, 53cm
SEATPOST CLAMP	MX-112 Alloy, diam. 31,8mm
HEADSET	VP-MH305C Semi-integrated
FORK	Bianchi Steel, V-Brake
SHIFTER	Shimano Altus 8sp
REAR DERAILLEUR	Shimano Altus 8sp
CRANKSET	Prowheel Ounce-248AC 48T, crank length 170mm
BOTTOM BRACKET	axle length:124mm, w/speed sensor
CHAIN	Kmc Z8.1 8sp
CASSETTE / FREEWHEEL	Shimano CS-HG200-8, 8sp, 12-14-16-18-21-24-28-32T
BRAKE	V-Brake Alloy
BRAKE LEVER	V-Brake levers 4 fingers
FRONT HUB	Formula FM-21, 36hole, 14G, O.L.D. 100mm, w/QR
REAR HUB	EGoing Rear hub motor unit
RIM/WHEELSET	Spectra 622-19c 36h
TIRE	Spectra Unda Regular 700x37, 37-622 27TPI
STEM	Alloy adjustable, diam. 25,4mm, ext: 85mm, quill length: 180mm
HANDLEBAR	Alloy, width 590mm, rise 26mm, diam. 25,4mm, 33° backsweep
GRIP / TAPE	Herrmans 130mm
SEATPOST	Alloy diam. 27,2mm, length: 350mm
SADDLE	Selle Royal Wave

FRONT LIGHT	Retro Sport for ebike, 20lux. 0,5w LED IP144
REAR LIGHT	included in the SR11 battery
REAR CARRIER	Atranvelo Carrier Sport 28"
KICKSTAND	Atranvelo KS Rex Atran 235
MUDGUARD	Steel
MOTOR UNIT	EGoing Rear hub motor unit 36V,250W, OLD 135mm w/418Wh rear carrier SR11 battery, w/led display, w/speed sensor



E-SPILLO CLASSIC LADY - ALTUS 8SP



CODE	YQBT3
COLOR	ID - CK16 Glossy, SL - Gun Barrel Grey/Black matt
FRAME	E-Spillo Classic Lady, Alu PG 6061,V-brake, O.L.D.139mm for rear hub motor unit, sizes: 43, 47cm
SEATPOST CLAMP	MX-112 Alloy, diam. 31,8mm
HEADSET	VP-MH305C Semi-integrated
FORK	Bianchi Steel, V-Brake
SHIFTER	Shimano Altus 8sp
REAR DERAILLEUR	Shimano Altus 8sp
CRANKSET	Prowheel Ounce-248AC 48T, crank length 170mm
BOTTOM BRACKET	axle length:124mm, w/cadence sensor
CHAIN	Kmc Z8.1 8sp
CASSETTE / FREEWHEEL	Shimano CS-HG200-8, 8sp, 12-14-16-18-21-24-28-32T
BRAKE	V-Brake Alloy
BRAKE LEVER	V-Brake levers 4 fingers
FRONT HUB	Formula FM-21, 36hole, 14G, O.L.D. 100mm, w/QR
REAR HUB	EGoing Rear hub motor unit
RIM/WHEELSET	Spectra 622-19c 36h
TIRE	Spectra Unda Regular 700x37, 37-622 27TPI
STEM	Alloy adjustable, diam. 25,4mm, ext: 85mm, quill length: 180mm
HANDLEBAR	Alloy, width 590mm, rise 26mm, diam. 25,4mm, 33° backsweep
GRIP / TAPE	Herrmans 130mm
SEATPOST	Alloy diam. 27,2mm, length: 350mm
SADDLE	Selle Royal Wave

FRONT LIGHT	Retro Sport for ebike, 20lux. 0,5w LED IP144
REAR LIGHT	included in the SR11 battery
REAR CARRIER	Atranvelo Carrier Sport 28"
KICKSTAND	Atranvelo KS Rex Atran 235
MUDGUARD	Steel
MOTOR UNIT	EGoing Rear hub motor unit 36V, 250W, OLD 135mm w/418Wh rear carrier SR11 battery, w/led display, w/speed sensor



E-SPILLO CITY



RIDING ON PAVED ROADS

City e-bike with aluminum step-through frame, one-size-fits-all.

KEY FEATURES

- Aluminum frame (one size) with steel fork
- Motor: E-Going rear hub unit 250W - 28Nm, 3 levels of assistance
- Battery: 317Wh
- Autonomy: up to 55km
- V-Brakes
- Internal cable routing
- Kickstand predisposition
- Rear light integrated in motor unit battery
- 40mm tire compatible
- Adjustable alloy stem
- One size: 45cm

DESIGNED FOR

Daily use.

COURSE/TERRAIN

Road Mixed Trail **City**

ACTIVITY

Race Training **Daily use**

317Wh

battery

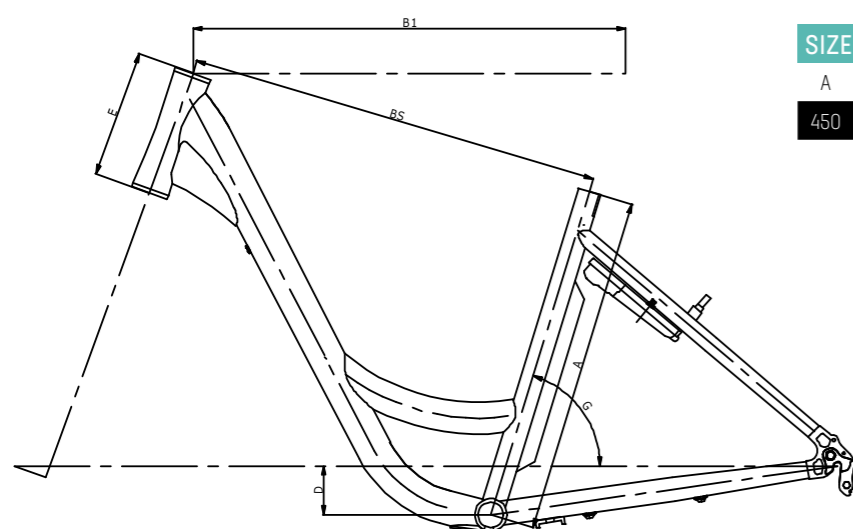
3/5h

charging time

3

assistance levels

AUTONOMY: up to **55km**



SIZE

A	B1	BS	D	E	G
450	576	551	65	170	70°

E-SPILLO CITY - ALTUS 8SP



CODE	YQBT1
COLOR	SO - Grey
FRAME	E-Spillo City Step Thru Frame Aluminum O.L.D.139mm for rear hub motor unit, size 45cm
SEATPOST CLAMP	MX27 31.8mm
HEADSET	VP-MH305C Semi-integrated
FORK	Bianchi Steel, V-Brake
SHIFTER	Shimano Altus 8sp
REAR DERAILLEUR	Shimano Altus 8sp
CRANKSET	Prowheel PRA-11C 38T, crank length: 170mm
BOTTOM BRACKET	axle length:124mm, w/speed sensor
CHAIN	Kmc Z8.1 8sp
CASSETTE / FREEWHEEL	Shimano CS-HG200-8, 8sp, 12-14-16-18-21-24-28-32T
BRAKE	V-Brake, Alloy
BRAKE LEVER	V-Brake levers 4 fingers
FRONT HUB	Formula FM-21, 36hole, 14G, O.L.D. 100mm, w/QR
REAR HUB	EGoing Rear hub motor unit
RIM/WHEELSET	Spectra 622-19c, 36 holes
TIRE	Spectra Duramax Regular 700x40, 40-622 27TPI
STEM	Alloy adjustable, diam. 25,4mm, ext: 85mm, quill length: 180mm
HANDLEBAR	Steel diam. 25.4mm, width 610mm, backsweep 44°, rise 66mm
GRIP / TAPE	Herrmans Ergo TPE 120mm
SEATPOST	Alloy, diam 27,2mm, length 300mm
SADDLE	Spectra Lubri

FRONT LIGHT	Breeze Evo Classic, 0,5W LED, 15 lux, Waterproof IP44 including batteries
REAR LIGHT	integrated in the battery
REAR CARRIER	Avs Classic Carrier w/battery support
KICKSTAND	Atranvelo KS Rex Atran 235
MUDGUARD	Steel
MOTOR UNIT	EGoing Rear hub motor unit 36V, 250W, OLD 135mm w/317Wh rear carrier battery



LONG ISLAND



RIDING ON PAVED ROADS

Perfect combination between e-mobility and style. Frame designed to offer safer and more comfortable driving experience. The Bianchi motor unit is made in Italy.

KEY FEATURES

- Aluminum step through frame with steel fork
- Bianchi city specific central motor unit 250W 80Nm. Max support up to 400%
- Battery: 418Wh
- Autonomy: up to 130km
- Shimano Hydraulic Disc Brakes
- Semi-integrated headset 1.1/8"
- Integrated rear carrier
- Internal cable routing
- Rear dropout with kickstand predisposition
- Front and rear light motor unit battery powered EU and German approved
- Adjustable alloy stem 0°>90° and Alloy flat handlebar w/wing shape
- Sizes: 43, 47cm

DESIGNED FOR

Clever and city-smart daily use.

COURSE/TERRAIN

Road Mixed Trail **City**

ACTIVITY

Race Training **Daily use**

418Wh

battery

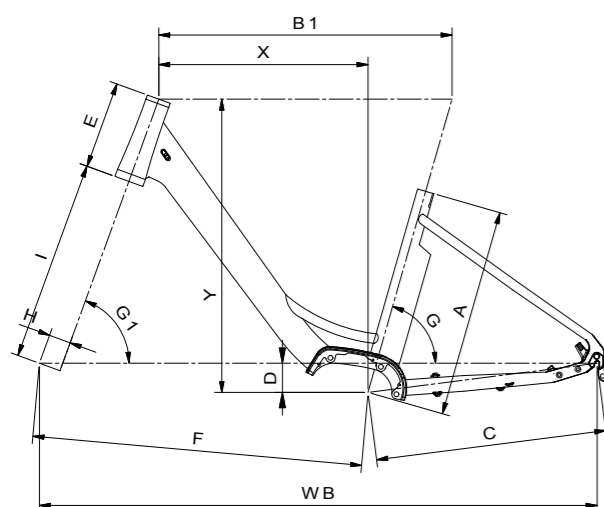
4/5h

charging time

5

assistance levels
• 50% • 100% • 200%
• 300% • 400%

AUTONOMY: up to **130km**



SIZE

A	B1	C	D	E	F	G	G1	H	I	X	Y	WB
430	607	470	60	180	679	75.5°	72°	45	412	431	603	1142
470	636	470	60	180	679	73°	72°	45	412	431	603	1142

LONG ISLAND - ALTUS 9SP



CODE	YQB7Z
COLOR	2A - CK16/Black full glossy, 8K - Black/Graphite full glossy
FRAME	Long Island AL6061 stepthru frame, 700c, disc, welded rear carrier, w/battery cover insert, size 43,47cm
SEATPOST CLAMP	MX27 Alloy clamp, diam. 31.8mm
HEADSET	Fsa ZS-4D 1.1/8" w/15mm Alu top cap
FORK	Bianchi Hi-Ten 700c, Disc, OLD 100mm
SHIFTER	Shimano Altus SL-M2010 9sp
REAR DERAILLEUR	Shimano Altus RD-M2000 SGS 9sp, Shadow Design, direct attachment
CRANKSET	Fsa Metropolis, Alloy, E-Bike specific, ISIS, w/38T Fsa chainring, length 170mm
BOTTOM BRACKET	Integrated with drive unit
CHAIN	Shimano E-6070 9sp
CASSETTE / FREEWHEEL	Shimano CS-HG200-9, 9sp, 11-13-15-17-20-23-26-30-36T
BRAKE	Shimano BR-MT200, resin pad
BRAKE LEVER	Included w/brakeset
DISC ROTOR	Shimano SM-RT10, 160mm, Center Lock, for resin pad only
FRONT HUB	Formula CL-1420 Center lock, 36hole, 14G, OLD 100mm, w/QR
REAR HUB	Formula CL-1422 Center lock, 36hole, 14G, OLD 135mm w/QR
RIM/WHEELSET	Aluminum, ETRTO 622x19C, Disc, 36 holes
TIRE	Vittoria Randonneur 700x38
STEM	Satori UP3 3D forged alloy, adjustable stem 0°>90° 1.1/8", 31.8mm, ext: 90mm
HANDLEBAR	Satori Noirette Plus AL6061, diam. 31.8mm, 660mm width, rise 34mm, 41° backsweep
GRIP / TAPE	Spectra Bio Extra Ergo, 130mm, w/mini bar end
SEATPOST	Alloy 6061 shaft, alloy head, 15mm offset, diam. 30.9mm, length 350mm

SADDLE	Selle Royal Aurorae Elastomer
PEDALS	included
FRONT LIGHT	Spanninga Axendo 40, E-bike 6-36VDC (Xe) 40 Lux, 1 white Led
REAR LIGHT	Integrated in the battery 36V
REAR CARRIER	Welded on the frame
KICKSTAND	Ursus R78 King rear, 28"
MUDGUARD	700c, PVC, Width 50mm w/V stainless stays
MOTOR UNIT	Bianchi Motor Unit 36V 250W 80Nm w/418Wh 36V 11.6Ah rear carrier battery w/torque sensor, cadence sensor and speed sensor, w/digital display. Max speed 25Kmh

2A - CK16/Black full glossy



MTB



MTB RANGE OVERVIEW

RACING

METHANOL CV FS / METHANOL CV RS / METHANOL CV S

PROJECT PHILOSOPHY

- Extreme rigidity for maximum power transmission
- Super reactive geometry for better handling and responsiveness
- Light weight

TARGET CONSUMER

- Those who want a pure speed machine with no compromises
- The rider who has a racing mindset and a competitive attitude

PERFORMANCE

NITRON

PROJECT PHILOSOPHY

- Stiffness/suppleness optimized ratio
- Reactive geometry for race-ready handling and responsiveness
- Reliability at still a light weight

TARGET CONSUMER

- Those who want a very versatile bike which can still be raced on
- Any sporty people who want a premium quality bike for every kind of riding

OFF-ROAD

MAGMA / DUEL

PROJECT PHILOSOPHY

- Comfortable bike for on and off road leisure riding
- Geometry optimized for a comfortable handling and riding position
- Ready for commute/trekking accessories

TARGET CONSUMER

- Those who want a very polyvalent bike
- Any beginner or junior who wants a premium quality bike with a Pure Italian Design

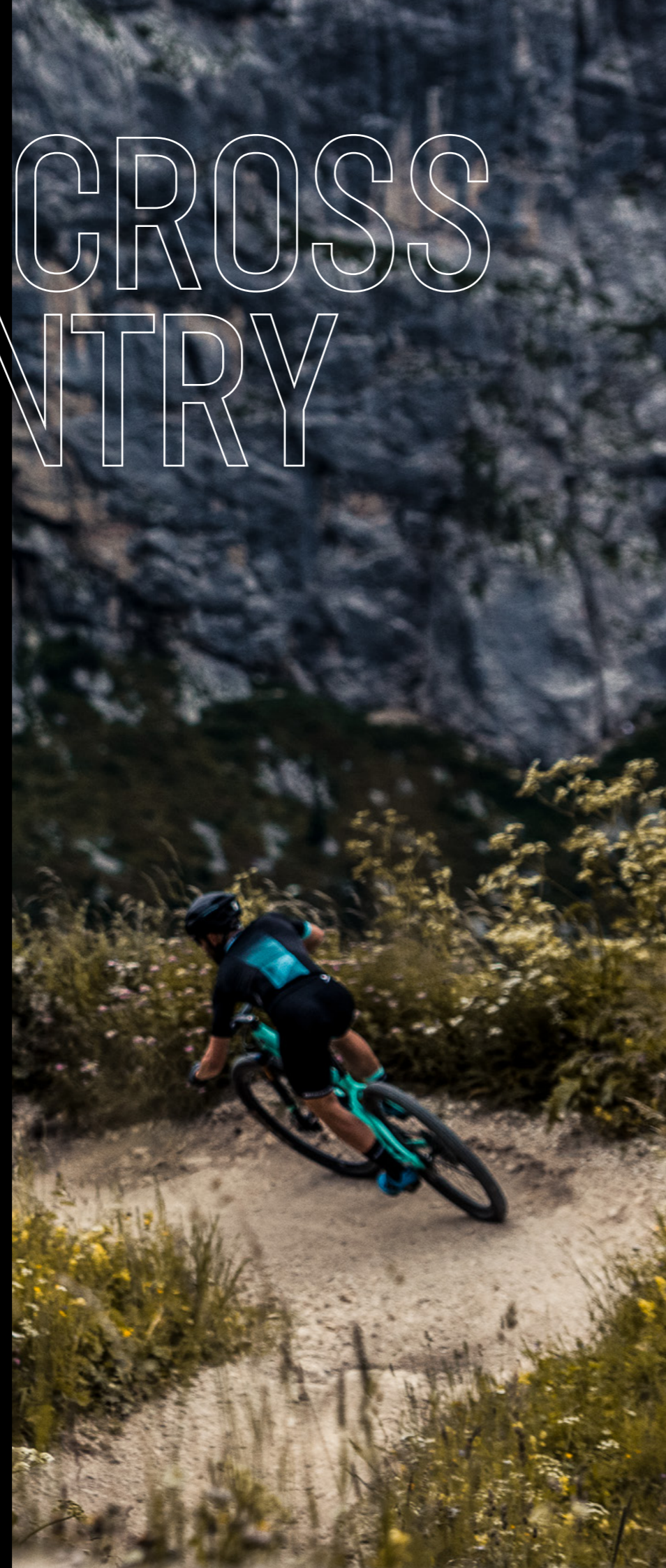
BIKE FIT CHART

HANDLEBAR / STEM / CRANKSET

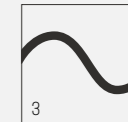
METHANOL CV FS			METHANOL CV RS			METHANOL CV S			NITRON			MAGMA			DUEL			CRANKSET	
Frame size	Stem size	Handlebar size (c-c)	Frame size	Stem size	Handlebar size (c-c)	Frame size	Stem size	Handlebar size (c-c)	Frame size	Stem size	Handlebar size (c-c)	Frame size	Stem size	Handlebar size (c-c)	Frame size	Stem size	Handlebar size (c-c)	Size	Length
S	60	740/760	S	70	740/760	S	70	720	S	70	720	S	80	720	S	80	720	38	170
M	70	740/760	M	80	740/760	M	80	720	M	80	720	M	80	720	M	80	720	43	175
L	80	740/760	L	90	740/760	L	90	720	L	90	720	L	90	720	L	90	720	48	175
XL	90	740/760	XL	90	740/760	XL	90	720	XL	90	720	XL	90	720	XL	90	720	53	175

XCO CROSS COUNTRY

METHANOL CV FS
 METHANOL CV RS
 METHANOL CV S
 NITRON
 MAGMA
 DUEL



METHANOL CV FS



RIDING ON ROUGH TERRAIN WITH DROPS OF LESS THAN 61 cm

Fast, light and aggressive full suspension carbon bike with race pedigree.

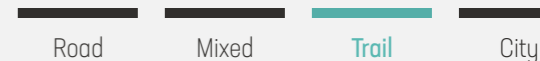
KEY FEATURES

- Carbon frame engineered with Bianchi CV vibration cancelling technology
- FS travel: 100mm
- FST travel: 120/100mm (Trail configuration)
- Geometry: Slacker HT°, Longer reach, Shorter CS
- Drivetrain: 1x only
- 29x2.4 tire compatible
- Boost 12x148TA rear axle
- Internal cable routing dropper post compatible
- Sizes: S, M, L, XL

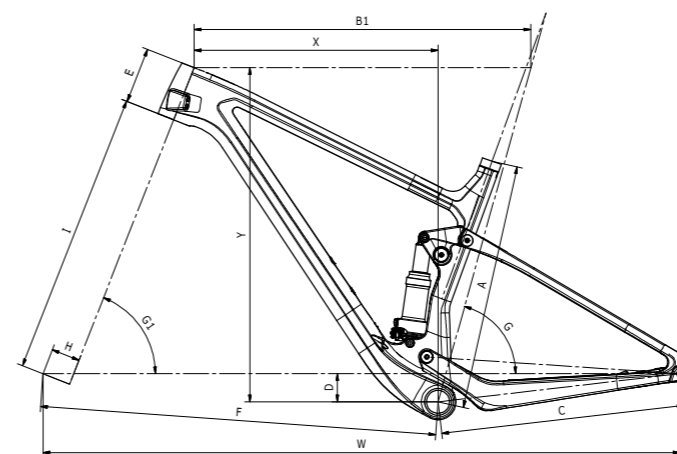
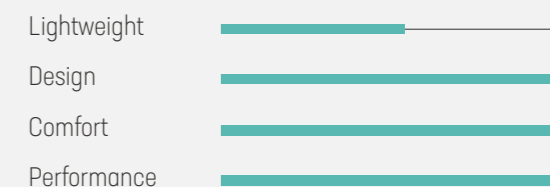
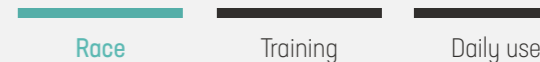
DESIGNED FOR

Pure racers. Professional and expert XCO and XCM purists looking for more control and great handling on descents.

COURSE/TERRAIN



ACTIVITY



METHANOL CV FS 29" Carbon - 100mm front travel

SIZE	A	B1	C	D	E	F	G	GI	H	I	X	Y	W	
S	15"	410	570	435	50	90	669	75°	68.5°	44	506	407	588	1099
M	17"	440	600	435	50	100	700	75°	68.5°	44	506	435	597	1130
L	19"	480	626	435	50	110	726	75°	68.5°	44	506	458	606	1157
XL	21"	520	646	435	50	120	747	75°	68.5°	44	506	475	616	1178

METHANOL 9.1 CV FS - XXI EAGLE AXS IX12SP



CODE	YQBS7
COLOR	5G - CK16/Black full glossy
FRAME	Methanol CV FS 100mm 29" full carbon HM monocoque w/Bianchi CV, 1.5" tapered HT, BB92, only 1x drivetrain, PM 160mm carbon dropout, 12x148mm BOOST, internal cable routing, seatpost diam. 31,6mm, shock lenght/travel 190/40mm w/eyelets 20mm x diam.8mm, sizes 15-17-19-21"
BOLTS / HARDWARE	Carbon-Ti bolts AL7075-T6, large button head, Torx M5*14mm, w/Bianchi & Carbon-Ti logo (2pcs)
REAR SHOCK	Fox Float DPS Factory Kashima Remote, 190/40mm, SV, Evol, 2 position Remote PTU, w/eyelets 19,99x8mm
SEATPOST CLAMP	Alu, 35,4mm clamp
HEADSET	Fsa Orbit C-40, NO.42/ACB-A, 1.1/8"-1.5" w/4.3mm cap
FORK	Fox 32 SC 29" Factory Kashima remote, 100mm travel, FIT4 2 position remote w/open mode adj PTU, 1.5" ALU Tapered (black) HT, Kabolt 15X110 axle, 44mm rake, w/ remote bottom left dual-cable for 1xdrivetrain (fork+shock)
SHIFTER	Sram XX1 Eagle AXS 12sp discrete clamp
REAR DERAILLEUR	Sram XX1 Eagle AXS 12sp
CRANKSET	Sram XX1 Eagle DUB 34T, carbon crank arm, 52mm chainline 148 BOOST compatible, direct mount, CNC-machined rings, crank length: 170mm-15", 175mm-17/21"
BOTTOM BRACKET	Sram DUB PressFit BB92, 41x92mm
CHAIN	Sram PC-XX1 Eagle 12sp w/PowerLock
CASSETTE / FREEWHEEL	Sram XG-1299 Eagle Rainbow 12sp, 10,12,14,16,18,21,24,28,32,36,42,52T
BRAKE	Shimano XTR M9100, w/180mm front adaptor and Flat Mount rear adaptor, resin pad

DISC ROTOR	Shimano RT-MT900 diam. front 180mm and rear 160mm, Center Lock w/IceTech
RIM/WHEELSET	DT Swiss XRC 1501 Spline One 29" Carbon 30mm, thru axle front 15x110mm, rear 12x148mm rear, XD body, TL-ready rim w/tubeless band and valve, 30mm inner width
TIRE	Kenda Booster Pro 29x2.20, Tubeless Race compound, 120Tpi, folding, ETRTO 56-622
STEM	Fsa KFX, 3D forged/machined AL2014 w/Ti bolts Carbon faceplate, finish UD carbon, 1.1/8", diam. 31,8mm, rise -12°, ext: 60mm-15", 70mm-17", 80mm-19", 90mm-21"
HANDLEBAR	Fsa KFX ICR flat, UD carbon, width 760mm, diam. 31.8mm, 9° backsweep, 4° upsweep
GRIP / TAPE	T-One T-GP43X, Silicone grips, length 130mm
SEATPOST	Fsa KFX SBO UD carbon monocoque w/2-bolts MTC head, Di2 compatible, diam. 31,6mm, 0mm seatback, length: 350mm-15", 400mm-17/21"
SADDLE	Fizi:k Taiga, S-alloy rails



IMPROVED TRAVEL

REAR SUSPENSION
100mm

FRONT TRAVEL
100mm

The all-new carbon frame is built exclusively for use with 1x drivetrains, so you can keep spec weight to a minimum, and it comes in 15", 17", 19" and 21" versions. As you'd expect with a competition-crushing race bike, the frame has internal cable routes and is dropper post-compatible. It runs up to 29x2.4" tyres and has a Boost 12x148TA rear axle.



METHANOL 9.2 CV FS - XTR/XT 1X12SP



CODE	YQBP6	DISC ROTOR	Shimano RT-MT800, diam. 180mm front and 160mm rear, Center Lock w/Ice Tech
COLOR	5G - Black/CK16 glossy	RIM/WHEELSET	DT Swiss XR 1700 Spline 29" 25mm, thru axle 15x110mm, 12x148mm, Shimano 12sp body, Center Lock, TL-ready rim w/tubeless band and valve, 25mm inner width
FRAME	Methanol CV FS 100mm 29" full carbon HM monocoque w/Bianchi CV, 1.5" tapered HT, BB92, only 1x drivetrain, PM 160mm carbon dropout, 12x148mm BOOST, internal cable routing, seatpost diam. 31.6mm, shock length/travel 190/40mm w/eyelets 20mm x diam.8mm, sizes 15-17-19-21"	TIRE	Kenda Booster Pro 29x2.20, Tubeless Race compound, 120Tpi, folding, ETRTO 56-622
BOLTS / HARDWARE	Carbon-Ti bolts AL7075-T6, large button head, Torx M5*14mm, w/Bianchi & Carbon-Ti logo (2pcs)	STEM	Tec Cursus, 3D forged AL7050-T6, 1.1/8", diam. 31.8mm, +/-7°, ext: 60mm-15", 70mm-17", 80mm-19", 90mm-21"
REAR SHOCK	Rock Shox Sid Luxe Select + RLR, 190/40mm, Debonair, w/eyelets 20mm x ø8mm	HANDLEBAR	Tec Cursus flat, double butted AL2014-T6, width 740mm, diam. 31.8mm, backsweep 9°
SEATPOST CLAMP	Alu, 35.4mm clamp	GRIP / TAPE	T-One T-GP43X, Silicone grips, length 130mm
HEADSET	Fsa Orbit C-40, NO.42/ACB-A, 1.1/8"-1.5" w/4.3mm cap	SEATPOST	Tec Cursus Carbon S80, carbon UD shaft with forged head, diam. 31.6mm, 0mm seatback, length: 350mm-15", 400mm-17/21"
FORK	Rock Shox SID SL SELECT 29", CHARGER RL, Solo Air 100mm w/Tall oneLoc remote left, 1.5 alu HT, 15X110mm Maxle Stealth, 32mm stanchions, magnesium lowers, PM 160mm disc mount, 44mm offset	SADDLE	Fizik Taiga, S-alloy rails
SHIFTER	Shimano XT SL- M8100R 12sp		
REAR DERAILLEUR	Shimano XTR RD-M9100SGS Shadow+ Design 12sp, top normal, direct attachment, Max 10-51T		
CRANKSET	Shimano XTR FC-M9100-1 34T, 162mm Q- Factor, 52mm chainline, crank length: 170mm-15", 175mm-17/21"		
BOTTOM BRACKET	Shimano SM-BB94-41A for BB92		
CHAIN	Shimano CN-M8100, 12sp		
CASSETTE / FREEWHEEL	Shimano CS-M8100-12, 10-51T		
BRAKE	Shimano XT M8100 w/180mm front adaptor and Flat Mount rear adaptor, resin pad		



METHANOL 9.3 CV FS - XT/SLX 1X12SP



CODE	YQBS9	FRONT HUB	Formula CL-811 for Center Lock, 32h 15x110mm, sealed bearings
COLOR	5G - CK16/Black full glossy	REAR HUB	Shimano FH-MT510-B, Centerlock, 32h 12x148mm, Shimano 12sp body
FRAME	Methanol CV FS 100mm 29" full carbon HM monocoque w/Bianchi CV, 1.5" tapered HT, BB92, only 1x drivetrain, PM 160mm carbon dropout, 12x148mm BOOST, internal cable routing, seatpost diam. 31.6mm, shock length/travel 190/40mm w/eyelets 20mm x diam.8mm, sizes 15-17-19-21"	RIM/WHEELSET	Wtb KOM light i25 29", 622x25, 32 holes
BOLTS / HARDWARE	Carbon-Ti bolts AL7075-T6, large button head, Torx M5*14mm, w/Bianchi & Carbon-Ti logo (2pcs)	TIRE	Kenda Booster Pro 29x2.20, Tubeless Race compound, 120Tpi, folding, ETRTO 56-622
REAR SHOCK	Rock Shox Sid Luxe Select + RLR, 190/40mm, Debonair, w/eyelets 20x8mm	STEM	Tec Cursus, 3D forged AL7050-T6, 1.1/8", diam. 31.8mm, +/-7°, ext: 60mm-15", 70mm-17", 80mm-19", 90mm-21"
SEATPOST CLAMP	Alu, 35.4mm clamp	HANDLEBAR	Tec Cursus flat, double butted AL2014-T6, width 740mm, diam. 31.8mm, backsweep 9°
HEADSET	Fsa Orbit C-40, NO.42/ACB-A, 1.1/8"-1.5" w/4.3mm cap	GRIP / TAPE	T-One T-GP43X, Silicone grips, length 130mm
FORK	Rock Shox Sid SL Select 29", Charger RL, Solo Air 100mm w/Tall oneLoc remote left, 1.5 alu HT, 15x110mm Maxle Stealth, 32mm stanchions, magnesium lowers, PM 160mm disc mount, 44mm offset	SEATPOST	Tec Cursus Carbon SBO, carbon UD shaft with forged head, diam. 31.6mm, 0mm seatback, length: 350mm-15", 400mm-17/21"
SHIFTER	Shimano SLX 1x12sp	SADDLE	Fi'zi:k Taiga, S-alloy rails
REAR DERAILLEUR	Shimano XT RD-M8100-SGS Shadow Design + 12sp, top normal, direct attachment, max 10-51T		
CRANKSET	Shimano FC-MT511-1, 32T, crank length: 170mm-15", 175mm-17/21"		
BOTTOM BRACKET	Shimano BB-MT500-PA PressFit 41x92mm		
CHAIN	Shimano CN-M7100, 12sp		
CASSETTE / FREEWHEEL	Shimano CS-M7100-12, 12sp, 10-51T		
BRAKE	Shimano BR-M6100, w/180mm front adaptor and Flat Mount rear adaptor, resin pad		
DISC ROTOR	Shimano RT-54, Center Lock, 180mm front and 160mm rear		



METHANOL CV RS



RIDING ON ROUGH TERRAIN
WITH DROPS OF LESS THAN 61 cm

XCO racing machine engineered with Bianchi CV Technology to tame the trail faster, more smoothly, in greater control and with more energy to attack and hold more aggressive lines.

KEY FEATURES

- Full carbon frame engineered with Countervail®
- 12x148mm Boost thru axle
- Di2 compatible, dropper seatpost compatible w/ internal cable routing
- Geometry w/longer reach and slacker HT angle
- Weight 940g (+/-5%, size 17", MN color)
- 4 sizes available: S, M, L, XL



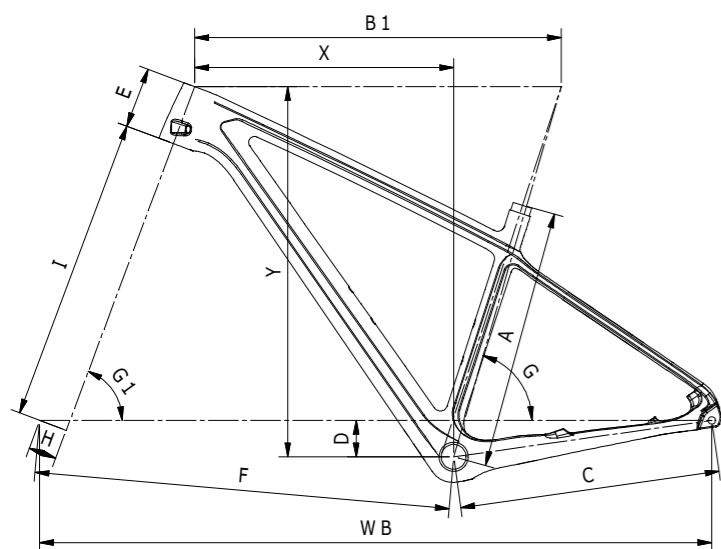
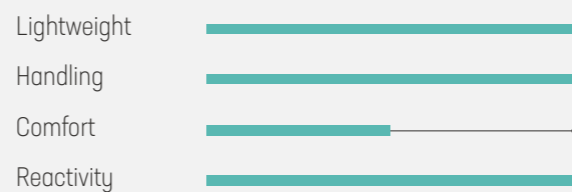
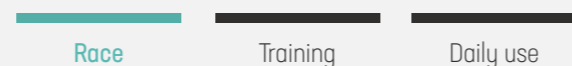
DESIGNED FOR

Pure racers. Professional and expert XCO and XCM purists.

COURSE/TERRAIN



ACTIVITY



MIS	A	B1	C	D	E	F	G	GI	H	I	X	Y	WB	
S	15"	380	575	430	60	90	660	74°	69.5°	51	504	401	599	1084
M	17"	430	600	430	60	100	685	74°	69.5°	51	504	423	609	1109
L	19"	470	625	430	60	110	710	74°	69.5°	51	504	445	618	1134
XL	21"	520	650	430	60	120	736	74°	69.5°	51	504	467	627	1160



CLEARANCE

Improved clearance in the chainstays allows to accommodate larger tyres up to 58mm width in wet, muddy conditions.

LARGER TYRES UP TO 58mm



DRIVETRAIN

The Methanol CV RS is now 1x drivetrain specific.



XCO RACING GEOMETRY

The frame shape and structure saves weight, improves steering response and accuracy. Geometry has been optimized to respond to the new faster, rougher race tracks by adding a longer reach and a slacker head tube angle. This creates a more confident feel for the rider at speed and a greater ability to attack the trail, especially in corners and steep descents.

METHANOL 9.1 CV RS - XXI EAGLE ETAP AXS IX12SP



CODE	YQB73
COLOR	2A - CK16/Black glossy, Tavolozza
FRAME	Methanol CV RS 29" full carbon w/Bianchi CV, high modulus monocoque, 1.5" tapered HT, Pressfit BB92 (41x92), 1x drivetrains only, 27,2mm seatpost, PM 160mm carbon dropout 12x148 BOOST, internal cable routing Di2 compatible, sizes 15,17,19,21"
BOLTS / HARDWARE	Carbon-Ti bolts AL7075-T6, large button head, Torx M5*14mm (15" > 2 pcs-17,19,21" > 4pcs), w/Bianchi & Carbon-Ti logo
SEATPOST CLAMP	diam. 31,8mm
HEADSET	Fsa Orbit C-40, NO.42/ACB-A, 1.1/8"-1.5" w/4.3mm cap
FORK	Fox 32 SC 29" Factory Kashima remote, 100mm travel, FIT4 2 position remote w/open mode adj PTU, 1.5" Alu Tapered HT, Kabolt 15x110mm axle, 44mm rake
SHIFTER	Sram XX1 Eagle AXS 12sp MatchmakerX
REAR DERAILLEUR	Sram XX1 Eagle AXS 12sp
CRANKSET	Sram XX1 Eagle DUB 34T, carbon crank arm, 52mm chainline 148 BOOST compatible, direct mount, CNC-machined rings, crank length: 170mm-15", 175mm-17/21"
BOTTOM BRACKET	Sram DUB PressFit BB92, 41x92mm
CHAIN	Sram PC-XX1 Eagle 12sp w/PowerLock

CASSETTE / FREEWHEEL	Sram XG-1299 Eagle Rainbow 12sp, 10,12,14,16,18,21,24,28,32,36,42,52T
BRAKE	Sram Level Ultimate, aluminum caliper, carbon lever, 20mm bracket for front 180mm, matchmakerX clamp
DISC ROTOR	Sram Centerline X, diam front 180mm and rear 160mm, 2-pieces, 6 holes
RIM/WHEELSET	DT Swiss XRC 1501 Spline One 29" Carbon 30mm, thru axle 15x110mm, 12x148mm, XD body, TL-ready rim w/tubeless band and valve, 30mm inner width
TIRE	Kenda Booster Pro 29x2.20, Tubeless Race compound, 120Tpi, folding, ETRTO 56-622
STEM	Fsa KFX, 3D forged/machined AL2014 w/Ti bolts Carbon faceplate, finish UD carbon, -12°, 1.1/8", 31,8mm, ext: 70mm-15", 80mm-17", 90mm-19/21"
HANDLEBAR	Fsa KFX ICR flat, UD carbon, width 760mm, diam. 31.8mm, 9° backsweep, 4° upsweep
GRIP / TAPE	T-One T-GP43X, Silicone grips, length 130mm
SEATPOST	Fsa KFX SBO, UD carbon monocoque w/2-bolts MTC head, Di2 compatible, diam. 27,2mm, 0mm seatback, length 350mm-15" and 400mm-17/21"
SADDLE	Fi'zi:k Taiga, S-alloy rails



METHANOL 9.2 CV RS - XTR 1X12SP



CODE	YQB74
COLOR	2A - CK16/Black full glossy, Tavolozza
FRAME	Methanol CV RS 29" full carbon w/Bianchi CV, high modulus monocoque, 1.5" tapered HT, Pressfit BB92 (41x92), 1x drivetrains only, 27,2mm seatpost, PM 160mm carbon dropout 12x148 BOOST, internal cable routing Di2 compatible, sizes 15,17,19,21"
BOLTS / HARDWARE	Carbon-Ti bolts AL7075-T6, large button head, Torx M5*14mm (15" > 2 pcs-17,19,21" > 4pcs), w/Bianchi & Carbon-Ti logo
SEATPOST CLAMP	diam. 31,8mm
HEADSET	Fsa Orbit C-40, NO.42/ACB-A, 1.1/8"-1.5" w/4.3mm cap
FORK	Fox 32 SC 29" Factory Kashima remote, 100mm travel, FIT4 2 position remote w/open mode adj PTU, 1.5" Alu Tapered HT, Kabolt 15x110mm axle, 44mm rake
SHIFTER	Shimano XTR SL- M9100IR 1x12sp, I-spec EV
REAR DERAILLEUR	Shimano XTR RD-M9100SGS Shadow+ Design 12sp, top normal, direct attachment, Max 10-51T
CRANKSET	Shimano XTR FC-M9100-1 34T, 162mm Q- Factor, 52mm chainline, crank length: 170mm-15", 175mm-17/21"
BOTTOM BRACKET	Shimano SM-BB94-41A for BB92
CHAIN	Shimano CN-M9100 12sp
CASSETTE / FREEWHEEL	Shimano CS-M9100-12, 10-12-14-16-18-21-24-28-33-39-45-51T
BRAKE	Shimano XTR M9100, w/180mm front adaptor, resin pad
DISC ROTOR	Shimano RT-MT900 diam. front 180mm and rear 160mm, Center Lock w/IceTech
RIM/WHEELSET	DT Swiss XR 1700 Spline 29" 25mm, thru axle 15x110mm, 12x148mm, Shimano 12sp body, Center Lock, TL-ready rim w/tubeless band and valve, 25mm inner width

TIRE	Kenda Booster Pro 29x2.20, Tubeless Race compound, 120Tpi, folding, ETRTO 56-622
STEM	Fsa SL-K, 3D Forged/CNC AL2014 w/UD Carbon faceplate, +/-12°, 1.1/8", diam. 31,8mm, ext: 70mm-15", 80mm-17", 90mm-19/21"
HANDLEBAR	Fsa SL-K flat, UD carbon, width 740mm, diam. 31.8mm, 9° backsweep, 4° upsweep
GRIP / TAPE	T-One T-GP43X, Silicone grips, length 130mm
SEATPOST	Fsa SL-K SBO, UD Carbon shaft, MTC head, diam. 27.2mm, 0mm seatback length: 350mm-15"mm, 400mm-17/21"
SADDLE	Fi'zi:k Taiga, S-alloy rails



METHANOL 9.3 CV RS - XT 1X12SP



CODE	YQBR1
COLOR	2A - CK16/Black full glossy, Tavolozza
FRAME	Methanol CV RS 29" full carbon w/Bianchi CV, high modulus monocoque, 1.5" tapered HT, Pressfit BB92 (41x92), 1x drivetrains only, 27,2mm seatpost, PM 160mm carbon dropout 12x148 BOOST, internal cable routing Di2 compatible, sizes 15,17,19,21"
BOLTS / HARDWARE	Carbon-Ti bolts AL7075-T6, large button head, Torx M5*14mm (15" > 2 pcs-17,19,21" > 4pcs), w/Bianchi & Carbon-Ti logo
SEATPOST CLAMP	diam. 31,8mm
HEADSET	Fsa Orbit C-40, NO.42/ACB-A, 1.1/8"-1.5" w/4.3mm cap
FORK	Rock Shox SID SL Select 29", CHARGER RL, Solo Air 100mm w/Tall oneLoc remote left, 1.5 alu HT, 15X110mm Maxle Stealth, 32mm stanchions, magnesium lowers, PM 160mm disc mount, 44mm offset
SHIFTER	Shimano XT SL- M8100R 12sp
REAR DERAILLEUR	Shimano XT RD-M8100-SGS Shadow Design + 12sp, top normal, direct attachment, max 10-51T
CRANKSET	Shimano XT FC-M8100-1, 32T, crank length: 170mm-15", 175mm-17/21"
BOTTOM BRACKET	Sram DUB PressFit BB92 (41x92)
CASSETTE / FREEWHEEL	Shimano CS-M8100-12, 10-51T
BRAKE	Shimano XT M8100 w/180mm front adaptor, resin pad
DISC ROTOR	Shimano RT-70, Center Lock, 180mm front and 160mm rear
RIM/WHEELSET	DT Swiss XR 1700 Spline 29" 25mm, thru axle 15x110mm, 12x148mm, Shimano 12sp body, Center Lock, TL-ready rim w/tubeless band and valve, 25mm inner width

TIRE	Kenda Booster Pro 29x2.20, Tubeless Race compound, 120Tpi, folding, ETRTO 56-622
STEM	Tec Cursus 3D forged AL7050-T6, +/-7°, 1.1/8", 31.8mm, ext: 70mm-15", 80mm-17", 90mm-19/21"
HANDLEBAR	Tec Cursus flat, double butted AL2014-T6, width 740mm, diam. 31,8mm, backsweep 9°
GRIP / TAPE	T-One T-GP43X, Silicone grips, length 130mm
SEATPOST	Tec Cursus Carbon SBO, UD carbon shaft with forged head, diam. 27.2mm, 0mm seatback, length 350mm-15", 400mm-17/21"
SADDLE	Fi'zi:k Taiga, S-alloy rails



METHANOL CV S - GX EAGLE 1X12SP

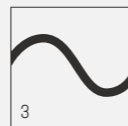


THE IMAGE SHOWN IS INDICATIVE ONLY. Components and graphic details may differ from the actual model.

CODE	YQBI3	STEM	Tec Cursus 3D forged AL7050-T6, +/-7°, 1.1/8", 31.8mm, ext: 70mm-15", 80mm-17", 90mm-19/21"
COLOR	2A - CK16/Black full glossy	HANDLEBAR	Tec Cursus flat, double butted AL2014-T6, width 720mm, diam. 31.8mm, backsweep 9°
FRAME	Methanol CV S 29" HM carbon w/Bianchi CV, 1.5" tapered HT, Pressfit BB92, High direct mount, bottom pull, 27.2mm seatpost, PM 160mm carbon dropout 12x148 BOOST, internal cable routing Di2 compatible, sizes 15,17,19,21"	GRIP / TAPE	T-One Rock T-GP34 single lock grip, TPR, plastic inner body, aluminum clamp
SEATPOST CLAMP	MX-112C diam. 31.8mm	SEATPOST	TEC Obvius, AL6061 shaft with forged head, ø27.2mm, 0mm seatback, length 350mm for 15" and 400mm for 17,19,21"
HEADSET	Fsa Orbit C-40, NO.42/ACB-A, 1.1/8"-1.5" w/4.3mm cap	SADDLE	Selle Royal Seta S1, manganese rail, 277x144mm
FORK	Rock Shox Sid SL Select+ 29", Charger 2 RL, Solo Air 100mm w/Tall oneLoc remote left, 1.5 alu HT, 15x110mm Maxle Stealth, 32mm stanchions, magnesium lowers, PM 160mm disc mount, 44mm offset		
SHIFTER	Sram GX Eagle 1x12sp trigger		
REAR DERAILLEUR	Sram GX Eagle 12sp long carbon cage Type2.1		
CRANKSET	Sram GX Eagle DUB 32T, 52mm chainline BOOST compatible, crank length: 170mm-15", 175mm-17/21"		
BOTTOM BRACKET	Sram DUB PressFit BB92, 41x92mm		
CHAIN	Sram GX Eagle 12sp		
CASSETTE / FREEWHEEL	Sram XG-1275 12sp, 10,12,14,16,18,21,24,28,32,36,42,52T		
BRAKE	Shimano M6100 w/180mm front adapter, resin pad		
DISC ROTOR	Shimano SM-RT54 CL 180mm front & 160mm rear, CenterLock, for resin pad only		
FRONT HUB	Formula CL-811 for Center Lock, 32h, thru axle 15x110mm, sealed bearings		
REAR HUB	Formula CL-1481 for Center Lock, 32h, 12x148mm Boost, XD body, 4 sealed bearings, j-bend spokes		
RIM/WHEELSET	Wtb KOM light i25 29", 622x25c, 32 holes		
TIRE	Kenda Booster Pro 29x2.20, Tubeless Race compound, 120Tpi, folding, ETRTO 56-622		



NITRON



RIDING ON ROUGH TERRAIN
WITH DROPS OF LESS THAN 61 cm

Race ready 29er platform with the DNA of the worldwide winning Methanol line.

KEY FEATURES

- Race ready 29" geometry w/4 sizes available (S, M, L, XL)
- 12x148mm Boost thru axle
- Internal cable routing for dropper seatpost compatible,
- Shimano side-swing FD compatible
- 429mm chain stay length

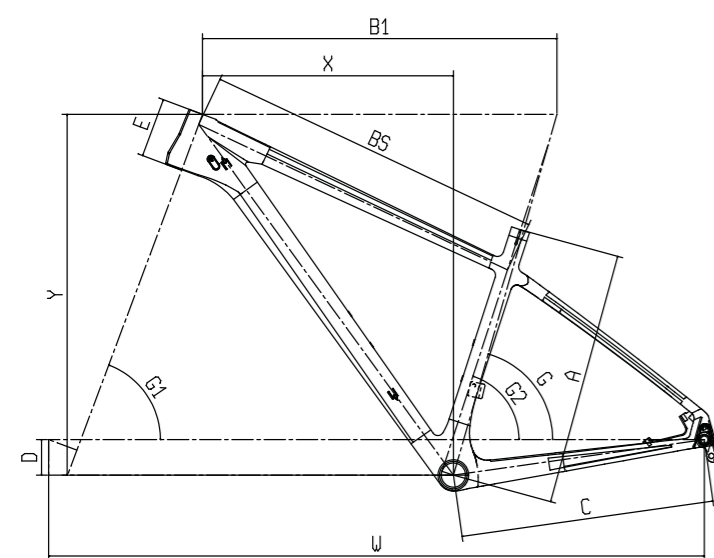
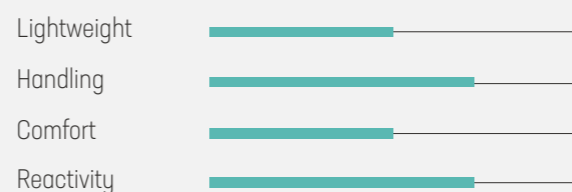
DESIGNED FOR

Expert riders looking for a race oriented hardtail with best performance/price ratio.

COURSE/TERRAIN



ACTIVITY



SIZE	AB	1B	SC	DE	GG	IY	XW					
S	15"	380	570	557	429	60	90	74°	69.5°	601	397	1079
M	17"	430	600	574	429	60	100	74°	69.5°	611	424	1110
L	19"	480	625	598	429	60	110	74°	69.5°	620	447	1135
XL	21"	530	645	619	429	60	120	74°	69.5°	629	464	1156

NITRON 9.2 - XT/SLX 1X12SP



CODE	YQBP4	STEM	Tec Obvius 3D forged alloy 6061, +/-7°, 1.1/8", diam. 31.8mm, ext: 70mm-15", 80mm-17", 90mm-19/21"
COLOR	6U - CK16/Black-Red glossy	HANDLEBAR	Tec Obvius flat DB Alloy 6061-T6, width 720mm, diam. 31.8mm, 9° backsweep
FRAME	Nitron 29" full carbon monocoque, 1.5" tapered HT, BB92, seatpost diam. 27.2mm, HDM FD, PM 160mm carbon dropout 12x148mm BOOST Thru axle, internal cable routing, sizes 15-17-19-21"	GRIP / TAPE	T-One Rock T-GP34 single lock grip, TPR, plastic inner body, aluminum clamp
SEATPOST CLAMP	MX-112C diam. 31.8mm	SEATPOST	TEC Obvius, AL6061 shaft with forged head, ø27.2mm, 0mm seatback, length 350mm for 15" and 400mm for 17,19,21"
HEADSET	Fsa Orbit C-40, NO.42/ACB-A, 1.1/8"-1.5" w/4.3mm cap	SADDLE	Selle Royal Seta S1, manganese rail, 277x144mm
FORK	Rock Shox SID SL Select 29", Charger RL, Solo Air 100mm w/Tall oneLoc remote left, 1.5 alu HT, 15X110mm Maxle Stealth, 32mm stanchions, magnesium lowers, PM 160mm disc mount, 44mm offset		
SHIFTER	Shimano SLX 1x12sp		
REAR DERAILLEUR	Shimano XT RD-M8100-SGS Shadow Design + 12sp, top normal, direct attachment, max 10-51T		
CRANKSET	Shimano XT FC-M8100-1, 32T, crank length: 170mm-15", 175mm-17/21"		
BOTTOM BRACKET	Sram DUB PressFit BB92 (41x92)		
CHAIN	Shimano CN-M7100, 12sp		
CASSETTE / FREEWHEEL	Shimano CS-M7100-12, 12sp, 10-51T		
BRAKE	Shimano M6100 w/180mm front adapter, resin pad		
DISC ROTOR	Shimano SM-RT54 CL 180mm front & 160mm rear, CenterLock, for resin pad only		
FRONT HUB	Formula CL-811 for Center Lock, 32h, thru axle 15x110mm, sealed bearings		
REAR HUB	Shimano FH-MT510-B, Center Lock, 32h, 12x148mm, Shimano 12speed body		
RIM/WHEELSET	Wtb KOM light i25 29", 622x25, 32 hole		
TIRE	Kenda Booster Pro 29x2.20, Tubeless Race compound, 120Tpi, folding, ETRTO 56-622		



NITRON 9.3 - XT/SLX 1X12SP



CODE	YQBP5
COLOR	6U - CK16/Black-Red full glossy, 7G - Light grey/Black-Red full glossy
FRAME	Nitron 29" full carbon monocoque, 1.5" tapered HT, BB92, seatpost diam. 27.2mm, HDM FD, PM 160mm carbon dropout 12x148mm BOOST Thru axle, internal cable routing, sizes 15-17-19-21"
SEATPOST CLAMP	MX-112C diam. 31,8mm
HEADSET	Fsa Orbit C-40, NO.42/ACB-A, 1.1/8"-1.5" w/4.3mm cap
FORK	Rock Shox Judy Gold RL 29" Solo Air 100mm w/Tall oneLoc remote left, 1.5 Tapered HT, 15x110mm BOOST Maxle stealth, 30mm stanchions, magnesium lowers, PM 160mm disc mount, 51mm offset
SHIFTER	Shimano SLX 1x12sp
REAR DERAILLEUR	Shimano XT RD-M8100-SGS Shadow Design + 12sp, top normal, direct attachment, max 10-51T
CRANKSET	Shimano FC-MT511-1, 32T, crank length: 170mm-15", 175mm-17/21"
BOTTOM BRACKET	Shimano BB-MT500-PA PressFit 41x92mm
CHAIN	Shimano CN-M6100, 12sp
CASSETTE / FREEWHEEL	Shimano CS-M7100-12, 12sp, 10-51T
BRAKE	Shimano M4100, w/180mm front adapter, resin pad
DISC ROTOR	Shimano SM-RT10 CL, diam. 180mm front & 160mm rear, Center Lock, for resin pad only
FRONT HUB	Shimano HB-MT400-B for Center Lock, 32h, 15x110mm TA
REAR HUB	Shimano FH-MT410-B for Center Lock, 32h 12x148mm BOOST, 12speed Microspline body
RIM/WHEELSET	Wtb KOM light i25 29", 622x25, 32 hole

TIRE	Kenda Booster Pro 29x2.20, Tubeless Race compound, 120Tpi, folding, ETRTO 56-622
STEM	Tec Obvius 3D forged alloy 6061, +/-7°, 1.1/8", diam. 31.8mm, ext: 70mm-15", 80mm-17", 90mm-19/21"
HANDLEBAR	Tec Obvius flat DB Alloy 6061-T6, width 720mm, diam. 31,8mm, 9° backsweep
GRIP / TAPE	T-One Rock T-GP34 single lock grip, TPR, plastic inner body, aluminum clamp
SEATPOST	TEC Obvius, AL6061 shaft with forged head, ø27.2mm, 0mm seatback, length 350mm for 15" and 400mm for 17,19,21"
SADDLE	Selle Royal Seta S1, manganese rail, 277x144mm



NITRON 9.4 - XT/DEORE 1X12SP



CODE	YQB07
COLOR	6U - CK16/Black-Red full glossy, 5L - Black/Graphite-Red full matt
FRAME	Nitron 29" full carbon monocoque, 1.5" tapered HT, BB92, seatpost diam. 27.2mm, HDM FD, PM 160mm carbon dropout 12x148mm BOOST Thru axle, internal cable routing, sizes 15-17-19-21"
SEATPOST CLAMP	MX-112C diam. 31,8mm
HEADSET	Fsa Orbit C-40, NO.42/ACB-A, 1.1/8"-1.5" w/4.3mm cap
FORK	Rock Shox Judy Silver TK 29" Solo Air 100mm w/Poploc remote left, 1.5 Tapered HT, 15x110mm BOOST Maxle stealth, 30mm stanchions, magnesium lowers, PM 160mm disc mount, 51mm offset
SHIFTER	Shimano Deore SL-M6100-R 1x12sp
REAR DERAILLEUR	Shimano XT RD-M8100-SGS Shadow Design + 12sp, top normal, direct attachment, max 10-51T
CRANKSET	Shimano FC-MT511-1, 32T, crank length: 170mm-15", 175mm-17/21"
BOTTOM BRACKET	Shimano BB-MT500-PA PressFit 41x92mm
CHAIN	Shimano CN-M6100, 12sp
CASSETTE / FREEWHEEL	Shimano CS-M6100-12, 12sp, 10-51T
BRAKE	Shimano BR-MT200 w/180mm front adapter, resin pad
DISC ROTOR	Shimano SM-RT10 CL, diam. 180mm front & 160mm rear, Center Lock, for resin pad only
FRONT HUB	Shimano HB-MT400-B for Center Lock, 32h, 15x110mm TA
REAR HUB	Shimano FH-MT410-B for Center Lock, 32h 12x148mm BOOST, 12speed Microspline body
RIM/WHEELSET	Wtb KOM light i25 29", 622x25, 32 hole

TIRE	Kenda Booster Pro 29x2.20, Tubeless Race compound, 120Tpi, folding, ETRTO 56-622
STEM	Tec Obvius 3D forged alloy 6061, +/-7°, 1.1/8", diam. 31.8mm, ext: 70mm-15", 80mm-17", 90mm-19/21"
HANDLEBAR	Tec Obvius flat DB Alloy 6061-T6, width 720mm, diam. 31,8mm, 9° backsweep
GRIP / TAPE	T-One Rock T-GP34 single lock grip, TPR, plastic inner body, aluminum clamp
SEATPOST	TEC Obvius, AL6061 shaft with forged head, ø27.2mm, 0mm seatback, length 350mm for 15" and 400mm for 17,19,21"
SADDLE	Selle Royal Seta S1, manganese rail, 277x144mm



NITRON 9.4 - NX/SX EAGLE 1X12SP

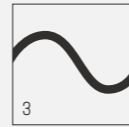


THE IMAGE SHOWN IS INDICATIVE ONLY. Components and graphic details may differ from the actual model.

CODE	YQBP8	STEM	Velomann 3D forged alloy 6061, +/-7°, 1.1/8", diam. 31.8mm, ext: 70mm-15", 80mm-17" and 90mm-19/21"
COLOR	6U - Ck16/Black-Red glossy, 5L - Black/Graphite-Red matt	HANDLEBAR	Velomann Flat top DB Alloy 6061-T6, width 720mm, diam. 31.8mm, 9° backsweep
FRAME	Nitron 29" full carbon monocoque, 1.5" tapered HT, BB92, seatpost diam. 27.2mm, HDM FD, PM 160mm carbon dropout 12x148mm BOOST Thru axle, internal cable routing, sizes 15-17-19-21"	GRIP / TAPE	T-One Rock T-GP34 single lock grip, TPR, plastic inner body, aluminum clamp
SEATPOST CLAMP	MX-112C diam. 31.8mm	SEATPOST	Velomann AL6061 shaft w/forged head, diam. 27.2mm, 0mm seatback, length 350mm-15", 400mm-17/21"
HEADSET	Fsa Orbit C-40, NO.42/ACB-A, 1.1/8"-1.5" w/4.3mm cap	SADDLE	Velomann, manganese rail, 277x144mm
FORK	Rock Shox Judy Silver TK 29" Solo Air 100mm w/Poploc remote, 1.5 Tapered HT, 15x110mm BOOST Maxle stealth, 30mm stanchions, magnesium lowers, PM 160mm disc mount, 51mm offset		
SHIFTER	Sram SX Eagle 1x12sp		
REAR DERAILLEUR	Sram NX Eagle 12sp long cage		
CRANKSET	Sram X1 1000 Eagle Dub 32T, 52mm chainline BOOST compatible, crank length: 170mm-15", 175mm-17/21"		
BOTTOM BRACKET	Sram DUB PressFit BB92, 41x92mm		
CHAIN	Sram SX Eagle 12sp		
CASSETTE / FREEWHEEL	Sram PG1210 12sp, 11-50T		
BRAKE	Sram Level DB-LVL-A1		
DISC ROTOR	Sram Centerline, front 180, rear 160mm		
FRONT HUB	Formula CL-811 for Center Lock, 32h, 15mmTA, sealed bearings		
REAR HUB	Formula CL-3248 Center Lock, 32h, 12x148mm Boost, 2 sealerd bearings, j-bend spokes		
RIM/WHEELSET	Wtb KOM light i25 29", 622x25c, 32 holes		
TIRE	Kenda Booster Pro 29x2.20, Tubeless Race compound, Tubeless race, 120Tpi, folding, ETRTO 56-622		



MAGMA



RIDING ON ROUGH TERRAIN
WITH DROPS OF LESS THAN 61 cm

Bringing a whole new meaning to the 'performance hardtail'. Take on any challenge the trail throws your way on a bike that consistently performs to its maximum ability.

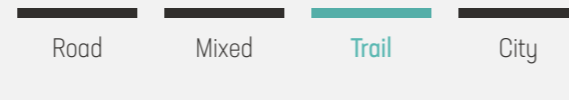
KEY FEATURES

- Alu frame with 29in wheels
- Leisure dedicated geometry in 29
- Two frame versions for 29" (BOOST QR 141mm & 135mm QR)
- Low brake PM 160mm
- Carrier and mud-guards ready
- HDM side swing (BOOST QR 141mm version)
- Low clamp FD bottom pull (135mm QR version)
- AL6061 frame

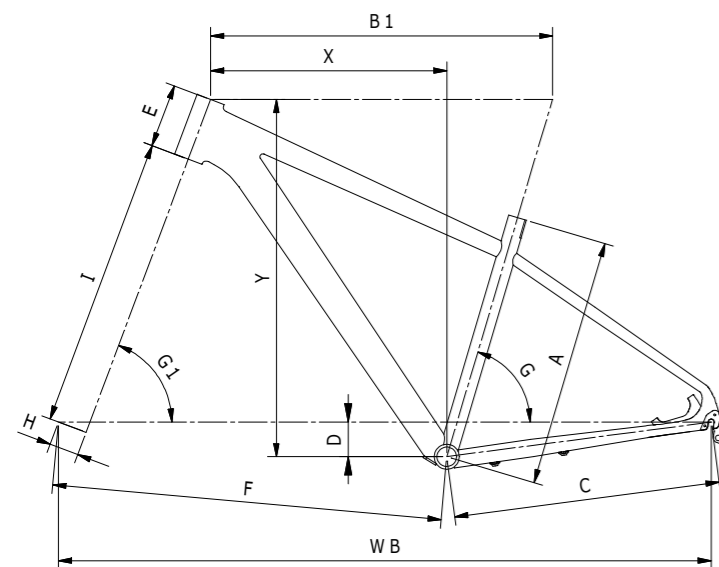
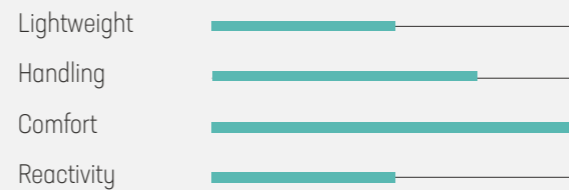
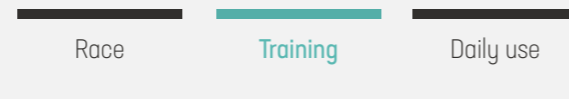
DESIGNED FOR

First time shredders and riders who want to get the most out of any terrain in all conditions.

COURSE/TERRAIN



ACTIVITY



SIZE	A	B1	C	D	E	F	G	G1	H	I	X	Y	WB	
S	15"	380	570	460	60	100	658	74°	69.5°	51	500	394	609	1112
M	17"	430	590	460	60	110	672	73.5°	69.5°	51	500	407	616	1126
L	19"	480	615	460	60	120	698	73.5°	69.5°	51	500	430	626	1152
XL	21"	530	635	460	60	130	719	73.5°	69.5°	51	500	447	635	1172

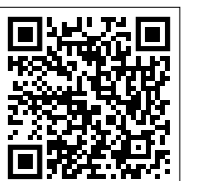
MAGMA 9.S - SX EAGLE 1X12SP



THE IMAGE SHOWN IS INDICATIVE ONLY. Components and graphic details may differ from the actual model.

CODE	YQBW3
COLOR	6K - CK16/Black-White glossy, 6B - Black/CK16-White glossy
FRAME	Magma 29 alu, 1.1/8" HT, BSA 68mm, seatpost diam. 27.2mm, HDM bottom pull or Side-Swing, PM 160mm, BOOST 9x141mm QR, internal cable routing, sizes 15-17-19-21"
SEATPOST CLAMP	339QX diam. 31.8mm, alloy clamp & lever
HEADSET	Fsa TH888 forged steel cups ID diam.34mm, stack height 12.8+11=23.8mm, w/15mm cap
FORK	Rock Shox Judy Silver TK 29" Solo Air, 100mm w/PopLoc remote, 1.1/8" Alu HT, 9mm QR axle, 30mm stanchions, magnesium lowers, PM 160mm disc mount, 51mm offset
SHIFTER	Sram SX Eagle 1x12sp trigger
REAR DERAILLEUR	Sram SX Eagle 12sp long cage
CRANKSET	Sram X1 1000 Eagle Dub 32T, 52mm chainline BOOST compatible, crank length: 170mm-15", 175mm-17/21"
BOTTOM BRACKET	Sram DUB Bsa
CHAIN	Sram SX Eagle 12sp
CASSETTE / FREEWHEEL	Sram PG1210 12sp, 11-50T
BRAKE	Tektro HD-M275
DISC ROTOR	Tektro TR160-35, diam. 160mm
FRONT HUB	Formula CL-1420 for Center Lock, 32h, 100mm OLD, loose balls, w/QR
REAR HUB	Formula CL-2241 Disc, OLD 141mm, Center Lock, J-Bend, w/QR
RIM/WHEELSET	Velomann DP2.5, 622x25c, 32 holes
TIRE	Kenda Booster 29x2.20, DTC compound, 30Tpi, wire, ETRTO 56-622

STEM	Velomann 3D forged Alloy 6061, +/-7°, 1.1/8mm, diam. 31.8mm, ext: 80mm-15/17", 90mm-19/21"
HANDLEBAR	Velomann Flat top DB Alloy 6061-T6, width 720mm, diam. 31.8mm, 9° backsweep
GRIP / TAPE	T-one T-GP48B, one piece grip, TPR material, 130mm
SEATPOST	Velomann AL2014 shaft w/alloy head, diam. 27.2mm, 0mm seatback, length 350mm
SADDLE	Velomann, steel rails, PVC soft touch cover, 140mm width



MAGMA 9S - DEORE 1X12SP



THE IMAGE SHOWN IS INDICATIVE ONLY. Components and graphic details may differ from the actual model.

CODE	YQB11	TIRE	Kenda Booster 29x2.20, DTC compound, 30Tpi, wire, ETRTO 56-622
COLOR	6K - CK16/Black-White glossy, 6B - Black/CK16-White glossy	STEM	Tec Obvius 3D forged alloy 6061 anodized sandblasted, +/-7°, 1.1/8", diam. 31.8mm, length: 80mm-15/17", 90mm-19/21"
FRAME	Magma 29 alu, 1.1/8" HT, BSA 68mm, seatpost diam. 27.2mm, HDM bottom pull or Side-Swing, PM 160mm, BOOST 9x14mm QR, internal cable routing, sizes 15-17-19-21"	HANDLEBAR	Tec Obvius flat DB Alloy 6061-T6, width 720mm, diam. 31.8mm, 9° backsweep
SEATPOST CLAMP	339QX diam. 31.8mm, alloy clamp & lever	GRIP / TAPE	T-one T-GP48B, one piece grip, TPR material, 130mm
HEADSET	Fsa TH888 forged steel cups ID diam.34mm, stack height 12.8+11=23.8mm, w/15mm cap	SEATPOST	Tec, AL2014 shaft, alloy head, diam. 27.2mm, 0mm seatback, length: 350mm
FORK	Rock Shox Judy Silver TK 29" Solo Air, 100mm w/poploc remote left, 1.1/8" Alu HT, 9mm QR axle, 30mm stanchions, magnesium lowers, PM 160mm disc mount, 51mm offset	SADDLE	Tec Rector, 140mm width, Steel rails, Pvc soft touch cover
SHIFTER	Shimano Deore SL-M6100-R 1x12sp		
REAR DERAILLEUR	Shimano Deore RD-M6100 12sp		
CRANKSET	Shimano FC-MT511-1, 32T, crank length: 170mm-15", 175mm-17/21"		
BOTTOM BRACKET	included in the crankset		
CHAIN	Shimano CN-M6100, 12sp		
CASSETTE / FREEWHEEL	Shimano CS-M6100-12, 12sp, 10-51T		
BRAKE	Shimano BR-MT200, resin pad		
DISC ROTOR	Shimano SM-RT10 160mm, Center Lock, resin pad only		
FRONT HUB	Formula CL-1420 for Center Lock, 32h 100mm OLD, loose balls, axle length 108mm, w/QR		
REAR HUB	Shimano FH-MT401-B for Center Lock, 32h 141mm OLD BOOST, 12speed Microspline body		
RIM/WHEELSET	AlexRims DP2.5, 622x25c, 32h, Presta valve hole		



MAGMA 9.0 - NX 1X11SP



THE IMAGE SHOWN IS INDICATIVE ONLY. Components and graphic details may differ from the actual model.

CODE	YQBW6	TIRE	Kenda Booster 29x2.20, DTC compound, 30Tpi, wire, ETRTO 56-622
COLOR	6K - CK16/Black-White glossy	STEM	Velomann 3D forged Alloy 6061, +/-7°, 1.1/8mm, diam. 31.8mm, ext: 80mm-15/17", 90mm-19/21"
FRAME	Magma 29 alu, 1.1/8" HT, BSA 68mm, seatpost diam. 27.2mm, HDM bottom pull or Side-Swing, PM 160mm, BOOST 9x14mm QR, internal cable routing, sizes 15-17-19-21"	HANDLEBAR	Velomann Flat top DB Alloy 6061-T6, width 720mm, diam. 31.8mm, 9° backsweep
SEATPOST CLAMP	339QX diam. 31.8mm, alloy clamp & lever	GRIP / TAPE	T-one T-GP48B, one piece grip, TPR material, 130mm
HEADSET	Fsa TH888 forged steel cups ID diam.34mm, stack height 12.8+11=23.8mm, w/15mm cap	SEATPOST	Velomann AL2014 shaft w/alloy head, diam. 27.2mm, 0mm seatback, length 350mm
FORK	Rock Shox Judy TK 29" 100mm w/Remote Lockout, 1.1/8" steel HT, alloy crown, coil spring w/pre-load adjust, steel 30mm stanchions, magnesium lowers w/PM 160mm disc mount, 9mm QR	SADDLE	Velomann, steel rails, PVC soft touch cover, 140mm width
SHIFTER	Sram NX 11sp X-Actuation trigger		
REAR DERAILLEUR	Sram NX 11sp X-Horizon		
CRANKSET	Sram NX 32T X-Sync chainring		
BOTTOM BRACKET	Sram Power Spline BB-PS-A1		
CHAIN	Kmc X11 EPT finish, 11sp		
CASSETTE / FREEWHEEL	Sram PG-1130, 11-42T		
BRAKE	Tektro HD-M275		
DISC ROTOR	Tektro TR160-35, diam. 160mm		
FRONT HUB	Formula CL-1420 for Center Lock, 32h, 100mm OLD, loose balls, w/QR		
REAR HUB	Formula CL-2241 Disc, OLD 141mm, Center Lock, J-Bend, w/QR		
RIM/WHEELSET	Velomann DP2.5, 622x25c, 32 holes		



MAGMA 9.0 - DEORE 1X11SP



THE IMAGE SHOWN IS INDICATIVE ONLY. Components and graphic details may differ from the actual model.

CODE	YQBR9	RIM/WHEELSET	AlexRims DP2.5, 622x25c, 32h, Presta valve hole
COLOR	6K - CK16/Black-White glossy	TIRE	Kenda Booster 29x2.20, DTC compound, 30Tpi, wire, ETRTO 56-622
FRAME	Magma 29 alu, 1.1/8" HT, BSA 68mm, seatpost diam. 27,2mm, HDM bottom pull or Side-Swing, PM 160mm, BOOST 9x141mm QR, internal cable routing, sizes 15-17-19-21"	STEM	Tec Obvius 3D forged alloy 6061 anodized sandblasted, +/-7°, 1.1/8", diam. 31.8mm, lenght: 80mm-15/17", 90mm-19/21"
SEATPOST CLAMP	339QX diam. 31,8mm, alloy clamp & lever	HANDLEBAR	Tec Obvius flat DB Alloy 6061-T6, width 720mm, diam. 31,8mm, 9° backsweep
HEADSET	Fsa TH888 forged steel cups ID diam.34mm, stack height 12,8+11=23,8mm, w/15mm cap	GRIP / TAPE	T-one T-GP48B, one piece grip, TPR material, 130mm
FORK	Rock Shox Judy TK 29" 100mm w/Remote Lockout,1.1/8" steel HT, alloy crown, coil spring w/pre-load adjust, steel 30mm stanchions, magnesium lowers w/PM 160mm disc mount, 9mm QR	SEATPOST	Tec, AL2014 shaft, alloy head, diam. 27,2mm, 0mm seatback, length: 350mm
SHIFTER	Shimano Deore SL-M5100-R 1x11sp	SADDLE	Tec Rector, 140mm width, Steel rails, Pvc soft touch cover
REAR DERAILLEUR	Shimano Deore RD-M5100 1x11sp, 11-51T Max		
CRANKSET	Shimano FC-M5100-1, 32T, crank length: 170mm-15", 175mm-17/21"		
BOTTOM BRACKET	included in the crankset		
CHAIN	Kmc X11 EPT finish, 11sp		
CASSETTE / FREEWHEEL	Shimano CS-M5100-11, 11sp, 11-13-15-18-21-24-28-33-39-45-51T		
BRAKE	Shimano BR-MT200, resin pad		
DISC ROTOR	Shimano SM-RT10, 160mm front & rear, Center Lock, for resin pad only		
FRONT HUB	Formula CL-1420 for Center Lock, 32h 100mm OLD, loose balls, axle length 108mm, w/QR		
REAR HUB	Shimano FH-MT200-B for Center Lock, 32h, OLD 141mm		



MAGMA 9.2 - ALIVIO MIX 2X9SP

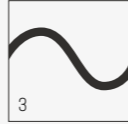


THE IMAGE SHOWN IS INDICATIVE ONLY. Components and graphic details may differ from the actual model.

CODE	YQBW2	FRONT HUB	Formula CL-1420 for Center Lock, 32h 100mm OLD, loose balls, axle length 108mm, w/QR
COLOR	6K - CK16/Black-White glossy, MB - Black/Silver-Yellow matt	REAR HUB	Formula CL-1422 for Center Lock, 32h 135mm OLD, loose balls, axle length 145mm, w/QR
FRAME	Magma 29" alu, 1.1/8" HT, BSA 68mm, seatpost diam. 27,2mm, low clamp FD diam. 31,8mm bottom pull or Side-Swing, PM 160mm, dropouts 9x135mm QR, internal cable routing, sizes 15-17-19-21"	RIM/WHEELSET	AlexRims DP2.5, 622x25c, 32h, Presta valve hole
SEATPOST CLAMP	339QX diam. 31,8mm, alloy clamp & lever	TIRE	Kenda Booster 29x2.20, DTC compound, 30Tpi, wire, ETRTO 56-622
HEADSET	Fsa TH888 forged steel cups ID diam.34mm, stack height 12,8+11=23,8mm, w/15mm cap	STEM	Tec 3D forged alloy 6061, +/-7°, 1.1/8", diam. 31.8mm, ext: 80mm-15/17", 90mm-19/21"
FORK	SR Suntour XCM HLO DS 29" 100mm, with HLO Hydraulic lockout, 1.1/8" steer HT, alloy crown, coil spring w/pre-load adjust, steel 30mm stanchions, alloy lowers w/PM 160mm disc mount, 9mm QR	HANDLEBAR	Tec PG Alloy 6061, width 700mm, diam. 31,8mm, rise 15mm, backsweep 9°
SHIFTER	Shimano Alivio SL-M3100 2x9sp	GRIP / TAPE	T-one T-GP48B, one piece grip, TPR material, 130mm
REAR DERAILLEUR	Shimano Alivio RDM3100 SGS 9sp top-normal, direct attachment, Shadow Design, max 11-36T	SEATPOST	Tec, AL2014 shaft, alloy head, diam. 27,2mm, 0mm seatback, length: 350mm
FRONT DERAILLEUR	Shimano FD-M2020-TS low clamp diam. 31,8mm, dual pull, 64/69°, for 36T w/14T capacity, CL 48.8/51.8mm	SADDLE	Tec Rector, 140mm width, Steel rails, Pvc soft touch cover
CRANKSET	Shimano FC-MT101-2, 36/22T, crank length: 170mm-15/17", 175mm-19/21"		
BOTTOM BRACKET	Shimano BB-UNI01, Axle LL123 (122,5mm)		
CHAIN	Kmc HV900 Z9 9sp		
CASSETTE / FREEWHEEL	Shimano HG200-9, 11-13-15-17-20-23-26-30-36T		
BRAKE	Shimano BR-MT200, resin pad		
DISC ROTOR	Shimano SM-RT10, 160mm front & rear, Center Lock, for resin pad only		



NEW DUEL



RIDING ON ROUGH TERRAIN
WITH DROPS OF LESS THAN 61 cm

Start your off-road adventure with the Duel. An aluminum frame hardtail ready to take on all terrains and level the trails. Ideal for the first-time mountain biker who wants to get out and explore their surroundings all day on a comfortable and sporty bike.

KEY FEATURES

- Aluminum frame in 27.5" and 29" with off-road geometry
- Semi-integrated Headset
- IS standard disc mount
- Carrier and mud-guards ready

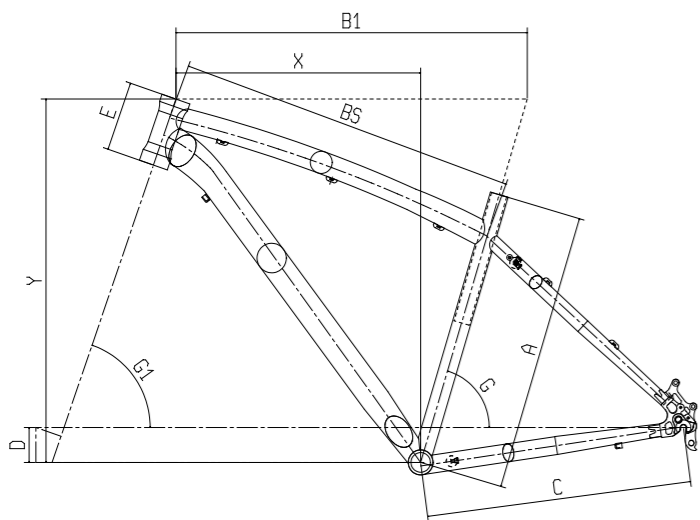
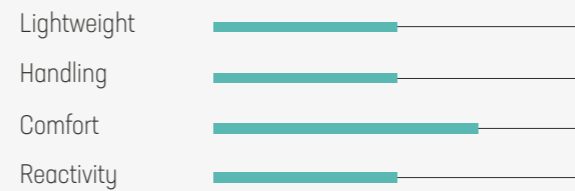
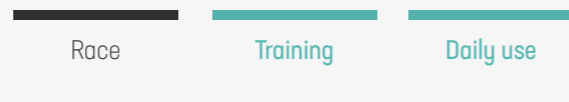
DESIGNED FOR

Beginners and young riders. A real mtb for sport, fitness rides and tourism.

COURSE/TERRAIN



ACTIVITY



GEOMETRY - 27.5"

SIZE	A	B1	BS	C	D	E	G	G1	Y	X	
XS	13"	340	535	539	440	50	110	73.5°	70°	591	360
S	15"	380	560	552	440	50	110	73.5°	71°	595	384
M	17"	430	580	563	440	50	120	73.5°	70°	605	401
L	19"	480	605	582	440	50	125	73.5°	71°	609	424
XL	21"	530	625	601	440	50	130	73.5°	71°	614	443

GEOMETRY - 29"

SIZE	A	B1	BS	C	D	E	G	G1	Y	X	
XS	15"	380	565	560	460	60	100	74°	70°	601	393
S	17"	430	590	574	460	60	110	73.5°	71°	615	408
M	19"	480	610	588	460	60	120	73.5°	71°	625	425
L	21"	530	630	605	460	60	130	73.5°	71°	634	442

DUEL 29S - ALIVIO MIX 2X9SP

CODE	YQBC8
COLOR	DA - CK16/Azzurra Blue, DB - Serial Black/Azzurra Blue
FRAME	Duel 29" alu, 1.1/8" HT, BSA 68mm, seatpost diam. 27,2mm, seat tube diam. 31,8mm, FD top pull, INTL 160mm disc mounting dropouts 9x135mm QR, external cable routing under TT, sizes 15-17-19-21"
SEATPOST CLAMP	339QX diam. 31,8mm, alloy clamp & lever
HEADSET	Fsa TH888 forged steel cups ID diam.34mm, stack height 12,8+11=23,8mm, w/15mm cap
FORK	SR Suntour XCM HLO DS 29" 100mm, with HLO Hydraulic lockout, 1-1/8" steer HT, alloy crown, coil spring w/pre-load adjust, steel 30mm stanchions, alloy lowers w/PM 160mm disc mount, 9mm QR
SHIFTER	Shimano Alivio SL-M3100 2x9sp
REAR DERAILLEUR	Shimano Alivio RDM3100 SGS 9sp top-normal, direct attachment, Shadow Design, max 11-36T
FRONT DERAILLEUR	Shimano FD-M2020-TS low clamp diam. 31,8mm, dual pull, 64/69°, for 36T w/14T capacity, CL 48.8/51.8mm
CRANKSET	Shimano FC-MT101-2, 36/22T, crank length: 170mm-15/17", 175mm-19/21"
BOTTOM BRACKET	Shimano BB-UN101, Axle LL123 (122,5mm)
CHAIN	Kmc HV900 Z9 9sp
CASSETTE / FREEWHEEL	Shimano HG200-9, 11-13-15-17-20-23-26-30-36T
BRAKE	Shimano BR-M200 w/rear adapter for IS 160mm, resin pad
DISC ROTOR	Shimano SM-RT10, 160mm front & rear, Center Lock, for resin pad only
FRONT HUB	Formula CL-1420 for Center Lock, 32h 100mm OLD, loose balls, axle length 108mm, w/QR

REAR HUB	Formula CL-1422 for Center Lock, 32h 135mm OLD, loose balls, axle length 145mm, w/QR
RIM/WHEELSET	AlexRims DP2.5, 622x25c, 32h, Presta valve hole
TIRE	Kenda Booster 29x2.20, DTC compound, 30Tpi, wire, ETRTO 56-622
STEM	Tec 3D forged alloy 6061, +/-7°, 1.1/8", diam. 31.8mm, ext: 80mm-15/17", 90mm-19/21"
HANDLEBAR	Tec PG Alloy 6061, width 700mm, diam. 31.8mm, rise 15mm, backsweep 9°
GRIP / TAPE	T-one T-GP48B, one piece grip, TPR material, 130mm
SEATPOST	Tec AL2014 shaft, alloy head, diam. 27.2mm, 0mm seatback, length: 300mm-15", 350mm-17/21"
SADDLE	Tec Rector, 140mm width, Steel rails, Pvc soft touch cover

**DUEL 27S** - ALIVIO MIX 2X9SP

CODE	YQBC7
COLOR	DA - CK16/Azzurra Blue, DB - Serial Black/Azzurra Blue
FRAME	Duel 27,5" alu, 1.1/8" HT, BSA 68mm, seatpost diam. 27,2mm, seat tube diam. 31,8mm, FD top pull, INTL 160mm disc mounting dropouts 9x135mm QR, ST w/V-Brake studs, external cable routing under TT, sizes 15-17-19-21"
SEATPOST CLAMP	339QX diam. 31,8mm, alloy clamp & lever
HEADSET	Fsa TH888 forged steel cups ID diam.34mm, stack height 12,8+11=23,8mm, w/15mm cap
FORK	SR Suntour XCM HLO DS 27,5" 100mm, with HLO Hydraulic Lockout, 1-1/8" steer HT, alloy crown, coil spring w/pre-load adjust, steel 30mm stanchions, alloy lowers w/PM 160mm disc mount, 9mm Qr
SHIFTER	Shimano Alivio SL-M3100 2x9sp
REAR DERAILLEUR	Shimano Alivio RDM3100 SGS 9sp top-normal, direct attachment, Shadow Design, max 11-36T
FRONT DERAILLEUR	Shimano FD-M2020-TS low clamp diam. 31,8mm, dual pull, 64/69°, for 36T w/14T capacity, CL 48.8/51.8mm
CRANKSET	Shimano FC-MT101-2, 36/22T, crank length: 170mm-15/17", 175mm-19/21"
BOTTOM BRACKET	Shimano BB-UN101, Axle LL123 (122,5mm)
CHAIN	Kmc HV900 (Z9) 9sp
CASSETTE / FREEWHEEL	Shimano HG200-9, 11-13-15-17-20-23-26-30-36T
BRAKE	Shimano BR-M200 w/rear adapter for IS 160mm, resin pad
DISC ROTOR	Shimano SM-RT10, 160mm front & rear, Center Lock, for resin pad only
FRONT HUB	Formula CL-1420 for Center Lock, 32h 100mm OLD, loose balls, axle length 108mm, w/QR
REAR HUB	Formula CL-1422 for Center Lock, 32h 135mm OLD, loose balls, axle length 145mm, w/QR

RIM/WHEELSET	AlexRims DP2.5, 584x25c, 32h, Presta valve
TIRE	Kenda Booster 27,5x2.2, DTC compound, 30Tpi, wire, ETRTO 56-584
STEM	Tec 3D forged alloy 6061, +/-7°, 1.1/8", diam. 31.8mm, ext: 80mm-15/17", 90mm-19/21"
HANDLEBAR	Tec PG Alloy 6061, width 700mm, diam. 31.8mm, rise 15mm, backsweep 9°
GRIP / TAPE	T-one T-GP48B, one piece grip, TPR material, 130mm
SEATPOST	Tec AL2014 shaft, alloy head, diam. 27.2mm, 0mm seatback, length: 300mm-15", 350mm-17/21"
SADDLE	Tec Rector, 140mm width, Steel rails, Pvc soft touch cover



CITY FITNESS

C-SPORT
SPILLO





BIKE FIT CHART

HEIGHT	C-SPORT	SPILLO
m 1,54 - m 1,64	mm 430	mm 430
m 1,65 - m 1,75	mm 470	mm 470
m 1,76 - m 1,86	mm 510	mm 510
m 1,87 - m 1,91	mm 550	mm 530
m 1,92 - m 1,98	mm 590	

WARNING

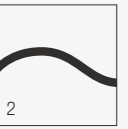
Please note that the bike fit chart is indicative only. Sizes and measurements may vary according to physical structure and product fit. The above measurements are referred to a Bianchi standard geometry. A consultation with a professional bike fitting expert is recommended.

C-SPORT

C-SPORT
C-SPORT CROSS



C-SPORT



RIDING ON PAVED AND UNPAVED ROADS
WITH DROPS OF LESS THAN 15 cm

Take on the city with the C-Sport fitness bike. Push yourself to ride harder, go faster and get fitter than ever before on this endurance workout bike. With light aluminum male- and female-specific frames, it's made for anyone pursuing a healthy lifestyle.

The C-Sport Cross knows no bounds, its knobbly tyres and front suspension fork are ready for anything.

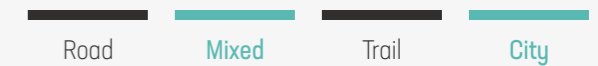
KEY FEATURES

- Lightweight aluminum frame for men and women
- Flat handlebar
- Heads-up riding position

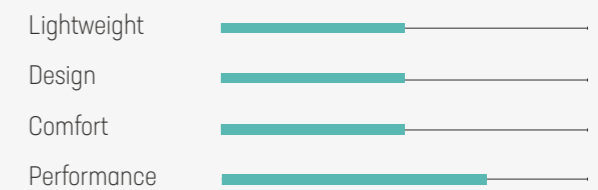
DESIGNED FOR

Anyone pursuing a healthy lifestyle.

COURSE/TERRAIN

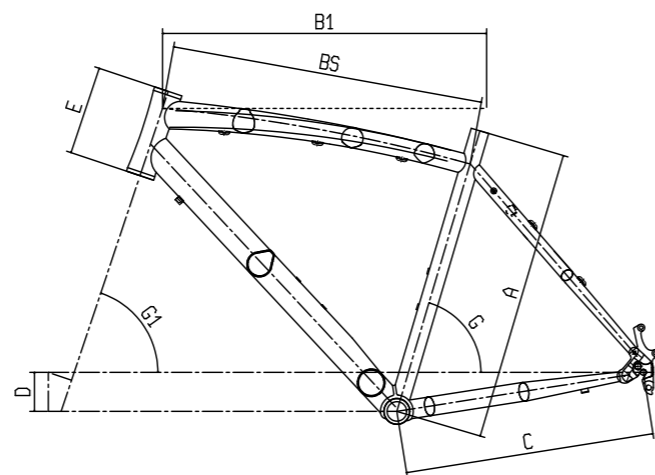


ACTIVITY

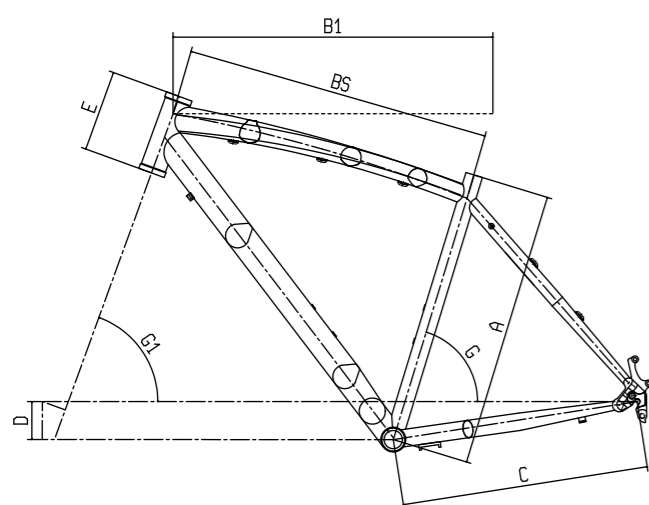
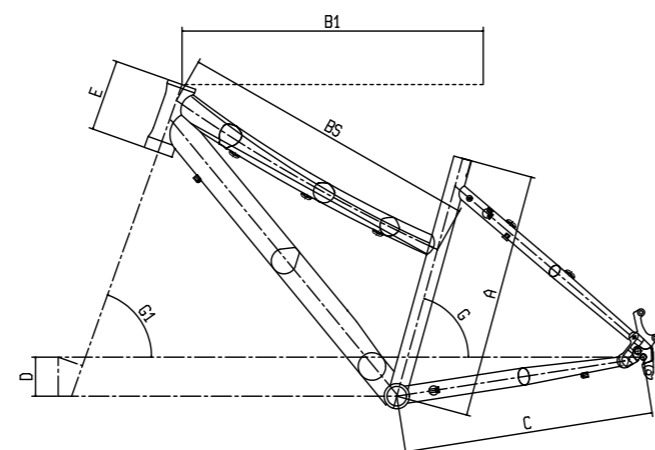


C-SPORT GENT DISC BRAKE

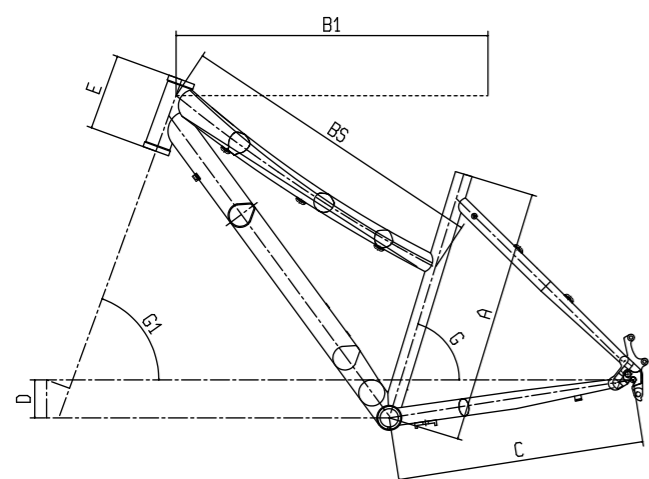
SIZE	A	B1	BS	C	D	E	G	G1
S	430	525	507	435	68	125	74.5°	71°
M	470	545	525	435	68	135	74°	71°
L	510	565	544	435	68	155	73.5°	71.5°
XL	550	585	563	435	68	185	73°	71°
XXL	590	605	585	435	68	210	73°	72°

**C-SPORT LADY DISC BRAKE**

SIZE	A	B1	BS	C	D	E	G	G1
S	480	525	508	435	68	125	74.5°	71°
M	470	545	524	435	68	135	74°	71°
L	510	565	542	435	68	155	73.5°	71.5°

**C-SPORT CROSS GENT DISC BRAKE**

SIZE	A	B1	BS	C	D	E	G	G1
S	430	525	545	455	65	140	73°	70°
M	470	575	550	455	65	140	73°	70°
L	510	590	564	455	65	150	73°	70°
XL	550	605	580	455	65	170	73°	70°

**C-SPORT CROSS LADY DISC BRAKE**

SIZE	A	B1	BS	C	D	E	G	G1
S	430	565	562	455	65	140	73°	70°
M	470	575	573	455	65	140	73°	70°

C-SPORT 3 - ALIVIO 2X9SP DISC

CODE	YQB55
COLOR	C1 - CK16/Black, KW - Black/Graphite
FRAME	C-Sport Gent alu disc, 700C Old 135mm, integrated cable routing, Smooth welding, 1.1/8" headtube (semi-integrated down HT tube and integrated in top HT tube). Seat tube 31.6mm, size: 43,47,51,55,59cm
SEATPOST CLAMP	MX-112C alloy, diam. 31,8mm
HEADSET	Fsa No.8B/ZS4D 1.1/8" Semi-Integrated lower part + Integrated upper part, w/cap 15mm
FORK	Bianchi Alu Disc, 1.1/8", Post mount, max tire size 700x40c
SHIFTER	Shimano Alivio SL-M3100 2x9sp
REAR DERAILLEUR	Shimano Alivio RD-T4000-SGS 9sp, Top Normal, Direct Attachment
FRONT DERAILLEUR	Shimano Acera FD-T3000-2-TS3
CRANKSET	Shimano FC-MT210-2 46-30T, crank length: 170mm-43/47cm, 175mm-51/59cm
BOTTOM BRACKET	included in the crankset
CHAIN	Kmc Z-99 9sp
CASSETTE / FREEWHEEL	Shimano CS-HG200-9, 11-13-15-17-20-23-26-30-36T
BRAKE	Shimano Altus BR-MT200, PM calipers, resin pad
BRAKE LEVER	Included w/brakeset
FRONT HUB	Formula CL-1420 Center Lock, 32hole, with QR
REAR HUB	Formula CL-1422 Center Lock, with QR
RIM/WHEELSET	Alex Rim ATD500 disc, alloy, 700c 622x19c, 32h, tubeless ready
TIRE	Kenda Kwick Tendril 700x38, 60TPI, w/3mm Kshield antipuncture insert

STEM	3D forged 6061 Alloy, 12" 31,8mm 1.1/8", ext: 70mm-43cm, 100mm-47/51cm, 120mm-55/59cm
HANDLEBAR	Alloy 6061 DB, width 620mm, flat bar, 9° bend, 31,8mm
GRIP / TAPE	Ergonomic Double density
SEATPOST	AL6061 shaft, alloy head, 15mm offset, 31,6mm, Length 350mm
SADDLE	Selle Royal Vivo Gent
PEDALS	VP classic traditional pedals w/reflector



C-SPORT 2 GENT - ACERA 24SP



CODE	YQBD3
COLOR	C1 - CK16/Black, KW - Black/Graphite
FRAME	C-Sport Gent alu disc, 700C Old 135mm, integrated cable routing, Smooth welding, 1.1/8" headtube (semi-integrated down HT tube and integrated in top HT tube). Seat tube 31.6mm, size: 43,47,51,55,59cm
SEATPOST CLAMP	MX-112C alloy, diam. 31,8mm
HEADSET	Fsa No.8B/ZS4D 1.1/8" Semi-Integrated lower part + Integrated upper part, w/cap 15mm
FORK	Bianchi Alu Disc, 1.1/8", Post mount, max tire size 700x40c
SHIFTER	Shimano ST-EF505 3x8sp
REAR DERAILLEUR	Shimano Acera RD-M360-L SGS 8sp, direct attachment
FRONT DERAILLEUR	Shimano Tourney FD-TY700-TS3, Top-Swing, Dual-Pull, Band Type (34.9mm), 63-66°, For 42T, CL: 47.5/50mm
CRANKSET	Shimano FC-TY301 42x34x24T, Crank length: 170mm-43/47cm, 175mm-51-55-59cm
BOTTOM BRACKET	Shimano BB-UN101, Spindle: Square Type, Shell: BSA 68mm, Spindle: 122.5mm
CHAIN	Kmc Z-72 8sp
CASSETTE / FREEWHEEL	Shimano CS-HG200-8, 8sp, 12-14-16-18-21-24-28-32T
BRAKE	Shimano BR-MT200, Resin pad
BRAKE LEVER	Included w/brakeset
DISC ROTOR	Shimano SM-RT10 diam. 160mm, Center Lock, Resin Pad only
FRONT HUB	Formula CL-1420 Center Lock, 32hole, 14G, OLD 100mm, with QR
REAR HUB	Formula CL-1422 Center Lock, 32hole, 14G, OLD 135mm, with QR

RIM/WHEELSET	AlexRims ATD500 disc, alloy, 700c 622x19 32H, tubeless ready
TIRE	Kenda Kwick Tendril 700x38, 60Tpi, w/Kshield 3mm antipunctures insert
STEM	3D forged AL6061, 12°, 31.8mm, 1.1/8", Ext: 70mm-43cm, 100mm-47/51cm, 120mm-55/59cm
HANDLEBAR	Alloy 6061 DB, flat bar, width: 620mm, 9° bend, 31.8mm
GRIP / TAPE	Bianchi Ergonomic Double density, Black/CK
SEATPOST	AL6061 shaft, alloy head, 15mm offset, diam. 31.6mm, length 350mm
SADDLE	Selle Royal Vivo Gent



C-SPORT 2 DAMA - ACERA 24SP



CODE	YQBD9
COLOR	C1 - CK16/Black, KW - Black/Graphite
FRAME	C-Sport Lady alu disc, 700C Old 135mm, integrated cable routing, Smooth welding, 1.1/8" head tube (semi-integrated down HT tube and integrated in top HT tube). Seat tube 31.6mm, size: 43,47,51,55cm
SEATPOST CLAMP	MX-112C alloy, diam. 31,8mm
HEADSET	Fsa No.8B/ZS4D 1.1/8" Semi-Integrated lower part + Integrated upper part, w/cap 15mm
FORK	Bianchi Alu Disc, 1.1/8", Post mount, max tire size 700x40c
SHIFTER	Shimano ST-EF505 3x8sp
REAR DERAILLEUR	Shimano Acera RD-M360-L SGS 8sp, direct attachment
FRONT DERAILLEUR	Shimano Tourney FD-TY700-TS3, Top-Swing, Dual-Pull, Band Type (34.9mm), 63-66°, For 42T, CL: 47.5/50mm
CRANKSET	Shimano FC-TY301 42x34x24T, Crank length: 170mm-43/47cm, 175mm-51/55cm
BOTTOM BRACKET	Shimano BB-UN101, Spindle: Square Type, Shell: BSA 68mm, Spindle: 122.5mm
CHAIN	Kmc Z-72 8sp
CASSETTE / FREEWHEEL	Shimano CS-HG200-8, 8sp, 12-14-16-18-21-24-28-32T
BRAKE	Shimano BR-MT200, Resin pad
BRAKE LEVER	Included w/brakeset
DISC ROTOR	Shimano SM-RT10 diam. 160mm, Center Lock, Resin Pad only
FRONT HUB	Formula CL-1420 Center Lock, 32hole, 14G, OLD 100mm, with QR
REAR HUB	Formula CL-1422 Center Lock, 32hole, 14G, OLD 135mm, with QR

RIM/WHEELSET	AlexRims ATD500 disc, alloy, 700c 622x19 32H, tubeless ready
TIRE	Kenda Kwick Tendril 700x38, 60Tpi, w/Kshield 3mm antipunctures insert
STEM	3D forged AL6061, 12°, 31.8mm, 1.1/8", Ext: 70mm-43cm, 100mm-47/51cm, 120mm-55cm
HANDLEBAR	Alloy 6061 DB, flat bar, width: 620mm, 9° bend, 31.8mm
GRIP / TAPE	Bianchi Ergonomic Double density, Black/CK
SEATPOST	AL6061 shaft, alloy head, 15mm offset, diam. 31.6mm, length 350mm
SADDLE	Selle Royal Vivo Lady



C-SPORT CROSS GENT - ACERA 24SP



THE IMAGE SHOWN IS INDICATIVE ONLY. Components and graphic details may differ from the actual model.

CODE	YQBB2
COLOR	1Z - Black/Graphite
FRAME	C-Sport Cross Gent Alu Disc, 700C OLD 135mm, integrated cable routing, Smooth welding, 1.1/8" semintegrated headset, seat tube diam. 31.6mm, size:43,47,51,55cm
SEATPOST CLAMP	MX-112C alloy, diam. 31,8mm
HEADSET	Fsa No.8B/ZS4D 1.1/8" Semi-Integrated lower part + Integrated upper part, w/cap 15mm
FORK	SR Suntour SF16-NEX-HLO-DS-700C, 63mm travel, Disc, 1.1/8" Steel steerer, steel stanchions, alloy blades, w/ lockout
SHIFTER	Shimano ST-EF505 3x8sp
REAR DERAILLEUR	Shimano Acera RD-M360-L SGS 8sp, direct attachment
FRONT DERAILLEUR	Shimano Tourney FD-TY700-TS3, Top-Swing, Dual-Pull, Band Type (34.9mm), 63-66°, For 42T, CL: 47.5/50mm
CRANKSET	Shimano FC-TY301 42x34x24T, Crank length: 170mm-43/47cm, 175mm-51/55cm
BOTTOM BRACKET	Shimano BB-UN101, Spindle:Square Type, Shell:BSA 68mm,Spindle:122.5mm
CHAIN	Kmc Z-72 8sp
CASSETTE / FREEWHEEL	Shimano CS-HG200-8, 8sp, 12-14-16-18-21-24-28-32T
BRAKE	Shimano BR-MT200, Resin pad
BRAKE LEVER	Included w/brakeset
DISC ROTOR	Shimano SM-RT10 diam. 160mm, Center Lock, Resin Pad only
FRONT HUB	Formula CL-1420 Center Lock, 32hole, 14G, OLD 100mm, with QR
REAR HUB	Formula CL-1422 Center Lock, 32hole, 14G, OLD 135mm, with QR

RIM/WHEELSET	AlexRims ATD500 disc, alloy, 700c 622x19 32H, tubeless ready
TIRE	Kenda 700x38, 60TPI, w/Kshield 3mm antipuncture insert
STEM	3D forged AL6061, 12°, 31.8mm, 1.1/8", Ext: 70mm-43cm, 100mm-47/51cm, 120mm-55/59cm
HANDLEBAR	Alloy 6061 DB, flat bar, width: 620mm, 9° bend, 31.8mm
GRIP / TAPE	Bianchi Ergonomic Double density, Black/CK
SEATPOST	AL6061 shaft, alloy head, 15mm offset, diam. 31.6mm, length 350mm
SADDLE	Selle Royal Vivo Gent



C-SPORT CROSS LADY - ACERA 24SP



THE IMAGE SHOWN IS INDICATIVE ONLY. Components and graphic details may differ from the actual model.

CODE	YQBB3
COLOR	1Z - Black/Graphite
FRAME	C-Sport Cross Lady Alu Disc, 700C, OLD 135mm, integrated cable routing, Smooth welding, 1.1/8" semintegrated headset. Seat tube diam. 31.6mm, size:43,47,51cm
SEATPOST CLAMP	MX-112C alloy, diam. 31,8mm
HEADSET	Fsa No.8B/ZS4D 1.1/8" Semi-Integrated lower part + Integrated upper part, w/cap 15mm
FORK	SR Suntour SF16-NEX-HLO-DS-700C, 63mm travel, Disc, 1.1/8" Steel steerer, steel stanchions, alloy blades, w/ lockout
SHIFTER	Shimano ST-EF505 3x8sp
REAR DERAILLEUR	Shimano Acera RD-M360-L SGS 8sp, direct attachment
FRONT DERAILLEUR	Shimano Tourney FD-TY700-TS3, Top-Swing, Dual-Pull, Band Type (34.9mm), 63-66°, For 42T, CL: 47.5/50mm
CRANKSET	Shimano FC-TY301 42x34x24T, Crank length: 170mm-43/47cm, 175mm-51/55cm
BOTTOM BRACKET	Shimano BB-UN101, Spindle:Square Type, Shell:BSA 68mm,Spindle:122.5mm
CHAIN	Kmc Z-72 8sp
CASSETTE / FREEWHEEL	Shimano CS-HG200-8, 8sp, 12-14-16-18-21-24-28-32T
BRAKE	Shimano BR-MT200, Resin pad
BRAKE LEVER	Included w/brakeset
DISC ROTOR	Shimano SM-RT10 diam. 160mm, Center Lock, Resin Pad only
FRONT HUB	Formula CL-1420 Center Lock, 32hole, 14G, OLD 100mm, with QR

REAR HUB	Formula CL-1422 Center Lock, 32hole, 14G, OLD 135mm, with QR
RIM/WHEELSET	AlexRims ATD500 disc, alloy, 700c 622x19 32H, tubeless ready
TIRE	Kenda 700x38, 60TPI, w/Kshield 3mm antipuncture insert
STEM	3D forged AL6061, 12°, 31.8mm, 1.1/8", Ext: 70mm-43cm, 100mm-47/51cm
HANDLEBAR	Alloy 6061 DB, flat bar, width: 620mm, 9° bend, 31.8mm
GRIP / TAPE	Bianchi Ergonomic Double density, Black/CK
SEATPOST	AL6061 shaft, alloy head, 15mm offset, diam. 31.6mm, length 350mm
SADDLE	Selle Royal Vivo Lady



SPILLO

SPILLO RUBINO



SPILLO



RIDING ON PAVED ROADS

The Spillo brings Italian style to the road. A bike that can do it all. Mudguards, lights and kickstands, it can take on the city all year round.

KEY FEATURES

- Aluminum frame for men and women
- Timeless Italian style and look
- Mudguards and rear carrier
- Kickstand

DESIGNED FOR

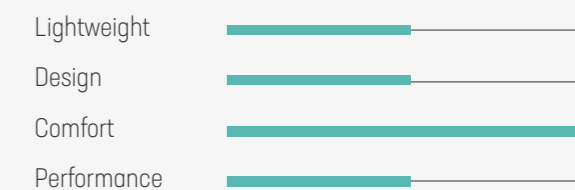
Urban commuting.

COURSE/TERRAIN

Road Mixed Trail **City**

ACTIVITY

Race Training **Daily use**



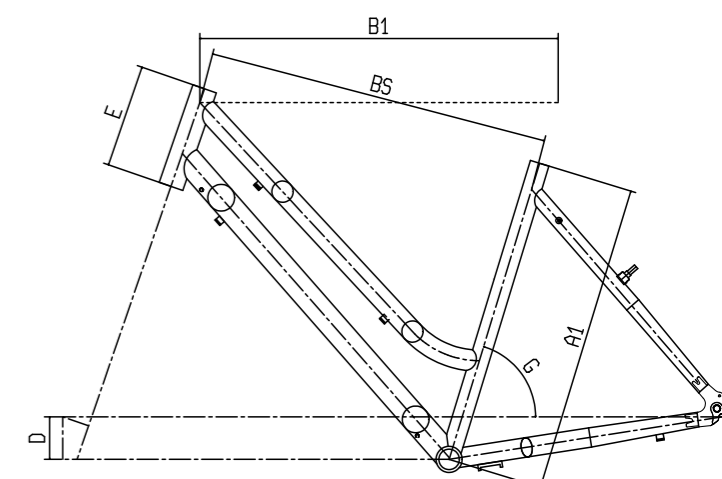
SPILLO RUBINO GENT



SIZE

A1	B1	BS	D	E	G
470	475	550	70	130	73°
510	590	566	70	150	73°
550	605	583	70	170	73°

SPILLO RUBINO LADY



SIZE

A1	B1	BS	D	E	G
430	565	540	70	150	73°
470	575	549	70	150	73°
510	590	565	70	170	73°

SPILLO RUBINO DELUXE GENT - 21SP



CODE	YEB5L	SADDLE	Selle Royal Rio, steel rails
COLOR	LK- Celeste vintage	PEDALS	Included
FRAME	Spillo Alloy 6061, 1.1/8" HT, OLD 135mm, sizes: 47-51-55cm	FRONT LIGHT	Spanninga Illico w/battery
SEATPOST CLAMP	Alloy, diam. 31.8mm w/QR	REAR LIGHT	Basta Spark Red w/batteries
HEADSET	1.1/8", Steel	REAR CARRIER	Steel
FORK	Bianchi Steel 1.1/8"	KICKSTAND	Alloy, adjustable
SHIFTER	Shimano ST-EF500 3x7sp	MUDGUARD	Rapido 46mm, w/rear mudflap, w/zinc coated bridges
REAR DERAILLEUR	Shimano Tourney RD-TY500 7sp, direct attachment		
FRONT DERAILLEUR	Shimano Tourney FD-TY510-TS3, top-swing w/31.8mm adapter, 63-66° for 48T, CL:47.5/50mm		
CRANKSET	Crankset w/48x38x28T chainrings, crank length: 170mm		
BOTTOM BRACKET	Bsa 68mm, axle length 127mm		
CHAIN	Kmc Z51 7sp		
CASSETTE / FREEWHEEL	Shimano TZ500 7sp 14-28T		
BRAKE	V-Brake, alloy		
BRAKE LEVER	included w/shifters		
FRONT HUB	Alloy, 36 h, 9x100x108mm w/QR		
REAR HUB	Alloy, 36 h, 130x145mm, w/QR		
RIM/WHEELSET	Freeway, Alloy double wall, 622X19, 36 holes		
TIRE	CST Xpedium 700x35, 37-622, 26TPI		
STEM	Alloy, adjustable diam. 25.4mm, ext: 90mm, quill length:180mm		
HANDLEBAR	Alloy, width 590mm, rise 26mm, diam. 25.4mm, 33° backsweep		
GRIP / TAPE	Herrmans 120mm		
SEATPOST	Aluminum, diam 27.2mm, length 350mm		



SPILLO RUBINO DELUXE LADY - 21SP



CODE	YEB5M	SEATPOST	Aluminum, diam 27.2mm, length 350mm
COLOR	LK- Celeste vintage	SADDLE	Selle Royal Rio, steel rails
FRAME	Spillo Alloy 6061 Lady, 1.1/8" HT, OLD 135mm, sizes 43-47-51cm	PEDALS	Included
SEATPOST CLAMP	Alloy, diam. 31.8mm w/QR	FRONT LIGHT	Spanninga Illico w/battery
HEADSET	1.1/8", Steel	REAR LIGHT	Basta Spark Red w/batteries
FORK	Bianchi Steel, 1.1/8" w/light support	REAR CARRIER	Steel
SHIFTER	Shimano ST-EF500 3x7sp	KICKSTAND	Alloy, adjustable
REAR DERAILLEUR	Shimano Tourney RD-TY500 7sp, direct attachment	MUDGUARD	Rapido 46mm, w/rear mudflap, w/zinc coated bridges
FRONT DERAILLEUR	Shimano Tourney FD-TY510-TS3, top-swing w/31.8mm adapter, 63-66° for 48T, CL:47.5/50mm		
CRANKSET	Crankset w/48x38x28T chainrings, crank length: 170mm		
BOTTOM BRACKET	Bsa 68mm, axle length 127mm		
CHAIN	Kmc Z51 7sp		
CASSETTE / FREEWHEEL	Shimano TZ500 7sp 14-28T		
BRAKE	V-Brake, alloy		
BRAKE LEVER	included w/shifters		
FRONT HUB	Alloy, 36 h, 9x100x108mm w/QR		
REAR HUB	Alloy, 36 h, 130x145mm, w/QR		
RIM/WHEELSET	Freeway, Alloy double wall, 622X19, 36 holes		
TIRE	CST Xpedium 700x35, 37-622, 26TPI		
STEM	Alloy, adjustable diam. 25.4mm, ext: 90mm, quill length:180mm		
HANDLEBAR	Alloy, width 590mm, rise 26mm, diam. 25.4mm, 33° backsweep		
GRIP / TAPE	Herrmans 120mm		





Eroica[®]

Bianchi Granfondo Internazionale
FELICE GIMONDI

[EU]

#RIDEBIANCHI



BIANCHI

MEMBER OF



F.I.V.E BIANCHI S.P.A

VIA DELLE BATTAGLIE, 5 24047 TREVIGLIO / BG - T +39 0363 3161 - F + 39 0363 075045

bianchi@bianchi.com